

1.

VektorkalkylUppgift 1.1 (Sid. 1)Lösning

$$\left. \begin{aligned} (1) \ a \cdot b &= (1, 2, 2) \cdot (2, -2, 1) = 2 - 4 + 2 = 0 \Leftrightarrow a \perp b \\ (2) \ a \cdot c &= (1, 2, 2) \cdot (2, 1, -2) = 2 + 2 - 4 = 0 \Leftrightarrow a \perp c \\ (3) \ b \cdot c &= (2, -2, 1) \cdot (2, 1, -2) = 4 - 2 - 2 = 0 \Leftrightarrow b \perp c \end{aligned} \right\} \Rightarrow$$

$$\Rightarrow \underline{a \perp b \perp c \perp a}, \text{ v.s.v.}$$

Uppgift 1.2 (Sid. 1)Lösning

$$\begin{aligned} (1) \ a \cdot b &= (1, 1, 0) \cdot (1, 0, 1) = 1 + 0 + 0 = 1 \\ (2) \ |a| &= \sqrt{1^2 + 1^2 + 0^2} = \sqrt{2}; \quad |b| = \sqrt{1^2 + 0^2 + 1^2} = \sqrt{2}; \\ (3) \ a \cdot b &= |a| \cdot |b| \cos \theta \Leftrightarrow 1 = 2 \cos \theta \Leftrightarrow \cos \theta = \frac{1}{2} \Rightarrow \underline{\theta = \frac{\pi}{3}}. \end{aligned}$$

Övning 1.3 (Sid. 1)Lösning:

$$\underline{u = (1, 2, a)}, \quad \underline{v = (1, 1, 0)}, \quad \underline{w = (0, 1, 1)}.$$

$$\left. \begin{aligned} u \cdot v &= |u| \cdot |v| \cos \theta \\ u \cdot w &= |u| \cdot |w| \cos \theta \end{aligned} \right\} \Rightarrow \frac{u \cdot v}{u \cdot w} = \frac{|u| \cdot |v| \cos \theta}{|u| \cdot |w| \cos \theta} = \frac{|v|}{|w|} \Leftrightarrow$$

$$\Leftrightarrow \frac{(1, 2, a) \cdot (1, 1, 0)}{(1, 2, a) \cdot (0, 1, 1)} = 1 \Leftrightarrow \frac{3}{2+a} = 1 \Leftrightarrow \underline{a = 1}.$$

Uppgift 1.3 (Sid. 1)Lösning

Antag att $u = (a, b, c)$ är normerad till 1 och att u är ortogonal mot såväl $v = (-1, 0, 1)$ som $w = (1, 1, 1)$.

$$\left. \begin{aligned} (1) \ u \perp v &\Rightarrow u \cdot v = (a, b, c) \cdot (-1, 0, 1) = -a + c = 0 \\ (2) \ u \perp w &\Rightarrow u \cdot w = (a, b, c) \cdot (1, 1, 1) = a + b + c = 0 \\ (3) \ |u| = 1 &\Rightarrow a^2 + b^2 + c^2 = 1 \end{aligned} \right\} \Rightarrow$$

$$\Rightarrow \begin{cases} a = c \\ b = -2c \\ a^2 + b^2 + c^2 = 1 \end{cases} \Leftrightarrow \begin{cases} a = c \\ b = -2c \\ 6c^2 = 1 \end{cases} \Leftrightarrow \begin{cases} a = c \\ b = -2c \\ c^2 = 1/6 \end{cases} \Leftrightarrow \begin{cases} a = c \\ b = -2c \\ c = \pm 1/\sqrt{6} \end{cases}$$

$$\Leftrightarrow \underline{u_1 = \left(\frac{1}{\sqrt{6}}, -\frac{2}{\sqrt{6}}, \frac{1}{\sqrt{6}}\right)} \vee \underline{u_2 = \left(-\frac{1}{\sqrt{6}}, \frac{2}{\sqrt{6}}, -\frac{1}{\sqrt{6}}\right)}.$$

Anm. $u_1 = -u_2$, dvs $u_1 \parallel u_2$.

Uppgift 1.5 (Sid. 1)

Lösning

$\underline{u} = (1, 1, 1), \underline{v} = (1, 0, a), \underline{w} = (3, 4, -7)$

(1) $u \perp u \times v \perp v$ (def. på kryssprodukten).

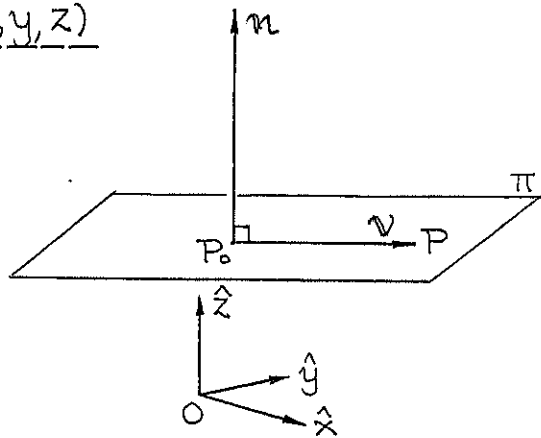
(2) $w \parallel u \times v \Rightarrow v \perp w \Leftrightarrow v \cdot w = (1, 0, a) \cdot (3, 4, -7) = 3 - 7a = 0 \Leftrightarrow 7a = 3 \Leftrightarrow \underline{a = \frac{3}{7}}$

Uppgift 1.6 (Sid. 1)

Lösning

$\underline{P}_0: (1, 2, 3); \underline{n} = (4, 5, 6)$

$\underline{P}: (x, y, z)$



$n \perp v \Leftrightarrow n \cdot v = 0 \Leftrightarrow n \cdot \overrightarrow{P_0P} = n \cdot (\overrightarrow{OP} - \overrightarrow{OP_0}) = 0 \Leftrightarrow$

$\Leftrightarrow (4, 5, 6) \cdot (x-1, y-2, z-3) = 4(x-1) + 5(y-2) + 6(z-3) = 0$

$\Leftrightarrow 4x + 5y + 6z - 4 - 10 - 18 = 0 \Leftrightarrow 4x + 5y + 6z - 32 = 0$

Svar: $\pi: 4x + 5y + 6z = 32$

Uppgift 1.6 (Sid. 1)

Lösning

$\underline{P}_1: (1, 2, 3), \underline{P}_2: (3, 3, 5), \underline{P}_3: (3, 1, 6)$

Planets ekvation är av formen

$\pi: Ax + By + Cz = D$

$$\begin{cases} P_1 \in \pi \Rightarrow A + 2B + 3C = D & \textcircled{-3} \\ P_2 \in \pi \Rightarrow 3A + 3B + 5C = D \\ P_3 \in \pi \Rightarrow 3A + B + 6C = D \end{cases} \Leftrightarrow \begin{cases} A + 2B + 3C = D \\ -3B - 4C = -2D \\ -5B - 3C = -2D \end{cases}$$

$$\Leftrightarrow \begin{cases} A + 2B + 3C = D \\ 3B + 4C = 2D & \textcircled{-2} \\ 5B + 3C = 2D \end{cases} \Leftrightarrow \begin{cases} A + 2B + 3C = D \\ 3B + 4C = 2D \\ -B - 5C = -2D & \textcircled{3} \textcircled{2} \end{cases}$$

$$\Leftrightarrow \begin{cases} A - 7C = -3D \\ -11C = -4D & \textcircled{1/11} \\ B + 5C = 2D \end{cases} \Leftrightarrow \begin{cases} A - 7C = -3D \\ C = 4D/11 & \textcircled{7} \textcircled{-5} \\ B + 5C = 2D \end{cases}$$

$$\Leftrightarrow \begin{cases} A = -5D/11 \\ B = 2D/11 \\ C = 4D/11 \end{cases} \Rightarrow -\frac{5}{11}Dx + \frac{2}{11}Dy + \frac{4}{11}Dz = D \Rightarrow$$

$$\Rightarrow /D = -11/ \Rightarrow \underline{5x - 2y - 4z = -11.}$$

$$\underline{\text{Svar: } \pi: 5x - 2y - 4z + 11 = 0.}$$

Annann lösning

$$\left. \begin{aligned} \mathbf{u} &= \overrightarrow{P_1 P_2} = \overrightarrow{OP_2} - \overrightarrow{OP_1} = (3, 3, 5) - (1, 2, 3) = (2, 1, 2) \\ \mathbf{v} &= \overrightarrow{P_1 P_3} = \overrightarrow{OP_3} - \overrightarrow{OP_1} = (3, 1, 6) - (1, 2, 3) = (2, -1, 3) \end{aligned} \right\} \Rightarrow$$

$$\Rightarrow \mathbf{n} = \mathbf{u} \times \mathbf{v} = \begin{vmatrix} \hat{x} & \hat{y} & \hat{z} \\ 2 & 1 & 2 \\ 2 & -1 & 3 \end{vmatrix} = 5\hat{x} - 2\hat{y} - 4\hat{z} = (5, -2, -4) \Rightarrow$$

$$\pi: 5x - 2y - 4z = k; P_1 \in \pi \Rightarrow k = 5 \cdot 1 - 2 \cdot 2 - 4 \cdot 3 = -11.$$

Anm. $Ax + By + Cz = D$ är ekvationen för ett plan med normalvektorn $\mathbf{n} = (A, B, C)$.

Det mesta under rubriken "vektorkalkyl" genomgås i den linjära algebran; vektorema skall i denna kurs vara radvektorer.

2. Ytor, normaler

Uppgift 2.1 (Sid. 1)

Lösning

$$S: \underline{4x^2 + 4y^2 + z^2 = 4}; P_0: \underline{(\frac{1}{2}, \frac{1}{2}, \sqrt{2})}.$$

$f(x, y, z) = 4x^2 + 4y^2 + z^2 \Rightarrow f(x, y, z) = f(P_0) \Rightarrow S$ är en nivåyta till f (som omfattar P_0).

$$\text{grad} f(x, y, z) = \left(\frac{\partial f}{\partial x}, \frac{\partial f}{\partial y}, \frac{\partial f}{\partial z} \right) = (8x, 8y, 2z);$$

$$\mathbf{n} = \text{grad} f(P_0) = (4, 4, 2\sqrt{2}) = 2(2, 2, \sqrt{2}) = 2 \cdot \mathbf{v};$$

Tangentplanetns ekvation blir alltså

$$(2, 2, \sqrt{2}) \cdot (x - \frac{1}{2}, y - \frac{1}{2}, z - \sqrt{2}) = 0 \Leftrightarrow \underline{2x + 2y + \sqrt{2}z = 4.}$$

Anm. Låt S vara ytan som består av punkterna (x, y, z) s.a. $f(x, y, z) = k$, där k är en konstant. S 's tangentplan i planen

$P_0: (x_0, y_0, z_0)$ definieras av

$$\text{grad} f(P_0) \cdot (x - x_0, y - y_0, z - z_0) = 0.$$

om $\text{grad} f(P_0) \neq 0$. Tangentplanet är alltså

$$\pi = \{(x, y, z) : \text{grad}f(P_0) \cdot (x - x_0, y - y_0, z - z_0) = 0\}.$$

Uppgift 2.2 (Sid. 1)

Lösning

$$f(x, y, z) = x^2 + y^2 + z^2 \Rightarrow \text{grad}f(x, y, z) = 2(x, y, z) \Rightarrow$$

$$n = \text{grad}f\left(\frac{1}{\sqrt{3}}, \frac{1}{\sqrt{3}}, \frac{1}{\sqrt{3}}\right) = 2\left(\frac{1}{\sqrt{3}}, \frac{1}{\sqrt{3}}, \frac{1}{\sqrt{3}}\right) = \frac{2}{\sqrt{3}}(1, 1, 1) \Rightarrow$$

$$\hat{n} = \frac{n}{|n|} = \left(\frac{1}{\sqrt{3}}, \frac{1}{\sqrt{3}}, \frac{1}{\sqrt{3}}\right).$$

Uppgift 2.3 (Sid. 1)

Lösning

$$f(x, y, z) = x^2 + 2xy + 2xz - 2x + 2y + 2z - 2; f(0, 1, 0) = 0.$$

$$g(x, y, z) = x - y + z + 1; g(0, 1, 0) = 0.$$

Vinkeln mellan ytorna $S_1: f(x, y, z) = 0$ och

$S_2: g(x, y, z) = 0$ i punkten $P_0: (0, 1, 0)$ är

lika med vinkeln mellan motsvarande

tangentplan π_1 resp π_2 dvs vinkeln mellan

dessas normaler; normalerna är parallella med gradienterna $\nabla f(P_0)$ resp. $\nabla g(P_0)$ så det gäller att bestämma vinkeln mellan $\nabla f(P_0)$ och $\nabla g(P_0)$.

$$\nabla f(x, y, z) = \left(\frac{\partial f}{\partial x}, \frac{\partial f}{\partial y}, \frac{\partial f}{\partial z}\right) = (2x + 2y + 2z - 2, 2x + 2, 2x + 2)$$

$$\left. \begin{array}{l} \nabla f(0, 1, 0) = (0, 2, 2) \\ \nabla g(0, 1, 0) = (1, -1, 1) \end{array} \right\} \Rightarrow \nabla f(P_1) \cdot \nabla g(P_1) = 0 \Rightarrow \underline{S_1 \perp S_2}.$$

Svar: Vinkeln $\frac{\pi}{2}$.

Uppgift 2.4 (Sid. 1)

Lösning

$$a) x^2 - 2y^2 - 2z = 0 \Leftrightarrow 2z = x^2 - 2y^2 \Leftrightarrow z = \frac{x^2}{2} - y^2 \Rightarrow$$

$$\Rightarrow \begin{cases} x = 2u \\ y = v \\ z = 2u^2 - v^2 \end{cases} \Rightarrow \underline{\gamma: r(u, v) = (2u, v, 2u^2 - v^2)}.$$

$$b) x^2 - 2y^2 = 6 \Leftrightarrow \frac{x^2}{6} - \frac{y^2}{3} = 1 \Rightarrow \begin{cases} x = \sqrt{6} \cosh u \\ y = \sqrt{3} \sinh u \\ z = v \end{cases} \Rightarrow$$

$$\Rightarrow \underline{\gamma: r(u, v) = (\sqrt{6} \cosh u, \sqrt{3} \sinh u, v)}.$$

Uppgift 2.5 (Sid. 1)

Lösning

a) $\gamma: r(u,v) = (2u, v, 2u^2 - v^2);$

$$r(u_0, v_0) = (2, 1, 1) \Leftrightarrow (u_0, v_0) = (1, 1);$$

$$\left. \begin{array}{l} r'_u = (2, 0, 4u) \Rightarrow r'_u(1, 1) = (2, 0, 4) \\ r'_v = (0, 1, -2v) \Rightarrow r'_v(1, 1) = (0, 1, -2) \end{array} \right\} \Rightarrow n = r'_u \times r'_v =$$

$$= \begin{vmatrix} \hat{x} & \hat{y} & \hat{z} \\ 2 & 0 & 4 \\ 0 & 1 & -2 \end{vmatrix} = \underline{\underline{(-4, 4, 2)}}.$$

b) $F(x, y, z) = x^2 - 2y^2 - 2z \Rightarrow \text{grad} F(x, y, z) = (2x, -4y, -2)$

$$\Rightarrow v = \text{grad} F(2, 1, 1) = \underline{\underline{(4, -4, -2)}}.$$

Svar: a) $n = (-2, 2, 1);$ b) $n = (2, -2, -1).$

Uppgift 2.6 (Sid. 1)

Lösning

$$\underline{\underline{\gamma: r(t, u) = (e^t, e^{-t}, u), 0 \leq t, u < \infty.}}$$

(1) $r(t_0, u_0) = (1, 1, 1) \Leftrightarrow (e^{t_0}, e^{-t_0}, u_0) = (1, 1, 1) \Leftrightarrow$

$$\Leftrightarrow \underline{\underline{t_0 = 0}} \wedge \underline{\underline{u = 1.}}$$

forts

$$(2) \left\{ \begin{array}{l} r'_t = (e^t, -e^{-t}, 0) \Rightarrow r'_t(0, 1) = (1, -1, 0) \\ r'_u = (0, 0, 1) = r'_u(0, 1) \end{array} \right\} \Rightarrow n = r'_t \times r'_u =$$

$$= (\hat{x} - \hat{y}) \times \hat{z} = (-1, -1, 0) \Rightarrow n = (1, 1, 0) \text{ normal-vektor i punkten } (1, 1, 1).$$

(3) Tangentplanets ekvation blir således

$$(1, 1, 0) \cdot (x-1, y-1, z-1) = 0 \Leftrightarrow \underline{\underline{x+y=2.}}$$

Uppgift 2.8 (Sid. 2)

Lösning

$$f(x, y, z) = x^2 + y^2 \Rightarrow \text{grad} f(x, y, z) = (2x, 2y, 0) \Rightarrow$$

$$\Rightarrow |\text{grad} f(x, y, z)| = 2\sqrt{x^2 + y^2} = 2 \cdot 2 = 4, \text{ ty } x^2 + y^2 = 4;$$

$$\hat{n} = -\frac{\nabla f}{|\nabla f|} = -\frac{1}{4}(2x, 2y, 0) = \underline{\underline{(-\frac{x}{2}, -\frac{y}{2}, 0)}}.$$

Uppgift 2.9 (Sid. 2)

Lösning

$$S: \underline{\underline{f(x, y) = 2x^3 - x^2y - y^2 - 2y + 11; P_0: (2, 3, 0).}}$$

Vinkeln mellan tangentplanet π till S i P_0

och xy -planet är lika med vinkeln mellan deras normaler.

$$F(x,y,z) = z - f(x,y) = z - 2x^3 + x^2y + y^2 + 2y - 11;$$

$$\nabla F(x,y,z) = (-6x^2 + 2xy, x^2 + 2y + 2, 1) \Rightarrow \underline{\nabla F(P_0)} = \underline{(-12, 12, 1)}.$$

Vinkeln (det är den spetsiga som avses) är θ .

$$\nabla F(P_0) \cdot \hat{z} = |\nabla F(P_0)| \cdot 1 \cdot \cos\theta \Rightarrow 1 = 17 \cos\theta \Leftrightarrow \cos\theta = \frac{1}{17}$$

Svar: Vinkeln ifråga är $\arccos \frac{1}{17} \approx 1,51 \text{ rad} \approx 86,6^\circ$.

Övning 2.10 (Sid. 2)

Lösning: $P_0: (x_0, y_0, z_0)$.

$$f(x,y,z) = x^3 + y^3 + 2z^3 \Rightarrow \text{grad}f(x,y,z) = (3x^2, 3y^2, 6z^2)$$

$$\Rightarrow \text{grad}f(P_0) = 3(x_0^2, y_0^2, 2z_0^2) = 3 \cdot n, \quad n \text{ normal.}$$

Tangentplanetets ekvation är

$$\pi: (x_0^2, y_0^2, 2z_0^2) \cdot (x - x_0, y - y_0, z - z_0) = 0 \Leftrightarrow$$

$$\Leftrightarrow \pi: x_0^2 x + y_0^2 y + 2z_0^2 z = x_0^3 + y_0^3 + 2z_0^3 = 1.$$

$$\underline{P_1: (2, 2, 1) \in \pi} \Rightarrow 2x_0^2 + 2y_0^2 + 2z_0^2 = 1 \Leftrightarrow x_0^2 + y_0^2 + z_0^2 = \frac{1}{2};$$

Svar: Det sökta avståndet är $1/\sqrt{2}$.

Uppgift 2.11 (Sid. 2)

Lösning $P_0: (1, -2, 1)$

$$S_1: f(x,y,z) = xy^2z - 3x - z^2; \quad S_2: g(x,y,z) = 3x^2 - y^2 + 2z$$

$$\left. \begin{array}{l} f(1, -2, 1) = 0 \Rightarrow P_0 \in S_1 \\ g(1, -2, 1) = 1 \Rightarrow P_0 \in S_2 \end{array} \right\} \Rightarrow P_0 \in S_1 \cap S_2$$

Vinkeln mellan S_1 och S_2 i den gemensamma punkten P_0 är lika med vinkeln mellan deras tangentplan i P_0 , dvs vinkeln mellan deras normaler (gradienter):

$$\nabla f(x,y,z) = (y^2z - 3, 2xyz, xy^2 - 2z) \Rightarrow \nabla f(P_0) = (1, -4, 2);$$

$$\nabla g(x,y,z) = (6x, -2y, 2) \Rightarrow \nabla g(P_0) = (6, 4, 2) = 2(3, 2, 1);$$

$$(1, -4, 2) \cdot (3, 2, 1) = \sqrt{21} \cdot \sqrt{14} \cos\theta \Leftrightarrow -3 = 7\sqrt{6} \cos\theta \Rightarrow$$

$$\Rightarrow \cos\theta = -\frac{3}{7\sqrt{6}} = -\frac{\sqrt{6}}{14} \Leftrightarrow \theta = \pi - \arccos \frac{\sqrt{6}}{14}.$$

Svar: $\arccos \frac{\sqrt{6}}{14}$. (Det är den spetsiga som avses.)

3.

Areor

Arean $\mathcal{A}(S)$ av en parametriserad yta definieras av

$$\mathcal{A}(D) = \iint_D |\mathbf{r}'_u \times \mathbf{r}'_v| \, du \, dv$$

där $|\mathbf{r}'_u \times \mathbf{r}'_v|$ är "normen" av $\mathbf{r}'_u \times \mathbf{r}'_v$. Om S är unionen av S_i , blir $\mathcal{A}(S)$ summan av delareorna, $\sum_i \mathcal{A}(S_i)$.

Uppgift 3.1 (Sid. 2)Lösning

$$\underline{z = f(x, y) := \frac{2}{3}(x^{3/2} + y^{3/2}), \quad D = [0, 1].}$$

$$\left. \begin{array}{l} x = u^2 \\ y = v^2 \end{array} \right\} \Rightarrow z = f(u^2, v^2) = \frac{2}{3}(u^3 + v^3), \quad 0 \leq u, v \leq 1;$$

$$\underline{S: \mathbf{r}(u, v) = (u^2, v^2, \frac{1}{2}(u^3 + v^3)), \quad D = [0, 1] \times [0, 1].}$$

$$\mathbf{r}'_u \times \mathbf{r}'_v = \hat{x} \begin{vmatrix} \frac{\partial y}{\partial u} & \frac{\partial y}{\partial v} \\ \frac{\partial z}{\partial u} & \frac{\partial z}{\partial v} \end{vmatrix} + \hat{y} \begin{vmatrix} \frac{\partial z}{\partial u} & \frac{\partial z}{\partial v} \\ \frac{\partial x}{\partial u} & \frac{\partial x}{\partial v} \end{vmatrix} + \hat{z} \begin{vmatrix} \frac{\partial x}{\partial u} & \frac{\partial x}{\partial v} \\ \frac{\partial y}{\partial u} & \frac{\partial y}{\partial v} \end{vmatrix} =$$

$$= \begin{vmatrix} 0 & 2v \\ 2u^2 & 2v^2 \end{vmatrix} \hat{x} + \begin{vmatrix} 2u^2 & 2v^2 \\ 2u & 0 \end{vmatrix} \hat{y} + \begin{vmatrix} 2u & 0 \\ 0 & 2v \end{vmatrix} \hat{z} =$$

$$= -4u^2v \hat{x} - 4uv^2 \hat{y} + 4uv \hat{z} = -4uv(u, v, -1) \Rightarrow$$

$$\Rightarrow |\mathbf{r}'_u \times \mathbf{r}'_v| = |-4uv(u, v, -1)| = 4uv \sqrt{u^2 + v^2 + 1} \Rightarrow$$

$$\begin{aligned} \mathcal{A}(S) &= \iint_D 4uv \sqrt{u^2 + v^2 + 1} \, du \, dv = \\ &= \int_0^1 \left(\int_0^1 \sqrt{u^2 + v^2 + 1} \, 2u \, du \right) 2v \, dv = \\ &= \int_0^1 \left[\frac{2}{3} (u^2 + v^2 + 1)^{3/2} \right]_{u=0}^{u=1} 2v \, dv = \\ &= \frac{2}{3} \int_0^1 \left((v^2 + 2)^{3/2} - (v^2 + 1)^{3/2} \right) 2v \, dv = \\ &= \frac{2}{3} \cdot \left[\frac{2}{5} \left((u^2 + 2)^{5/2} - (u^2 + 1)^{5/2} \right) \right]_0^1 = \\ &= \frac{4}{15} (3^{5/2} - 2^{5/2} - 2^{5/2} + 1) = \frac{4}{15} (3^{5/2} - 2 \cdot 2^{5/2} + 1) = \\ &= \underline{\underline{\frac{4}{15} (9\sqrt{3} - 8\sqrt{2} + 1)}}. \end{aligned}$$

Uppgift 2.2 (Sid. 2)

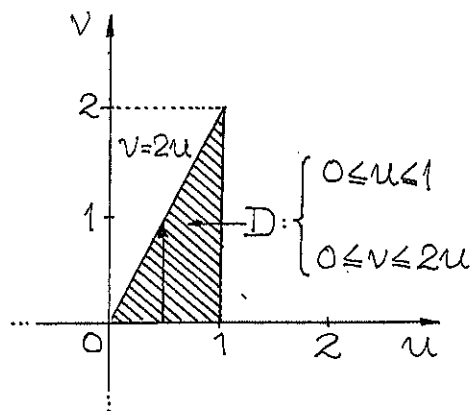
$$\underline{\text{Lösning}} \quad S: z = f(x, y) = \frac{1}{2}x^2 + y; \quad D: \begin{cases} 0 \leq x \leq 1 \\ 0 \leq y \leq 2x \end{cases};$$

$$S: \mathbf{r}(u, v) = (u, v, \frac{1}{2}u^2 + v), \quad (u, v) \in D;$$

Man kan behålla x och y som parametrar.

$$r'_u \times r'_v = \begin{vmatrix} \hat{x} & \hat{y} & \hat{z} \\ 1 & 0 & u \\ 0 & 1 & 1 \end{vmatrix} = -u\hat{x} - \hat{y} + \hat{z} = (-u, -1, 1) \Rightarrow$$

$$\Rightarrow d\sigma = |r'_u \times r'_v| du dv = \sqrt{u^2 + 2} du dv;$$



$$\begin{aligned} \mathcal{A}(S) &= \iint_D d\sigma = \int_0^1 du \int_0^{2u} \sqrt{u^2 + 2} dv = \\ &= \int_0^1 \sqrt{u^2 + 2} \cdot 2u du = \\ &= \left[\frac{2}{3} (u^2 + 2)^{3/2} \right]_0^1 = \\ &= \frac{2}{3} (3\sqrt{3} - 2\sqrt{2}). \end{aligned}$$

Uppgift 3.3 (Sid. 2)

Lösning

$$z = 1 - x - y; \quad D: x^2 + y^2 \leq 1.$$

$$S: r(u, v) = (u, v, 1 - u - v), \quad (u, v) \in D; \quad \text{forts}$$

$$\begin{aligned} r'_u \times r'_v &= \begin{vmatrix} \hat{x} & \hat{y} & \hat{z} \\ 1 & 0 & -1 \\ 0 & 1 & -1 \end{vmatrix} = (1, 1, 1) \Rightarrow d\sigma = |r'_u \times r'_v| du dv = \\ &= \sqrt{3} du dv \Rightarrow \mathcal{A}(S) = \iint_D d\sigma = \sqrt{3} \cdot \mathcal{A}(D) = \underline{\underline{\sqrt{3} \cdot \pi}}. \end{aligned}$$

Uppgift 3.4 (Sid. 2)

Lösning

$$z = f(x, y) = 1 - x^2 - y^2; \quad D: x^2 + y^2 \leq 1.$$

Observera att $z \geq 0 \Leftrightarrow 1 - x^2 - y^2 \geq 0 \Leftrightarrow x^2 + y^2 \leq 1.$

$$\begin{cases} x = u \cos v \\ y = u \sin v \end{cases} \Rightarrow z = f(u \cos v, u \sin v) = 1 - u^2 \Rightarrow$$

$$\Rightarrow S: r(u, v) = (u \cos v, u \sin v, 1 - u^2); \quad \Delta: \begin{cases} 0 \leq u \leq 1 \\ 0 \leq v < 2\pi \end{cases}$$

$$\begin{cases} r'_u = (\cos v, \sin v, -2u) \\ r'_v = (-u \sin v, u \cos v, 0) \end{cases} \Rightarrow r'_u(u, v) \times r'_v(u, v) =$$

$$= \begin{vmatrix} \hat{x} & \hat{y} & \hat{z} \\ \cos v & \sin v & -2u \\ -u \sin v & u \cos v & 0 \end{vmatrix} = (2u^2 \cos v, 2u^2 \sin v, u) \Rightarrow$$

$$\begin{aligned} d\sigma &= |r'_u \times r'_v| du dv = \sqrt{4u^4 + u^2} du dv = \sqrt{4u^2 + 1} u du dv \\ \Rightarrow \mathcal{A}(S) &= \iint_{\Delta} d\sigma = \int_0^1 \sqrt{4u^2 + 1} u du \int_0^{2\pi} dv = \int_0^1 \sqrt{4u^2 + 1} u du \cdot 2\pi \end{aligned}$$

$$= 2\pi \int_1^5 \frac{1}{8} \sqrt{t} dt = \frac{\pi}{4} \left[\frac{2}{3} t^{3/2} \right]_1^5 = \frac{\pi}{6} (5\sqrt{5} - 1).$$

Ann. Att finna en bra parametrisering är fråga om rutin.

Uppgift 3.5 (Sid. 2)

Lösning

$$S: \mathbf{r}(u, v) = (u \cos v, u \sin v, u^2); \Delta = [0, 1]^2.$$

$$\begin{aligned} \mathbf{r}'_u \times \mathbf{r}'_v &= \hat{x} \frac{\partial(y, z)}{\partial(u, v)} + \hat{y} \frac{\partial(z, x)}{\partial(u, v)} + \hat{z} \frac{\partial(x, y)}{\partial(u, v)} = \\ &= (-2u^2 \cos v, -2u^2 \sin v, u) \Rightarrow \end{aligned}$$

$$d\sigma = |\mathbf{r}'_u \times \mathbf{r}'_v| du dv = \sqrt{4u^2 + 1} u du dv; (u, v) \in \Delta;$$

$$A(S) = \iint_{\Delta} d\sigma = \int_0^1 \sqrt{4u^2 + 1} u du \int_0^1 dv \stackrel{!}{=} \frac{1}{12} (5\sqrt{5} - 1).$$

! = underförstås integrationen i 3.4.

Uppgift 3.6 (Sid. 2)

Lösning

$$S: \mathbf{r}(u, v) = (u^2, v^2, \sqrt{2}uv); \Delta: u^2 + v^2 \leq 1.$$

$$\mathbf{r}'_u \times \mathbf{r}'_v = (2u, 0, \sqrt{2}v) \times (0, 2v, \sqrt{2}u) = (-2\sqrt{2}u^2, -2\sqrt{2}v^2, -4uv)$$

$$\Rightarrow d\sigma = |\mathbf{r}'_u \times \mathbf{r}'_v| du dv = \sqrt{8u^4 + 8v^4 + 16u^2v^2} du dv =$$

$$= \sqrt{8(u^2 + v^2)^2} du dv = \sqrt{8} \cdot (u^2 + v^2) du dv \Rightarrow$$

$$A(S) = \sqrt{8} \iint_{\Delta} (u^2 + v^2) du dv = \left[\begin{array}{l} u = r \cos \theta \mid 0 \leq r \leq 1 \\ v = r \sin \theta \mid 0 \leq \theta \leq 2\pi \end{array} \right] =$$

$$= \sqrt{8} \int_0^1 r^3 dr \int_0^{2\pi} d\theta = 2\sqrt{2} \cdot \frac{1}{4} \cdot 2\pi = \sqrt{2}\pi.$$

Uppgift 3.7 (Sid. 2)

Lösning

$$S: \mathbf{r}(u, v) = (2u \cosh v, 2u \sinh v, 2u); \Delta: \begin{cases} 0 \leq u \leq 1 \\ 0 \leq v \leq 1 \end{cases};$$

$$\mathbf{r}'_u \times \mathbf{r}'_v = 2(\cosh v, \sinh v, 1) \times (2u \sinh v, 2u \cosh v, 0)$$

$$= \begin{vmatrix} \hat{x} & \hat{y} & \hat{z} \\ 2\cosh v & 2\sinh v & 2 \\ 2u\sinh v & 2u\cosh v & 0 \end{vmatrix} =$$

$$= (-4u \cosh v, 4u \sinh v, 4u) \Rightarrow$$

$$d\sigma = |\mathbf{r}'_u \times \mathbf{r}'_v| du dv = 4u \sqrt{\cosh^2 v + \sinh^2 v + 1} du dv$$

$$= 4u \sqrt{\cosh 2v + 1} du dv = 4\sqrt{2} \sqrt{\cosh^2 v} u du dv$$

$$= 2\sqrt{2} \cdot \underline{2u du} \cdot \underline{\cosh v dv} \quad (\text{separerat}) \Rightarrow$$

$$\begin{aligned} \mathcal{A}(S) &= \iint_{\Delta} d\sigma = 2\sqrt{2} \int_0^1 2u du \cdot \int_0^1 \cosh v dv = \\ &= 2\sqrt{2} \cdot [u^2]_0^1 \cdot [\sinh v]_0^1 = \\ &= 2\sqrt{2} \cdot 1 \cdot \sinh 1 = \underline{\underline{\sqrt{2}(e - e^{-1})}}. \end{aligned}$$

Några fakta om de hyperboliska funktionerna:

$$\cosh x = \frac{e^x + e^{-x}}{2}, \quad \sinh x = \frac{e^x - e^{-x}}{2}, \quad \tanh x = \frac{\sinh x}{\cosh x}$$

$$\cosh^2 x - \sinh^2 x = 1 \quad (\text{den hyperboliska ettan}).$$

$$\cosh^2 x + \sinh^2 x = \cosh 2x = 2\sinh^2 x + 1 = 2\cosh^2 x - 1.$$

$$\underline{\underline{D \sinh x = \cosh x}}, \quad \underline{\underline{D \cosh x = \sinh x}}.$$

Uppgift 3.8 (Sid. 2)

Lösning

$$S: \underline{\underline{r(u, v) = (ue^v, ue^{-v}, \sqrt{2}u)}}; \quad \Delta: \begin{cases} 0 \leq u \leq \sqrt{2} \\ 0 \leq v \leq \frac{1}{2} \ln 2 \end{cases};$$

$$\begin{aligned} r'_u \times r'_v &= (e^v, e^{-v}, \sqrt{2}) \times (ue^v, -ue^{-v}, 0) = \\ &= \begin{vmatrix} \hat{x} & \hat{y} & \hat{z} \\ e^v & e^{-v} & \sqrt{2} \\ ue^v & -ue^{-v} & 0 \end{vmatrix} = (\sqrt{2}ue^{-v}, \sqrt{2}ue^v, -2u) \Rightarrow \end{aligned}$$

$$d\sigma = |r'_u \times r'_v| du dv = \sqrt{2}u \cdot \sqrt{e^{-2v} + e^{2v} + 2} du dv =$$

$$\begin{aligned} &= \sqrt{2}u \sqrt{2 \cosh 2v + 2} du dv = 2u \sqrt{\cosh 2v + 1} du dv = \\ &= 2\sqrt{2}u \cdot \sqrt{\cosh^2 v} du dv = \sqrt{2} \cdot 2u du \cdot \cosh v dv \Rightarrow \\ \mathcal{A}(S) &= \sqrt{2} \int_0^{\sqrt{2}} 2u du \cdot \int_0^{\frac{1}{2} \ln 2} \cosh v dv = \sqrt{8} \sinh\left(\frac{1}{2} \ln 2\right) = \\ &= \sqrt{8} \cdot \frac{1}{2} \left(e^{\frac{1}{2} \ln 2} - e^{-\frac{1}{2} \ln 2} \right) = \sqrt{2} \left(\sqrt{2} - \frac{1}{\sqrt{2}} \right) = \underline{\underline{1}}. \end{aligned}$$

$$\underline{\underline{\text{Anm. } e^{\frac{1}{2} \ln 2} = e^{\ln 2^{1/2}} = 2^{1/2} = \sqrt{2}}.}$$

Uppgift 3.9 (Sid. 3)

Lösning

$$(1) \quad x^2 + y^2 + z^2 = 1 \wedge z \geq 0 \Leftrightarrow \underline{\underline{z = \sqrt{1 - x^2 - y^2}, \quad x^2 + y^2 \leq 1}}.$$

$$r(x, y) = (x, y, \sqrt{1 - x^2 - y^2}); \quad \Delta: x^2 + y^2 \leq 1.$$

$$r'_x \times r'_y = (1, 0, -\frac{x}{z}) \times (0, 1, -\frac{y}{z}) = \left(\frac{x}{z}, \frac{y}{z}, 1\right) \Rightarrow$$

$$d\sigma = |r'_x \times r'_y| dx dy = \sqrt{\frac{x^2}{z^2} + \frac{y^2}{z^2} + 1} dx dy = \frac{dx dy}{z};$$

$$\begin{aligned} \mathcal{A}(S) &= \iint_{\Delta} d\sigma = \iint_{\Delta} \frac{1}{\sqrt{1 - x^2 - y^2}} dx dy = |\text{polärt}| = \\ &= \left[\begin{array}{l} x = r \cos \theta \quad | \quad 0 \leq r \leq 1 \\ y = r \sin \theta \quad | \quad 0 \leq \theta \leq 2\pi \end{array} \right] = \int_0^1 \frac{r}{\sqrt{1 - r^2}} dr \int_0^{2\pi} d\theta = \\ &= [-\sqrt{1 - r^2}]_0^1 \cdot [\theta]_0^{2\pi} = \underline{\underline{2\pi}}. \end{aligned}$$

$$(2) S: r(u,v) = (\sin u \cos v, \sin u \sin v, \cos u); \Delta: \begin{cases} 0 \leq u \leq 2\pi \\ 0 \leq v \leq \frac{\pi}{2} \end{cases};$$

$$\begin{cases} r'_u = (\cos u \cos v, \cos u \sin v, 0) \\ r'_v = (-\sin u \sin v, \sin u \cos v, -\sin u) \end{cases} \Rightarrow r'_u \times r'_v =$$

$$= \begin{vmatrix} \hat{x} & \hat{y} & \hat{z} \\ \cos u \cos v & \cos u \sin v & 0 \\ -\sin u \sin v & \sin u \cos v & -\sin u \end{vmatrix} =$$

$$= (-\cos u \sin^2 v, \cos u \sin v \cos v, \sin u \cos u) =$$

$$= \cos u \cdot (-\sin^2 v, \frac{1}{2} \sin 2v, \sin u) \Rightarrow$$

$$d\sigma = |r'_u \times r'_v| du dv = \sin v du dv, (u,v) \in \Delta;$$

$$A(S) = \iint_{\Delta} d\sigma = \int_0^{2\pi} du \cdot \int_0^{\pi/2} \sin v dv = \underline{\underline{2\pi}}.$$

Anm. Arealelementet på sfären $r=R$ är

$$d\sigma = R^2 \sin \theta d\theta d\varphi.$$

Uppgift 3.10 (Sid. 3)

Lösning

$$\begin{cases} S: r(u,v) = (u \cos v, u \sin v, h(1 - \frac{u}{R})) \\ \Delta: 0 \leq u \leq R, 0 \leq v \leq 2\pi. \end{cases};$$

$$r'_u \times r'_v = (\cos v, \sin v, -\frac{h}{R}) \times (-u \sin v, u \cos v, 0) =$$

$$= \begin{vmatrix} \hat{x} & \hat{y} & \hat{z} \\ \cos v & \sin v & -h/R \\ -u \sin v & u \cos v & 0 \end{vmatrix} =$$

$$= (\frac{h}{R} u \cos v, \frac{h}{R} u \sin v, u) \Rightarrow$$

$$d\sigma = |r'_u \times r'_v| du dv = u \sqrt{(h/R)^2 + 1} du dv, (u,v) \in \Delta;$$

$$A(S) = \iint_{\Delta} d\sigma = \frac{1}{R} \sqrt{h^2 + R^2} \int_0^R u du \cdot \int_0^{2\pi} dv =$$

$$= \frac{1}{R} \cdot \sqrt{h^2 + R^2} \cdot \frac{1}{2} R^2 \cdot 2\pi = \underline{\underline{\pi R \sqrt{h^2 + R^2}}}.$$

Uppgift 3.11 (Sid. 3)

Lösning

$$S: r(u,v) = ((R+r \cos u) \cos v, (R+r \cos u) \sin v, r \sin u)$$

$$\left. \begin{aligned} r'_u &= (-r \sin u \cos v, -r \sin u \sin v, r \cos u) \\ r'_v &= (-(R+r \cos u) \sin v, (R+r \cos u) \cos v, 0) \end{aligned} \right\} \Rightarrow$$

$$r'_u \times r'_v = -r(R+r \cos u) \cos u \cos v \hat{x} -$$

$$-r(R+r \cos u) \cos u \sin v \hat{y} -$$

$$-r(R+r \cos u) \sin u \hat{z} =$$

$$= \underline{\underline{-r(R+r \cos u) \cdot (\cos u \cos v, \cos u \sin v, \sin u)}}$$

$$d\sigma = |\mathbf{r}'_u \times \mathbf{r}'_v| du dv = r \cdot (R + r \cos u) \Rightarrow \mathcal{A}(S) = \int_0^{2\pi} dv \int_0^{2\pi} r(R + r \cos u) du = \int_0^{2\pi} dv \int_0^{2\pi} rR du = \underline{4\pi^2 rR}.$$

Anm. Ovanstående yta är en torus.

Uppgift 3.12 (Sid. 3)

Lösning

$$S: \mathbf{r}(u, v) = (u \cos v, u \sin v, \frac{1}{2}u^2); \Delta: \begin{cases} 0 \leq u \leq 1 \\ 0 \leq v \leq \frac{\pi}{2} \end{cases};$$

$$\begin{cases} \mathbf{r}'_u = (\cos v, \sin v, u) \\ \mathbf{r}'_v = (-u \sin v, u \cos v, 0) \end{cases} \Rightarrow \mathbf{r}'_u \times \mathbf{r}'_v = (-u \cos v, -u \sin v, 1)u$$

$$\Rightarrow d\sigma = |\mathbf{r}'_u \times \mathbf{r}'_v| du dv = \sqrt{u^2 + 1} u du dv, (u, v) \in \Delta;$$

$$\begin{aligned} \mathcal{A}(S) &= \int_0^1 \sqrt{u^2 + 1} u du \int_0^{\pi/2} dv = \int_0^1 \frac{1}{2} t^{-1/2} dt = \int_1^2 \frac{1}{2} t^{-1/2} dt = \int_1^2 \frac{1}{\sqrt{t}} dt \\ &= \frac{\pi}{4} \int_1^2 \sqrt{t} dt = \frac{\pi}{4} \left[\frac{2\sqrt{t}}{3} \right]_1^2 = \underline{\frac{\pi}{6} (2\sqrt{2} - 1)}. \end{aligned}$$

Annars lösning

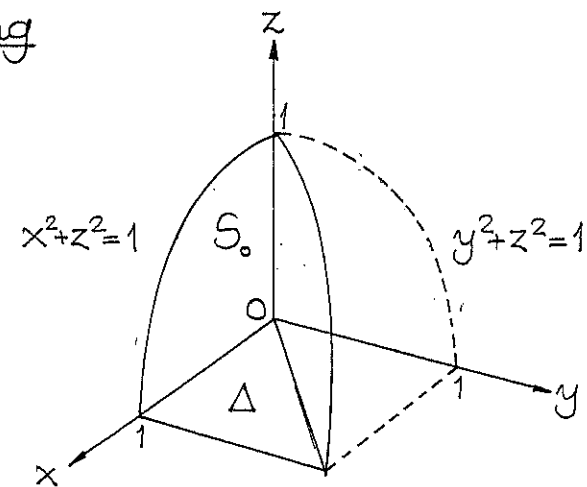
$$S: \mathbf{r}(x, y) = (x, y, \frac{1}{2}(x^2 + y^2)); \Delta: x^2 + y^2 \leq 1; x, y \geq 0.$$

$$\mathbf{r}'_x \times \mathbf{r}'_y = (1, 0, x) \times (0, 1, y) = (-x, -y, 1) \Rightarrow |\mathbf{r}'_x \times \mathbf{r}'_y| =$$

$$\begin{aligned} &= \sqrt{x^2 + y^2 + 1} \Rightarrow d\sigma = \sqrt{x^2 + y^2 + 1} dx dy \Rightarrow \mathcal{A}(S) = \\ &= \iint_{\Delta} \sqrt{x^2 + y^2 + 1} dx dy = \left[\begin{array}{l} x = r \cos \theta \quad | \quad 0 \leq r \leq 1 \\ y = r \sin \theta \quad | \quad 0 \leq \theta \leq \frac{\pi}{2} \end{array} \right] = \\ &= \int_0^1 \sqrt{r^2 + 1} \cdot r dr \int_0^{\pi/2} d\theta = \frac{\pi}{2} \cdot \left[\frac{1}{3} (r^2 + 1)^{3/2} \right]_0^1 = \underline{\frac{\pi}{6} (2\sqrt{2} - 1)}. \end{aligned}$$

Uppgift 3.13 (Sid. 3)

Lösning



I figuren ovan syns den del av ytan som ligger i den första oktanten; dess projek-tion i xy -planet är $\Delta: 0 \leq x \leq 1, 0 \leq y \leq x$.

$$S_0: \mathbf{r}(x, y) = (x, y, \sqrt{1 - x^2}); \Delta: \begin{cases} 0 \leq x \leq 1 \\ 0 \leq y \leq x \end{cases}; \text{ forts.}$$

$$\left. \begin{aligned} r'_x &= (1, 0, -\frac{x}{\sqrt{1-x^2}}) \\ r'_y &= (0, 1, 0) \end{aligned} \right\} \Rightarrow r'_x \times r'_y = (\frac{x}{\sqrt{1-x^2}}, 0, 1) \Rightarrow$$

$$\Rightarrow d\sigma = |r'_x \times r'_y| dx dy = \frac{1}{\sqrt{1-x^2}} dx dy \Rightarrow \mathcal{A}(S) =$$

$$= \iint_{\Delta} \frac{dx dy}{\sqrt{1-x^2}} = \int_0^1 dx \frac{1}{\sqrt{1-x^2}} \int_0^x dy = \int_0^1 \frac{x}{\sqrt{1-x^2}} dx = 1.$$

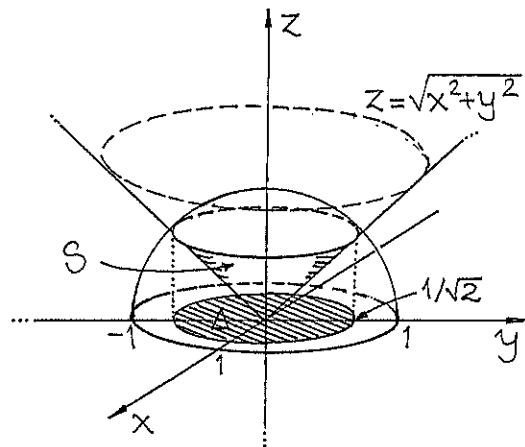
Svar: Den sökta arean är 4.

Uppgift 3.14 (Sid. 3)

Lösning

$$z = \sqrt{x^2 + y^2} \Rightarrow x^2 + y^2 + z^2 = 2(x^2 + y^2) = 1 \Leftrightarrow$$

$$\Leftrightarrow \Delta: x^2 + y^2 \leq \frac{1}{2}.$$



S: $r(x, y) = (x, y, \sqrt{x^2 + y^2})$; $\Delta: \sqrt{x^2 + y^2} \leq 1/\sqrt{2}$.

$$\left\{ \begin{aligned} r'_x &= (1, 0, \frac{x}{z}) \\ r'_y &= (0, 1, \frac{y}{z}) \end{aligned} \right. \Rightarrow r'_x \times r'_y = (-\frac{x}{z}, -\frac{y}{z}, 1) \Rightarrow |r'_x \times r'_y| =$$

$$= \sqrt{2} \Rightarrow \mathcal{A}(S) = \sqrt{2} \iint_{\Delta} dx dy = \sqrt{2} \cdot \frac{\pi}{2} = \frac{\pi}{\sqrt{2}}.$$

4. Nabla kalkyl

Uppgift 4.1 (Sid. 3)

Lösning

$$\underline{A(x, y, z) = (2x - 6y + z^2, 4x - y^2 + 2z, x^2 + y^2 - 2z^2)}.$$

a) $\nabla \cdot A = \partial_x(2x - 6y + z^2) + \partial_y(4x - y^2 + 2z) + \partial_z(x^2 + y^2 - 2z^2)$

$$= \underline{2 - 2y - 4z}.$$

b) $\nabla \times A = \begin{vmatrix} \hat{x} & \hat{y} & \hat{z} \\ \partial_x & \partial_y & \partial_z \\ 2x - 6y + z^2 & 4x - y^2 + 2z & x^2 + y^2 - 2z^2 \end{vmatrix} =$

$$= (\partial_y(x^2 + y^2 - 2z^2) - \partial_z(4x - y^2 + 2z)) \hat{x} +$$

$$+ (\partial_z(2x - 6y + z^2) - \partial_x(x^2 + y^2 - 2z^2)) \hat{y} +$$

$$+ (\partial_x(4x - y^2 + 2z) - \partial_y(2x - 6y + z^2)) \hat{z} =$$

$$= (2y - 2, 2z - 2x, 4 - 6) = \underline{(2y - 2, 2z - 2x, 2)}.$$

$$c) \nabla(\nabla \cdot \mathbf{A}) = \nabla(2-2y-4z) = \underline{(0, -2, -4)}.$$

$$d) \nabla \times (\nabla \times \mathbf{A}) = \nabla \times (2y-2, 2z-2x, 2) = \begin{vmatrix} \hat{x} & \hat{y} & \hat{z} \\ \partial_x & \partial_y & \partial_z \\ 2y-2 & 2z-2x & 2 \end{vmatrix}$$

$$= (\partial_y(2) - \partial_z(2z-2x))\hat{x} + (\partial_z(2y-2) - \partial_x(2))\hat{y} + (\partial_x(2z-2x) - \partial_y(2y-2))\hat{z} = \underline{(-2, 0, -4)}.$$

Ann. $\partial_x = \frac{\partial}{\partial x} = D_x$ osv.

Uppgift 4.2 (Sid. 3)

Lösning

$$a) \nabla \Phi = (\partial_x \Phi, \partial_y \Phi) = (2x+y, 2y+x) \Leftrightarrow \begin{cases} \partial_x \Phi = 2x+y & (1) \\ \partial_y \Phi = x+2y & (2) \end{cases}$$

$$(1) \Rightarrow \Phi = x^2 + xy + f(y) \Rightarrow \partial_y \Phi = x + f'(y) \stackrel{(2)}{=} x+2y \Leftrightarrow f'(y) = 2y \Leftrightarrow f(y) = y^2 + C \Rightarrow \underline{\Phi(x, y) = x^2 + xy + y^2 + C}.$$

$$b) \nabla \Phi = (2x \sin x^2, \cos y) \Leftrightarrow \begin{cases} \partial_x \Phi = 2x \sin x^2 & (1) \\ \partial_y \Phi = \cos y & (2) \end{cases};$$

$$(1) \Rightarrow \Phi = -\cos x^2 + f(y) \Rightarrow \partial_y \Phi = f'(y) \stackrel{(2)}{=} \cos y \Leftrightarrow f(y) = \sin y + C \Rightarrow \underline{\Phi(x, y) = -\cos x^2 + \sin y + C}.$$

$$c) \nabla \Phi = (e^{xy}, e^{xy}) \Leftrightarrow \begin{cases} \partial_x \Phi = e^{xy} \\ \partial_y \Phi = e^{xy} \end{cases} \Leftrightarrow \begin{cases} \Phi = \frac{e^{xy}}{y} + f(y) \\ \Phi = \frac{e^{xy}}{x} + g(x) \end{cases};$$

Det existerar inte någon Φ ; $\partial_x e^{xy} \neq \partial_y e^{xy}$.

$$d) \nabla \Phi = ((1+x+xz)e^{x+y+xz}, xe^{x+y+xz}, x^2e^{x+y+xz})$$

$$\Leftrightarrow \begin{cases} \partial_x \Phi = (1+x+xz)e^{x+y+xz} & (1) \\ \partial_y \Phi = xe^{x+y+xz} & (2) \\ \partial_z \Phi = x^2e^{x+y+xz} & (3) \end{cases}$$

$$(2) \Rightarrow \Phi = xe^{x+y+xz} + f(x, z) \Rightarrow \partial_z \Phi = x^2e^{x+y+xz} + \frac{\partial f}{\partial z} \stackrel{(3)}{=} x^2e^{x+y+xz} \Leftrightarrow \partial_z f(x, z) = 0 \Leftrightarrow f(x, z) = g(x) \Rightarrow \Phi = xe^{x+y+xz} + g(x) \Rightarrow \partial_x \Phi = (1+x+xz)e^{x+y+xz} + g'(x) \stackrel{(1)}{=} (1+x+xz)e^{x+y+xz} \Leftrightarrow g'(x) = 0 \Leftrightarrow g(x) = C \Rightarrow \underline{\Phi(x, y, z) = xe^{x+y+xz} + C}.$$

$$e) \nabla \Phi = (\sin yz, xz \cos yz, xy \sin yz) \Leftrightarrow$$

$$\underline{\partial_x \Phi = \sin yz} \quad (1), \quad \underline{\partial_y \Phi = xz \cos yz} \quad (2); \quad \underline{\partial_z \Phi = xy \sin yz} \quad (3).$$

$$(3) \Rightarrow \Phi = -x \cos yz + f(x, y) \Rightarrow \partial_y \Phi = xz \sin yz + \partial_y f =$$

$$\stackrel{(2)}{=} xz \cos yz \Leftrightarrow \partial_y f(x,y) = 0 \Leftrightarrow f(x,y) = g(x) \Rightarrow$$

$$\Phi = -x \cos yz + g(x) \Rightarrow \partial_x \Phi = -\cos yz + g'(x) \stackrel{(1)}{=} 0$$

$$= \sin yz \Leftrightarrow g'(x) \stackrel{!}{=} \sin yz + \cos yz, \text{ motsägelse;}$$

Det existerar ingen Φ i detta fall.

$$f) \quad \nabla \Phi = (2xy + z^2, x^2 + 2yz, y^2 + 2xz) \Leftrightarrow$$

$$\Leftrightarrow \underline{\partial_x \Phi = 2xy + z^2 \text{ (1)}, \partial_x \Phi = x^2 + 2yz \text{ (2)}, \partial_z \Phi = y^2 + 2xz \text{ (3)}}$$

$$(1) \Rightarrow \Phi = x^2 y + xz^2 + f(y,z) \Rightarrow \partial_y \Phi = x^2 + \partial_y f \stackrel{(2)}{=} x^2 + 2yz$$

$$\Leftrightarrow \partial_y f(y,z) = 2yz \Leftrightarrow f(y,z) = y^2 z + g(x) \Rightarrow \Phi =$$

$$= x^2 y + xz^2 + y^2 z + g(x) \Rightarrow \partial_x \Phi = 2xy + z^2 + g'(x) \stackrel{(1)}{=} 0$$

$$= 2xy + z^2 \Leftrightarrow g'(x) = 0 \Leftrightarrow g(x) = C \text{ (konstant)} \Rightarrow$$

$$\underline{\Phi(x,y,z) = x^2 y + xz^2 + y^2 z + C.}$$

Uppgift 4.3 (Sid. 3)

Lösning

$$\underline{A = \left(\frac{xz}{x^2+y^2}, \frac{yz}{x^2+y^2}, 0 \right).}$$

$$\left. \begin{aligned} A_x = \frac{xz}{x^2+y^2} &\Rightarrow \partial_x A_x = \frac{z(x^2+y^2) - 2x^2z}{(x^2+y^2)^2} = \frac{zy^2 - zx^2}{(x^2+y^2)^2} \\ A_y = \frac{yz}{x^2+y^2} &\Rightarrow \partial_y A_y = \frac{z(x^2+y^2) - 2y^2z}{(x^2+y^2)^2} = \frac{zx^2 - zy^2}{(x^2+y^2)^2} \end{aligned} \right\} \Rightarrow$$

$$\Rightarrow \operatorname{div} A = \partial_x A_x + \partial_y A_y + \partial_z A_z = \frac{zy^2 - zx^2 + zx^2 - zy^2}{(x^2+y^2)^2} = 0.$$

Uppgift 4.4 (Sid. 3)

Lösning

$$\underline{A = \left(-\frac{y}{x^2+y^2}, \frac{x}{x^2+y^2}, 0 \right)}$$

$$\begin{aligned} \operatorname{rot} A &= (\partial_y A_z - \partial_z A_y, \partial_z A_x - \partial_x A_z, \partial_x A_y - \partial_y A_x) = \\ &= (0 - 0, 0 - 0, \partial_x A_y - \partial_y A_x) = (0, 0, \partial_x A_y - \partial_y A_x) = \\ &= \left(0, 0, \frac{1}{x^2+y^2} - \frac{2x^2}{(x^2+y^2)^2} + \frac{1}{x^2+y^2} - \frac{2y^2}{(x^2+y^2)^2} \right) = \\ &= \left(0, 0, \frac{2(x^2+y^2) - 2(x^2+y^2)}{(x^2+y^2)^2} \right) = (0, 0, 0) = \underline{0}. \end{aligned}$$

Uppgift 4.5 (Sid. 3)

Lösning

$$\underline{F(x,y,z) = (yz, zx, xy)}$$

$$\begin{aligned} \operatorname{rot} F &= (\partial_y F_z - \partial_z F_y, \partial_z F_x - \partial_x F_z, \partial_x F_y - \partial_y F_x) = \\ &= (x - x, y - y, z - z) = (0, 0, 0) = \underline{0}. \end{aligned}$$

Uppgift 4.6 (Sid. 3)

Lösning

Se nästföljande sida.

$$\begin{aligned}
 \text{a) } \nabla \cdot (\Phi \mathbf{A}) &= \nabla \cdot (\Phi (A_x, A_y, A_z)) = \nabla \cdot (\Phi A_x, \Phi A_y, \Phi A_z) = \\
 &= \partial_x (\Phi A_x) + \partial_y (\Phi A_y) + \partial_z (\Phi A_z) = \\
 &= (\partial_x \Phi) A_x + \Phi \partial_x A_x + (\partial_y \Phi) A_y + \Phi \partial_y A_y + \\
 &\quad + (\partial_z \Phi) A_z + \Phi \partial_z A_z = \\
 &= (\partial_x \Phi) A_x + (\partial_y \Phi) A_y + (\partial_z \Phi) A_z + \\
 &\quad + \Phi (\partial_x A_x + \partial_y A_y + \partial_z A_z) = \\
 &= (\partial_x \Phi, \partial_y \Phi, \partial_z \Phi) \cdot (A_x, A_y, A_z) + \\
 &\quad + \Phi (\partial_x, \partial_y, \partial_z) \cdot (A_x, A_y, A_z) = \\
 &= (\partial_x, \partial_y, \partial_z) \Phi \cdot (A_x, A_y, A_z) + \\
 &\quad + \Phi (\partial_x, \partial_y, \partial_z) \cdot (A_x, A_y, A_z) = \\
 &= \underline{(\nabla \Phi) \cdot \mathbf{A} + \Phi (\nabla \cdot \mathbf{A})}.
 \end{aligned}$$

Enhetsvektorererna $\hat{x}, \hat{y}, \hat{z}$ bör undvikas.

$$\begin{aligned}
 \text{b) } \nabla \times (\Phi \mathbf{A}) &= \nabla \times (\Phi A_x, \Phi A_y, \Phi A_z) = \\
 &= \begin{vmatrix} \hat{x} & \hat{y} & \hat{z} \\ \partial_x & \partial_y & \partial_z \\ \Phi A_x & \Phi A_y & \Phi A_z \end{vmatrix} = \\
 &= (\partial_y (\Phi A_z) - \partial_z (\Phi A_y), \partial_z (\Phi A_x) - \partial_x (\Phi A_z), \partial_x (\Phi A_y) - \partial_y (\Phi A_x))
 \end{aligned}$$

$$\begin{aligned}
 &= ((\partial_y \Phi) A_z + \Phi \partial_y A_z - (\partial_z \Phi) A_y - \Phi \partial_z A_y) \hat{x} + \\
 &+ ((\partial_z \Phi) A_x + \Phi \partial_z A_x - (\partial_x \Phi) A_z - \Phi \partial_x A_z) \hat{y} + \\
 &+ ((\partial_x \Phi) A_y + \Phi \partial_x A_y - (\partial_y \Phi) A_x - \Phi \partial_y A_x) \hat{z} = \\
 &= ((\partial_y \Phi) A_z - (\partial_z \Phi) A_y, (\partial_z \Phi) A_x - (\partial_x \Phi) A_z, (\partial_x \Phi) A_y - (\partial_y \Phi) A_x) \\
 &+ \Phi (\partial_y A_z - \partial_z A_y, \partial_z A_x - \partial_x A_z, \partial_x A_y - \partial_y A_x) = \\
 &= \begin{vmatrix} \hat{x} & \hat{y} & \hat{z} \\ \partial_x \Phi & \partial_y \Phi & \partial_z \Phi \\ A_x & A_y & A_z \end{vmatrix} + \Phi \nabla \times \mathbf{A} = \\
 &= \underline{(\nabla \Phi) \times \mathbf{A} + \Phi \nabla \times \mathbf{A}}.
 \end{aligned}$$

$$\begin{aligned}
 \text{c) } \nabla \cdot (\mathbf{A} \times \mathbf{B}) &= \nabla \cdot (A_y B_z - A_z B_y, A_z B_x - A_x B_z, A_x B_y - A_y B_x) = \\
 &= \partial_x (A_y B_z - A_z B_y) + \partial_y (A_z B_x - A_x B_z) + \partial_z (A_x B_y - A_y B_x) = \\
 &= \partial_x (A_y B_z) - \partial_x (A_z B_y) + \partial_y (A_z B_x) - \partial_y (A_x B_z) + \\
 &\quad + \partial_z (A_x B_y) - \partial_z (A_y B_x) = \\
 &= (\partial_x A_y) B_z + A_y (\partial_x B_z) - (\partial_x A_z) B_y - A_z (\partial_x B_y) + \\
 &+ (\partial_y A_z) B_x + A_z (\partial_y B_x) - (\partial_y A_x) B_z - A_x (\partial_y B_x) + \\
 &+ (\partial_z A_x) B_y + A_x (\partial_z B_y) - (\partial_z A_y) B_x - A_y (\partial_z B_y) =
 \end{aligned}$$

$$\begin{aligned}
&= (\partial_y A_z - \partial_z A_y) B_x + (\partial_z A_x - \partial_x A_z) B_y + (\partial_x A_y - \partial_y A_x) B_z \\
&- (\partial_y B_z - \partial_z B_y) A_x + (\partial_z B_x - \partial_x B_z) A_y + (\partial_x B_y - \partial_y B_x) A_z \\
&= (\nabla \times \mathbf{A}) \cdot \mathbf{B} - (\nabla \times \mathbf{B}) \cdot \mathbf{A} = \underline{(\nabla \times \mathbf{A}) \cdot \mathbf{B} - \mathbf{A} \cdot (\nabla \times \mathbf{B})}.
\end{aligned}$$

$$\begin{aligned}
d) \nabla \times (\nabla \phi) &= \nabla \times (\partial_x \Phi, \partial_y \Phi, \partial_z \Phi) = (\partial_y \partial_z \Phi - \partial_z \partial_y \Phi) \hat{x} + \\
&+ (\partial_z \partial_x \Phi - \partial_x \partial_z \Phi) \hat{y} + (\partial_x \partial_y \Phi - \partial_y \partial_x \Phi) \hat{z} = (0, 0, 0) = \mathbf{0}.
\end{aligned}$$

Ann. $f \in \mathcal{C}^2 \Rightarrow \partial_i \partial_j f = \partial_j \partial_i f, i \neq j.$

$$\begin{aligned}
e) \nabla \cdot (\nabla \times \mathbf{A}) &= \nabla \cdot (\partial_y A_z - \partial_z A_y, \partial_z A_x - \partial_x A_z, \partial_x A_y - \partial_y A_x) = \\
&= \partial_x (\partial_y A_z - \partial_z A_y) + \partial_y (\partial_z A_x - \partial_x A_z) + \partial_z (\partial_x A_y - \partial_y A_x) = \\
&= \partial_x \partial_y A_z - \partial_x \partial_z A_y + \partial_y \partial_z A_x - \partial_y \partial_x A_z + \partial_z \partial_x A_y - \partial_z \partial_y A_x = \\
&= \partial_x \partial_y A_z - \partial_y \partial_x A_z + \partial_y \partial_z A_x - \partial_z \partial_y A_x + \partial_x \partial_z A_y - \partial_z \partial_x A_y = \\
&= (\partial_x \partial_y - \partial_y \partial_x) A_z + (\partial_y \partial_z - \partial_z \partial_y) A_x + (\partial_x \partial_z - \partial_z \partial_x) A_y = \mathbf{0}.
\end{aligned}$$

Jfr anmärkningarna ovan.

Uppgift 4.7 (Sid. 4)

Lösning

$$a) \nabla(\mathbf{a} \cdot \mathbf{r}) = \nabla(a_x x + a_y y + a_z z) = \hat{x} \partial_x (a_x x + a_y y + a_z z) +$$

$$\begin{aligned}
&+ \hat{y} \partial_y (a_x x + a_y y + a_z z) + \hat{z} \partial_z (a_x x + a_y y + a_z z) = \\
&= (a_x, a_y, a_z) = \mathbf{a}.
\end{aligned}$$

$$b) \nabla \cdot \mathbf{r} = (\partial_x, \partial_y, \partial_z) \cdot (x, y, z) = \partial_x(x) + \partial_y(y) + \partial_z(z) = 1 + 1 + 1 = 3.$$

$$\begin{aligned}
c) r^2 = x^2 + y^2 + z^2 \Rightarrow \partial_x r^2 = 2x \Rightarrow 2r \partial_x r = 2x \Rightarrow \partial_x r = \frac{x}{r} \\
\text{och p.s.s. } \partial_y r = \frac{y}{r} \text{ och } \partial_z r = \frac{z}{r} \text{ s.a. } \nabla r = \frac{\mathbf{r}}{r} = \hat{r} \Rightarrow
\end{aligned}$$

$$\begin{aligned}
\nabla \Phi(r) &= (\partial_x, \partial_y, \partial_z) \Phi(r) = (\partial_x \Phi(r), \partial_y \Phi(r), \partial_z \Phi(r)) = \\
&= (\Phi'(r) \partial_x r, \Phi'(r) \partial_y r, \Phi'(r) \partial_z r) = \\
&= \Phi'(r) (\partial_x r, \partial_y r, \partial_z r) = \Phi'(r) \left(\frac{x}{r}, \frac{y}{r}, \frac{z}{r} \right) = \\
&= \Phi'(r) \cdot \frac{1}{r} (x, y, z) = \frac{d\Phi}{dr} \frac{\mathbf{r}}{r}.
\end{aligned}$$

Ann. $\nabla f(g(x, y, z)) = f'(g(x, y, z)) \cdot \nabla g(x, y, z).$

$$\begin{aligned}
d) \nabla \cdot (\Phi(r) \mathbf{r}) &= (\nabla \Phi(r)) \cdot \mathbf{r} + \Phi(r) \nabla \cdot \mathbf{r} = \left(\frac{d\Phi}{dr} \right) \frac{\mathbf{r}}{r} \cdot \mathbf{r} + \Phi(r) \cdot 3 = \\
&= \frac{d\Phi}{dr} \frac{\mathbf{r} \cdot \mathbf{r}}{r} + 3\Phi(r) = \frac{d\Phi}{dr} \frac{r^2}{r} + 3\Phi(r) = r \frac{d\Phi}{dr} + 3\Phi(r).
\end{aligned}$$

Ann. Se 4.6 a), b) och c).

$$e) \nabla \cdot (\mathbf{a} \times \mathbf{r}) = (\nabla \times \mathbf{a}) \cdot \mathbf{r} - \mathbf{a} \cdot (\nabla \times \mathbf{r}) = \mathbf{0} \cdot \mathbf{r} - \mathbf{a} \cdot \mathbf{0} = \mathbf{0}.$$

$$f) \nabla \times (\Phi(r) \mathbf{r}) = \underbrace{(\nabla \Phi(r)) \times \mathbf{r}}_{\Phi'(r) \hat{r} \times \hat{r} = \mathbf{0}} + \Phi(r) \underbrace{(\nabla \times \mathbf{r})}_{=\mathbf{0}} = \mathbf{0} + \mathbf{0} = \mathbf{0}.$$

$$g) \underline{(A \times B) \times C = B(A \cdot C) - A(B \cdot C)}$$

$$(r \times a) \times r = a(r \cdot r) - r(a \cdot r) = r^2 a - (a \cdot r)r;$$

$$\begin{aligned} \nabla \cdot ((r \times a) \times r) &= \nabla \cdot (r^2 a) - \nabla \cdot ((a \cdot r)r) = \\ &= (\nabla r^2) \cdot a + r^2 \nabla \cdot a - (\nabla(a \cdot r)) \cdot r - (a \cdot r) \nabla \cdot r \\ &= (2r \cdot \frac{r}{r}) \cdot a + r^2 \cdot 0 - a \cdot r - 3(a \cdot r) = \\ &= 2a \cdot r - a \cdot r - 3a \cdot r = \underline{\underline{-2a \cdot r}}. \end{aligned}$$

$$h) \nabla \times (a \times r) = \nabla \times (a_y z - a_z y, a_z x - a_x z, a_x y - a_y x) =$$

$$\begin{aligned} &= \begin{vmatrix} \hat{x} & \hat{y} & \hat{z} \\ \partial_x & \partial_y & \partial_z \\ a_y z - a_z y & a_z x - a_x z & a_x y - a_y x \end{vmatrix} = \\ &= (\partial_y(a_x y - a_y x) - \partial_z(a_z x - a_x z))\hat{x} + \\ &+ (\partial_z(a_y z - a_z y) - \partial_x(a_x y - a_y x))\hat{y} + \\ &+ (\partial_x(a_z x - a_x z) - \partial_y(a_y z - a_z y))\hat{z} = \\ &= (a_x + a_x, a_y + a_y, a_z + a_z) = \underline{\underline{2a}}. \end{aligned}$$

Anm. Ett antal vektoridentiteter ska ingenjör kunna utantill. De finns samlade i handboken BETA.

Uppgift 4.8 (Sid. 4)

$$\underline{\text{Lösning:}} \quad \nabla^2 = (\partial_x)^2 + (\partial_y)^2 + (\partial_z)^2 = \frac{\partial^2}{\partial x^2} + \frac{\partial^2}{\partial y^2} + \frac{\partial^2}{\partial z^2}.$$

$$\begin{aligned} VL &= \nabla \times (\nabla \times F) = \nabla \times \begin{vmatrix} \hat{x} & \hat{y} & \hat{z} \\ \partial_x & \partial_y & \partial_z \\ xy & yz & xz \end{vmatrix} = \nabla \times (-y, -z, -x) = \\ &= \begin{vmatrix} \hat{x} & \hat{y} & \hat{z} \\ \partial_x & \partial_y & \partial_z \\ -y & -z & -x \end{vmatrix} = (1, 1, 1). \end{aligned}$$

$$HL = \nabla(\nabla \cdot F) - \nabla^2 F = \nabla(x+y+z) - 0 = (1, 1, 1).$$

$$\underline{\text{Anm.}} \quad A \times (B \times C) = B(A \cdot C) - (A \cdot B)C;$$

$$\underline{\underline{A=B=\nabla}} \Rightarrow \nabla \times (\nabla \times F) = \nabla(\nabla \cdot F) - \nabla^2 F.$$

5. Kurvintegraler i \mathbb{R}^2 . Greens formel

Uppgift 5.1 (Sid. 4)

$$\underline{\text{Lösning:}} \quad \underline{A = (-x \cos y, y \sin x)}; \underline{dr = (dx, dy)}$$

$$\gamma: r(t) = (t, 2t), \quad 0 \leq t \leq \pi;$$

$$\int_{\gamma} A \cdot dr = \int_0^{\pi} (-t \cos 2t, 2t \sin t) \cdot (1, 2) dt =$$

$$= \int_0^{\pi} \frac{(4t \sin t - t \cos 2t)}{t(4 \sin t - \cos 2t)} dt =$$

$$= [t(-4\cos t - \frac{1}{2}\sin 2t)]_0^\pi + \underbrace{\int_0^\pi (4\cos t + \frac{1}{2}\sin 2t) dt}_{=0} = 4\pi.$$

Uppgift 5.2 (Sid. 4)

Lösning

a) $y=x \Rightarrow \gamma: r(t)=(t,t), 0 \leq t \leq 1.$

$$\int_\gamma xy dx + (y-x) dy = \int_0^1 t^2 dt = \frac{1}{3}.$$

b) $y=\sqrt{x} \Rightarrow \gamma: r(t)=(t^2,t), 0 \leq t \leq 1.$

$$\begin{aligned} \int_\gamma xy dx + (y-x) dy &= \int_0^1 (t^3 \cdot 2t + (t-t^2)) dt = \\ &= \int_0^1 (2t^4 - t^2 + t) dt = \left[\frac{2}{5}t^5 - \frac{1}{3}t^3 + \frac{1}{2}t^2 \right]_0^1 = \frac{2}{5} - \frac{1}{3} + \frac{1}{2} = \frac{17}{30}. \end{aligned}$$

Anm. $\gamma: r=r(t), \alpha \leq t \leq \beta;$

$$\int_\gamma A \cdot dr = \int_\alpha^\beta A(r(t)) \cdot \frac{dr}{dt} dt$$

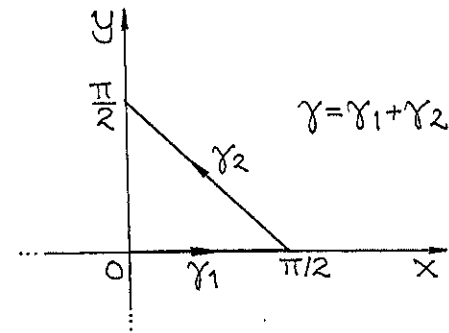
Se sidan 326 i Persson & Böiers.

Uppgift 5.3 (Sid. 4)

Lösning

$$\underline{\omega = \cos y dx + \sin x dy}$$

Integrationsvägen är sammansatt: $\gamma = \gamma_1 + \gamma_2.$



$$\int_\gamma \omega = \int_{\gamma_1} \omega + \int_{\gamma_2} \omega \quad (\text{Se sidan 330 i P \& B}).$$

(1) $\underline{\gamma_1: r(t)=(t,0), 0 \leq t \leq \frac{\pi}{2}.}$

$$\int_{\gamma_1} \omega = \int_0^{\pi/2} \omega(\gamma_1) = \int_0^{\pi/2} dt = \frac{\pi}{2};$$

(2) $\underline{\gamma_2: r(t) = (\frac{\pi}{2}, 0) + (-\frac{\pi}{2}, \frac{\pi}{2})t = (\frac{\pi}{2} - \frac{\pi}{2}t, \frac{\pi}{2}t), 0 \leq t \leq 1}$
 $= (\frac{\pi}{2} - t, t), 0 \leq t \leq \frac{\pi}{2}$

$$\begin{aligned} \int_{\gamma_2} \omega &= \int_0^{\pi/2} \omega(\gamma_2) = \int_0^{\pi/2} (\cos t \cdot (-1) + \sin(\frac{\pi}{2} - t)) dt = \\ &= \int_0^{\pi/2} (-\cos t + \cos t) dt = 0. \end{aligned}$$

Sammanfattningsvis fås $\int_\gamma \omega = \frac{\pi}{2}.$

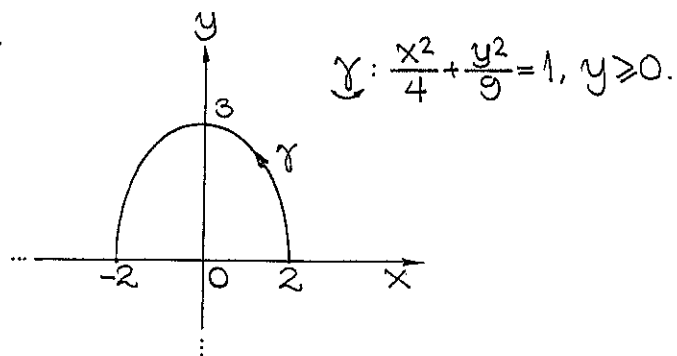
De beteckningar jag använder kommer från differentialgeometrin.

$$\gamma: r=r(t), \alpha \leq t \leq \beta; \quad \omega = P(x,y)dx + Q(x,y)dy$$

$$\omega(\gamma) = P(x(t), y(t)) \cdot x'(t) dt + Q(x(t), y(t)) \cdot y'(t) dt$$

Uppgift 5.4 (Sid. 4)

Lösning

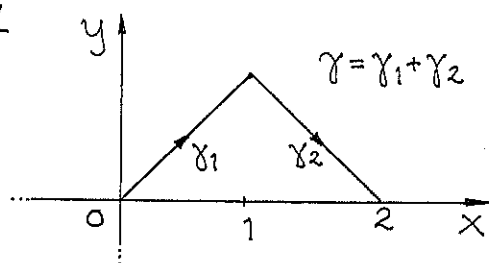


$$\gamma: r(t) = (2\cos t, 3\sin t), \quad 0 \leq t \leq \pi; \quad A = (y, -x).$$

$$\begin{aligned} \int_{\gamma} A \cdot dr &= \int_0^{\pi} A(r(t)) \cdot r'(t) dt = / \text{Obs! } \omega = A \cdot dr / = \\ &= \int_0^{\pi} (3\sin t, -2\cos t) \cdot (-2\sin t, 3\cos t) dt = \\ &= \int_0^{\pi} (-6\sin^2 t - 6\cos^2 t) dt = \int_0^{\pi} (-6) dt = -6\pi. \end{aligned}$$

Uppgift 5.5 (Sid. 4)

Lösning



$$\gamma_1: r(t) = (t, t), \quad 0 \leq t \leq 1; \quad \gamma_2: r(t) = (t, 2-t), \quad 1 \leq t \leq 2.$$

$$\int_{\gamma} F \cdot dr = \int_{\gamma_1} F \cdot dr + \int_{\gamma_2} F \cdot dr;$$

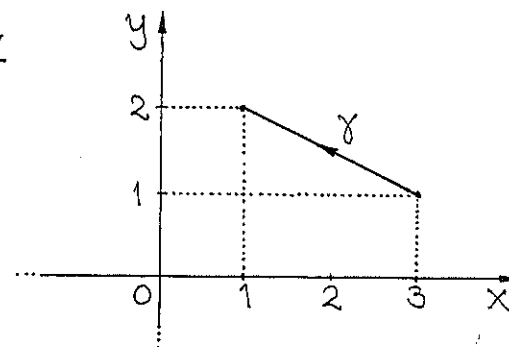
$$(1) \int_{\gamma_1} F \cdot dr = \int_0^1 (2t^2, 0) \cdot (1, 1) dt = \int_0^1 2t^2 dt = \frac{2}{3}.$$

$$\begin{aligned} (2) \int_{\gamma_2} F \cdot dr &= \int_1^2 (t^2 + (2-t)^2, t^2 - (2-t)^2) \cdot (1, -1) dt = \\ &= \int_1^2 (2t^2 - 4t + 4, 4t - 4) \cdot (1, -1) dt = \\ &= \int_1^2 (2t^2 - 4t + 4 - 4t + 4) dt = \\ &= \int_1^2 (2t^2 - 8t + 8) dt = 2 \int_1^2 (t-2)^2 dt = \\ &= 2 \left[\frac{1}{3} (t-2)^3 \right]_1^2 = \frac{2}{3}. \end{aligned}$$

Svar: Det utförda arbetet är $\frac{4}{3}$.

Uppgift 5.6 (Sid. 4)

Lösning

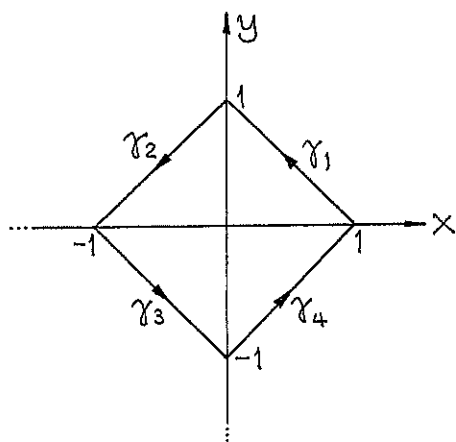


$$F(x, y) = (-x, -y); \quad \gamma: r(t) = (3-2t, 1+t), \quad 0 \leq t \leq 1.$$

$$\int_{\gamma} F \cdot dr = \int_0^1 (2t-3, -t-1) \cdot (-2, 1) dt = \int_0^1 (-5t+5) dt = \frac{5}{2}$$

Uppgift 5.7 (Sid. 4)

Lösning



$$\underline{\gamma_1 + \gamma_2 + \gamma_3 + \gamma_4 = \gamma}$$

$$\underline{A = (e^{x-y}, e^{x+y})}$$

$$(1) \underline{\gamma_1: r(t) = (1-t, t), 0 \leq t \leq 1}$$

$$\begin{aligned} \int_{\gamma_1} A \cdot dr &= \int_0^1 (e^{1-2t}, e) \cdot (-1, 1) dt = \int_0^1 (-e^{1-2t} + e) dt = \\ &= e \int_0^1 (1 - e^{-2t}) dt = e \left[t + \frac{1}{2} e^{-2t} \right]_0^1 = \frac{1}{2} (e + e^{-1}); \end{aligned}$$

$$(2) \underline{\gamma_2: r(t) = (1-t, -t), 0 \leq t \leq 1}$$

$$\begin{aligned} \int_{\gamma_2} A \cdot dr &= \int_0^1 (e, e^{1-2t}) \cdot (-1, -1) dt = \int_0^1 (-e - e^{1-2t}) dt = \\ &= \int_0^1 (-e)(1 + e^{-2t}) dt = -e \left[t - \frac{1}{2} e^{-2t} \right]_0^1 = \\ &= (-e) \left(1 - \frac{1}{2} (e^{-2} - 1) \right) = -e \cdot \frac{1}{2} (3 - e^{-2}) = \frac{1}{2} (e^{-1} - 3e); \end{aligned}$$

$$(3) \underline{\gamma_3: r(t) = (t-1, -t), 0 \leq t \leq 1}$$

$$\begin{aligned} \int_{\gamma_3} A \cdot dr &= \int_0^1 (e^{2t-1}, e^{-1}) \cdot (1, -1) dt = \int_0^1 (e^{2t-1} - e^{-1}) dt = \\ &= e^{-1} \int_0^1 (e^{2t} - 1) dt = e^{-1} \left[\frac{1}{2} e^{2t} - t \right]_0^1 = \frac{1}{2} (e - 3e^{-1}). \end{aligned}$$

$$(4) \underline{\gamma_4: r(t) = (t, t-1), 0 \leq t \leq 1}$$

$$\begin{aligned} \int_{\gamma_4} A \cdot dr &= \int_0^1 (e, e^{2t-1}) \cdot (1, 1) dt = \int_0^1 (e + e^{2t-1}) dt = \\ &= \left[e \cdot t + \frac{1}{2} e^{2t-1} \right]_0^1 = e + \frac{1}{2} (e - e^{-1}) = \frac{1}{2} (3e - e^{-1}). \end{aligned}$$

$$\int_{\gamma} A \cdot dr = \frac{1}{2} (e + e^{-1} + e^{-1} - 3e + e - 3e^{-1} + 3e - e^{-1}) = \underline{e - e^{-1}}$$

Uppgift 5.8 (Sid. 4)

Lösning

$$\underline{\gamma: x^2 + y^2 = 1; D = \{(x, y) : x^2 + y^2 \leq 1\}}$$

$$\underline{\text{Greens formel: } \oint_{\gamma} \omega = \iint_D d\omega = \iint_D (\partial_x Q - \partial_y P) dx dy}$$

$$\begin{aligned} \oint_{\gamma} A \cdot dr &= \oint_{\gamma} (-y^3, x^3) \cdot (dx, dy) = 3 \iint_D (x^2 + y^2) dx dy = \\ &= \left[\begin{array}{l} x = r \cos \theta \quad | \quad 0 \leq r \leq 1 \\ y = r \sin \theta \quad | \quad 0 \leq \theta \leq 2\pi \end{array} \right] = 3 \int_0^1 r^3 dr \int_0^{2\pi} d\theta = \frac{3}{4} \cdot 2\pi = \frac{3\pi}{2}. \end{aligned}$$

Greens formel härleds/bewisas i teoriboken.

Utm. $\gamma: r(t) = (\cos t, \sin t), 0 \leq t \leq 2\pi;$

$$\begin{aligned} \oint_{\gamma} A \cdot dr &= \int_0^{2\pi} (-\sin^3 t, \cos^3 t) \cdot (-\sin t, \cos t) dt = \\ &= \int_0^{2\pi} (\cos^4 t + \sin^4 t) dt = \\ &= \int_0^{2\pi} ((\cos^2 t)^2 + (\sin^2 t)^2) dt = \\ &= \int_0^{2\pi} \left(\left(\frac{1+\cos 2t}{2} \right)^2 + \left(\frac{1-\cos 2t}{2} \right)^2 \right) dt = \\ &= \int_0^{2\pi} \frac{1}{2} (1 + \cos^2 2t) dt = \\ &= \frac{1}{2} \int_0^{2\pi} \left(\frac{3}{2} + \frac{1}{2} \cos 4t \right) dt = \frac{3\pi}{2}. \end{aligned}$$

Uppgift 5.9 (Sid. 5)

Lösning

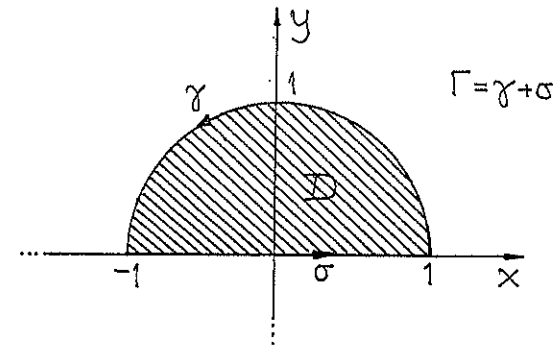
a) $\gamma: r(t) = (\cos t, \sin t), 0 \leq t \leq \dots$

$$\begin{aligned} \omega(\gamma) &= (3\cos^2 t + 4\sin t)(-\sin t) dt + \\ &\quad + (\sin^4 t + 3\sin^2 t + \cos t) \cos t dt = \\ &= (-3\cos^2 t \sin t - 4\sin^2 t + \sin^4 t \cos t + \\ &\quad + 3\sin^2 t \cos t + \cos^2 t) dt = \\ &= \frac{(-3\cos^2 t \sin t)}{(\cos^3 t)'} - 2 + \frac{2\cos 2t}{(\sin 2t)'} + \frac{\sin^4 t \cos t}{(\frac{1}{5}\sin^5 t)'} + \end{aligned}$$

$$\begin{aligned} &+ \frac{3\sin^2 t \cos t}{(\sin^3 t)'} + \frac{1}{2} + \frac{1}{2} \frac{\cos 2t}{(\frac{1}{2}\sin 2t)'} dt = (\cos^3 t - \frac{3t}{2} + \sin 2t + \\ &+ \frac{1}{5} \sin^5 t + \sin^3 t + \frac{1}{4} \sin 2t)' dt; \end{aligned}$$

$$\begin{aligned} \oint_{\gamma} A \cdot dr &= \left[\cos^3 t - \frac{3t}{2} + \sin 2t + \frac{1}{5} \sin^5 t + \sin^3 t + \frac{\sin 2t}{4} \right]_0^{2\pi} \\ &= \underline{\underline{-2 - \frac{3\pi}{2}}}. \end{aligned}$$

b) Jag stänger halvarkeln med diametern utmed x-axeln.



$$\begin{aligned} \omega &= (3x^2 + 4y) dx + (y^4 + 3y^2 + x) dy \Rightarrow d\omega = -3 dx dy \\ \Rightarrow \oint_{\Gamma} \omega &= -3 \iint_D dx dy = -\frac{3}{2} \pi \Leftrightarrow \int_{\gamma} \omega + \int_{\sigma} \omega = -3\pi/2 \\ \Leftrightarrow \int_{\gamma} \omega &= -\int_{\sigma} \omega - 3\pi/2 = -\int_{-1}^1 3x^2 dx - \frac{3\pi}{2} = -2 - \frac{3\pi}{2}. \end{aligned}$$

Uppgift 5.10 (Sid. 5)

Lösning: Parametrisering är att föredra!

$$\gamma: r(t) = (\cos t, \sin t), 0 \leq t \leq 2\pi; A = \frac{(-y, x)}{x^2 + y^2}$$

$$\oint_{\gamma} A \cdot dr = \int_0^{2\pi} (-\sin t, \cos t) \cdot (-\sin t, \cos t) dt =$$

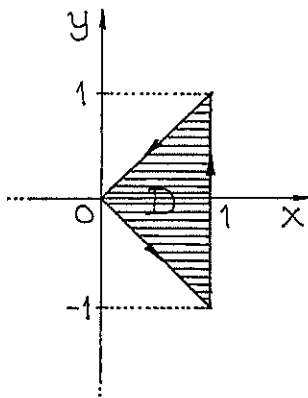
$$= \int_0^{2\pi} (\sin^2 t + \cos^2 t) dt = \int_0^{2\pi} dt = \underline{2\pi}$$

Läs anmärkningen på sidan 340 i teori-
boken (Persson & Böiers).



Uppgift 5.11 (Sid. 5)

Lösning



$$w = A \cdot dr = \frac{2xe^y}{(1+x^2)^2} dx - \frac{y^2 + e^y}{1+x^2} dy \Rightarrow dw = \left(\frac{\partial}{\partial x} \frac{-(y^2 + e^y)}{1+x^2} - \frac{\partial}{\partial y} \frac{2xe^y}{(1+x^2)^2} \right) dx dy =$$

$$= \frac{2xy^2}{(1+x^2)^2} dx dy;$$

$$\int_{\gamma} w = \iint_D dw = \int_0^1 dx \frac{2x}{(1+x^2)^2} \int_{-x}^x y^2 dy = \frac{2}{3} \int_0^1 \frac{2x^4}{(1+x^2)^2} dx =$$

$$= \frac{2}{3} \int_0^1 \frac{2x}{(1+x^2)^2} \cdot x^3 dx = \frac{2}{3} \left[-\frac{x^3}{x^2+1} \right]_0^1 + 2 \int_0^1 \frac{x^2}{x^2+1} dx =$$

$$= -\frac{1}{3} + 2 \int_0^1 \left(1 - \frac{1}{x^2+1} \right) dx = -\frac{1}{3} + 2 - 2 \operatorname{atan} 1 = \underline{\underline{\frac{5}{3} - \frac{\pi}{2}}}$$

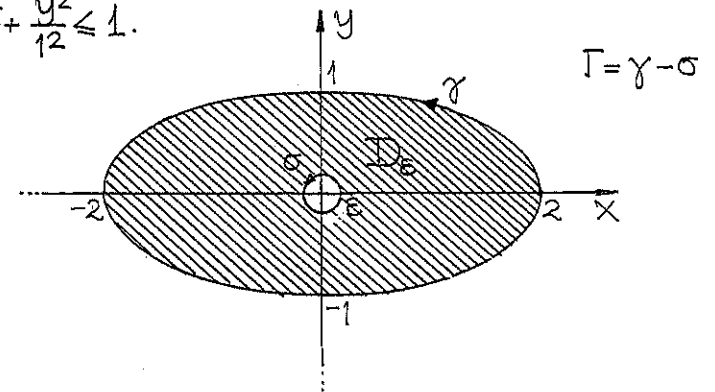
Uppgift 5.12 (Sid. 5)

Lösning

$$w = \left(\frac{y}{x^2 + y^2} - y \right) dx + \left(x - \frac{x}{x^2 + y^2} \right) dy; \gamma: x^2 + 4y^2 = 4$$

(1) $x^2 + 4y^2 = 4 \Leftrightarrow \frac{x^2}{2^2} + \frac{y^2}{1^2} = 1$, ellipskurva.

(2) $D: \frac{x^2}{2^2} + \frac{y^2}{1^2} \leq 1$.



(3) $D_{\epsilon} = \{(x, y): x^2 + 4y^2 \leq 4, x^2 + y^2 \geq \epsilon^2\}$

(4) $\int D_{\epsilon}$ är fältet $A = \left(\frac{y}{x^2 + y^2} - y, \frac{-x}{x^2 + y^2} + x \right) \in^1$ sa.

Greens formel kan användas:

$$dw = \left(\frac{\partial Q}{\partial x} - \frac{\partial P}{\partial y} \right) dx dy = 2 dx dy \Rightarrow \oint_{\Gamma} w = \frac{2(2\pi - \pi\epsilon^2)}{\mathcal{A}(D_{\epsilon})}$$

$$\begin{aligned}
 &= 4\pi - 2\pi\varepsilon^2 + \int_0^{2\pi} \left(\frac{\sin t}{\varepsilon} - \varepsilon \sin t, \varepsilon \cos t - \frac{\cos t}{\varepsilon} \right) \cdot (-\varepsilon \sin t, \\
 &\quad \varepsilon \cos t) dt = 4\pi - 2\pi\varepsilon^2 + \int_0^{2\pi} (-\sin^2 t - \cos^2 t)(1 - \varepsilon^2) dt = \\
 &= 4\pi - 2\pi\varepsilon^2 - 2\pi(1 - \varepsilon^2) = \underline{2\pi} \text{ (oberoende av } \varepsilon \text{)}.
 \end{aligned}$$

Anm. Randens Γ ska vara positivt orienterad (det inre till vänster).

Uppgift 5.13 (Sid. 5)

Lösning

$$\begin{aligned}
 \text{a) } \omega &= -\frac{1}{2}y dx + \frac{1}{2}x dy \Rightarrow d\omega = \left(\partial_x \frac{1}{2}x - \partial_y \left(-\frac{1}{2}y\right) \right) dx dy \\
 &= dx dy \Rightarrow \oint_{\gamma} \omega = \iint_D d\omega = \iint_D dx dy = \mathcal{A}(D).
 \end{aligned}$$

$$\text{b) } \gamma: \frac{x^2}{a^2} + \frac{y^2}{b^2} = 1 \Leftrightarrow \gamma: r(t) = (a \cos t, b \sin t), 0 \leq t \leq 2\pi$$

$$\mathcal{A}(D) = \frac{1}{2} \oint_{\gamma} -y dx + x dy = \frac{1}{2} ab \int_0^{2\pi} dt = \frac{ab}{2} 2\pi = \underline{\pi ab}.$$

Uppgift 5.14 (Sid. 5)

Lösning

$$\gamma: r(t) = (\cos^3 t, \sin^3 t), 0 \leq t \leq 2\pi.$$

$$\mathcal{A}(D) = \frac{1}{2} \oint_{\gamma} -y dx + x dy = \frac{1}{2} \int_0^{2\pi} 3 \cos^2 t \sin^2 t dt =$$

$$\begin{aligned}
 &= \frac{3}{2} \int_0^{2\pi} \left(\frac{1}{2} \sin 2t \right)^2 dt = \frac{3}{8} \int_0^{2\pi} \sin^2 2t dt = \\
 &= \frac{3}{8} \int_0^{2\pi} \frac{1}{2} (1 - \cos 4t) dt = \\
 &= \frac{3}{8} \cdot \frac{1}{2} \cdot 2\pi = \underline{\frac{3\pi}{8}}.
 \end{aligned}$$

Uppgift 5.15 (Sid. 5)

Lösning

Låt σ vara sträckan mellan $(-1, 0)$ och $(1, 0)$.

$$\begin{aligned}
 \Gamma = \gamma + \sigma &\Rightarrow \oint_{\Gamma} \omega = \iint_D (\partial_x (6x - x^3) - \partial_y (y^3 - 6y)) dx dy = \\
 &= \iint_D (6 - 3x^2 - 3y^2 + 6) dx dy = 3 \iint_D (4 - x^2 - y^2) dx dy \\
 &\Rightarrow \underline{4 - x^2 - y^2 \geq 0}, \text{ för maximalt värde av } \int_{\gamma} \omega;
 \end{aligned}$$

$$\begin{aligned}
 \int_{\gamma} \omega + \int_{\sigma} \omega &= 3 \iint_D (4 - x^2 - y^2) dx dy = \text{/polärt/} = \\
 &= 3 \int_0^2 (4 - r^2) r dr \int_0^{\pi} d\theta = 3 \cdot \pi \left[2r^2 - \frac{1}{4}r^4 \right]_0^2 = 12\pi \\
 \Leftrightarrow \int_{\gamma} \omega &= 12\pi - \int_{\sigma} \omega = \underline{12\pi}.
 \end{aligned}$$

Svar: Kurvan γ som maximerar $\int_{\gamma} \omega$ är

$$\gamma: r(t) = (2 \cos t, 2 \sin t), 0 \leq t \leq \pi.$$

Det största värdet blir i detta fall 12π .

Uppgift 5.16 (Sid. 5)

Lösning

$$A = (P(x, y), Q(x, y)) = \left(\frac{y^3}{3} - 2xy + 4y, -\frac{x^3}{3} + 4xy\right) \Leftrightarrow$$

$$\Leftrightarrow \begin{cases} P = \frac{1}{3}y^3 - 2xy + 4y \Rightarrow \partial_y P = y^2 - 2x + 4 \\ Q = -\frac{1}{3}x^3 + 4xy \Rightarrow \partial_x Q = -x^2 + 4y \end{cases} \Rightarrow \partial_x Q - \partial_y P =$$

$$= -x^2 + 4y - y^2 + 2x - 4 = -(x^2 + y^2 - 2x - 4y + 4) =$$

$$= -((x-1)^2 + (y-2)^2 - 1) = \underline{1 - (x-1)^2 - (y-2)^2};$$

$$\oint_{\gamma} A \cdot dr = \iint_D (1 - (x-1)^2 - (y-2)^2) dx dy, \underline{D = \text{int}(\gamma)}$$

$\oint_{\gamma} A \cdot dr$ blir maximalt om och endast

om integranden är icke-negativ, dvs om

$$1 - (x-1)^2 - (y-2)^2 \geq 0 \Leftrightarrow \underline{D: (x-1)^2 + (y-2)^2 = 1.}$$

$\text{Int}(\gamma) =$ det inre av γ , dvs området D .

$$\begin{aligned} \oint_{\gamma} A \cdot dr &= \iint_D (1 - (x-1)^2 - (y-2)^2) dx dy = \left[\begin{array}{l} x = 1 + r \cos \theta \\ y = 2 + r \sin \theta \end{array} \right] = \\ &= \int_0^1 (1 - r^2) r dr \int_0^{2\pi} d\theta = \left[\frac{1}{2} r^2 - \frac{1}{4} r^4 \right]_0^1 \cdot 2\pi = \frac{\pi}{2}. \end{aligned}$$

$$\underline{\text{Svar:}} \gamma: r(t) = (1 + \cos t, 2 + \sin t), 0 \leq t \leq 2\pi; \int_{\gamma} \omega = \frac{\pi}{2}.$$

6. Ytintegraler, flödesintegraler, Gauss'sats

Uppgift 6.1 (Sid. 5)

Lösning

$$\underline{S: r(u, v) = (\cos u, \sin u, v); 0 \leq u \leq 2\pi, 0 \leq v \leq 1.}$$

$$\begin{cases} r'_u = (-\sin u, \cos u, 0) \\ r'_v = (0, 0, 1) \end{cases} \Rightarrow r'_u \times r'_v = \begin{vmatrix} \hat{x} & \hat{y} & \hat{z} \\ -\sin u & \cos u & 0 \\ 0 & 0 & 1 \end{vmatrix}$$

$$= (\cos u, \sin u, 0) \Rightarrow dS = |r'_u \times r'_v| du dv = du dv$$

$$\Rightarrow \iint_S x^2 dS = \int_0^{2\pi} \cos^2 u du \cdot \int_0^1 dv = \frac{1}{2} \cdot 2\pi = \underline{\pi}.$$

Uppgift 6.2 (Sid. 5)

Lösning

$$\underline{S: r(u, v) = (u \cos v, u \sin v, u^2); 0 \leq u \leq 1, 0 \leq v \leq 2\pi.}$$

$$\begin{cases} r'_u = (\cos v, \sin v, 2u) \\ r'_v = (-u \sin v, u \cos v, 0) \end{cases} \Rightarrow r'_u \times r'_v = (-2u^2 \cos v) \hat{x} +$$

$$+ (-2u^2 \sin v) \hat{y} + u \hat{z} \Rightarrow |r'_u \times r'_v| = \sqrt{4u^2 + 1} u \Rightarrow$$

$$dS = |r'_u \times r'_v| du dv = \sqrt{4u^2 + 1} u du dv; \text{ forts}$$

$$\begin{aligned} \iint_S \frac{1}{1+4z} dS &= \int_0^1 \frac{\sqrt{1+4u^2}}{1+4u^2} u du \int_0^{2\pi} dv = 2\pi \int_0^1 \frac{u}{\sqrt{4u^2+1}} du = \\ &= \int_{4u^2+1=t} \frac{1}{2} dt / = \frac{2\pi}{8} \int_1^5 \frac{dt}{\sqrt{t}} = \frac{\pi}{2} [\sqrt{t}]_1^5 = \\ &= \frac{\pi}{2} \cdot (\sqrt{5}-1). \end{aligned}$$

Uppgift 6.3 (Sid. 5)

Lösning

$$S: \mathbf{r}(u, v) = (u \cos v, u \sin v, u^2); \quad 0 \leq u \leq 1, \quad 0 \leq v \leq 2\pi.$$

$$\mathbf{r}'_u \times \mathbf{r}'_v = (-2u^2 \cos v, -2u^2 \sin v, u) \Rightarrow \hat{\mathbf{n}} dS = (!) =$$

$$= -(\mathbf{r}'_u \times \mathbf{r}'_v) du dv = (2u^2 \cos v, 2u^2 \sin v, -u) du dv$$

$$\Rightarrow \mathbf{A}(\mathbf{r}) \cdot \hat{\mathbf{n}} dS = 2u^3 (\cos^2 v + \sin^2 v + u \cos v) du dv$$

$$\Rightarrow \iint_S \mathbf{A} \cdot \hat{\mathbf{n}} dS = \int_0^1 u^3 du \int_0^{2\pi} 2 \cos^2 v dv = \frac{1}{4} \cdot 2\pi = \frac{\pi}{2}.$$

$$\text{Anm. } \int_0^{2\pi} \sin x \cos x dx = \int_0^{2\pi} \sin x dx = \int_0^{2\pi} \cos x dx = 0.$$

J (!) underförstås villkoret $\hat{\mathbf{n}} \cdot \hat{\mathbf{z}} < 0$.

Uppgift 6.4 (Sid. 5)

Lösning

$$S: \mathbf{r}(u, v) = (u, v, 1-u-v); \quad D: u \geq 0, v \geq 0, u+v \leq 1.$$

$$\begin{aligned} \mathbf{r}'_u \times \mathbf{r}'_v &= (1, 0, -1) \times (0, 1, -1) = (1, 1, 1) \Rightarrow d\mathbf{w} = \mathbf{F} \cdot d\mathbf{S} = \\ &= \mathbf{F} \cdot \hat{\mathbf{n}} dS = (u+1, -2v-1, 1-u-v) \cdot (1, 1, 1) du dv = \\ &= (u+1-2v-1+1-u-v) du dv = (1-3v) du dv; \end{aligned}$$

$$\begin{aligned} \iint_D \mathbf{F} \cdot \hat{\mathbf{n}} dS &= \int_0^1 du \int_0^{1-u} (1-3v) dv = \\ &= \int_0^1 \left([v - \frac{3}{2}v^2]_{v=0}^{v=1-u} \right) du = \\ &= \int_0^1 \left(1-u - \frac{3}{2}(1-u)^2 \right) du = \\ &= \left[\frac{1}{2}(1-u)^3 - \frac{1}{2}(1-u)^2 \right]_0^1 = 0. \end{aligned}$$

Uppgift 6.5 (Sid. 6)

Lösning: Jag tillämpar Gauss's sats.

$$\mathbf{A}(x, y, z) = (x^3 y^2 z^2, x^2 y^3 z^2, x^2 y^2 z^3); \quad \begin{cases} |x| \leq 1 \\ |y| \leq 1 \\ |z| \leq 1 \end{cases}$$

$$\begin{aligned} \operatorname{div} \mathbf{A} &= \partial_x (x^3 y^2 z^2) + \partial_y (x^2 y^3 z^2) + \partial_z (x^2 y^2 z^3) \\ &= 3x^2 y^2 z^2 + 3x^2 y^2 z^2 + 3x^2 y^2 z^2 = 9x^2 y^2 z^2 \end{aligned}$$

$$\begin{aligned} \oiint_{\partial V} \mathbf{A} \cdot \hat{\mathbf{n}} dS &= \iiint_V \operatorname{div} \mathbf{A} dV = \iiint_V 9x^2 y^2 z^2 dx dy dz = \\ &= 9 \int_{-1}^1 x^2 dx \int_{-1}^1 y^2 dy \int_{-1}^1 z^2 dz = 9 \left(\int_{-1}^1 x^2 dx \right)^3 = \\ &= 9 \cdot \left(\frac{2}{3} \right)^3 = 9 \cdot \frac{8}{27} = \frac{8}{3}. \end{aligned}$$

Uppgift 6.6 (Sid. 6)

Lösning

$$\underline{A(x,y,z) = (0, x+z, 0)}.$$

$$\underline{S: r(u,v) = (\cos u + v, \cos v, v+1); 0 \leq u \leq \frac{\pi}{2}, 0 \leq v \leq 1}.$$

$$\begin{aligned} A \cdot \hat{n} dS &= A(r(u,v)) \cdot (r'_u \times r'_v) du dv = \\ &= (0, \cos u + 2v + 1, 0) \cdot (0, \sin u, \sin u \sin v) du dv = \\ &= \sin u (\cos u + 2v + 1) du dv = \\ &= (\sin u \cos u + (2v+1) \sin u) du dv; \end{aligned}$$

$$\begin{aligned} \iint_S A \cdot \hat{n} dS &= \int_0^1 dv \int_0^{\pi/2} \left(\frac{1}{2} \sin 2u + (2v+1) \sin u \right) du = \\ &= \int_0^1 \left(\left[-\frac{1}{4} \cos 2u - (2v+1) \cos u \right]_{u=0}^{\pi/2} \right) dv = \\ &= \int_0^1 \left(\frac{1}{2} + 2v + 1 \right) dv = \int_0^1 \left(\frac{3}{2} + 2v \right) dv = 1 + \frac{3}{2} = \frac{5}{2}. \end{aligned}$$

Uppgift 6.7 (Sid. 6)

Lösning

$$\underline{A = (2x, -z, y)}.$$

$$\underline{S: r(u,v) = (u, v \cos u, v \sin u); 0 \leq u \leq \pi, 0 \leq v \leq 1}.$$

$$r'_u \times r'_v = (1, -v \sin u, v \cos u) \times (0, \cos u, \sin u) =$$

$$\begin{aligned} &= (-v, \sin u, \cos u) \Rightarrow \underline{A \cdot \hat{n} dS} = A \cdot (-(r'_u \times r'_v)) du dv = \\ &= (2u, -v \sin u, v \cos u) \cdot (v, -\sin u, -\cos u) du dv = \\ &= (2uv - v) du dv = \underline{(2u-1)v du dv}; 0 \leq u \leq \pi, 0 \leq v \leq 1. \\ \iint_S A \cdot \hat{n} dS &= \int_0^{\pi} (2u-1) du \int_0^1 v dv = \frac{\pi^2 - \pi}{2}. \end{aligned}$$

Uppgift 6.8 (Sid. 6)

Lösning

$$\underline{F(x,y,z) = (x+z, y+z, z^2)}.$$

$$S: r(u,v) = (\sqrt{2} \cos u, \sqrt{2} \sin u, v); 0 \leq u \leq 2\pi, 0 \leq v \leq 1$$

$$r'_u \times r'_v = \begin{vmatrix} \hat{x} & \hat{y} & \hat{z} \\ -\sqrt{2} \sin u & \sqrt{2} \cos u & 0 \\ 0 & 0 & 1 \end{vmatrix} = \sqrt{2} (\cos u, \sin u, 0)$$

$$\begin{aligned} \Rightarrow F \cdot \hat{n} dS &= F(r(u,v)) \cdot (r'_u \times r'_v) du dv = \\ &= 2(\cos^2 u + \cos u \sin u + 2 \sin^2 u) du dv = \\ &= (2 + 2 \cos u \sin u) du dv = \\ &= (2 + \sin 2u) du dv \Rightarrow \\ \iint_S F \cdot \hat{n} dS &= \int_0^{2\pi} (2 + \sin 2u) du \int_0^1 dv = \\ &= \left[2u - \frac{1}{2} \cos 2u \right]_0^{2\pi} \cdot [v]_0^1 = \underline{4\pi}. \end{aligned}$$

Uppgift 6.9 (Sid. 6)Lösning

$$\underline{A(x, y, z) = e^{x^2+y^2}(x, y, z)}$$

$$S: \mathbf{r}(u, v) = (u, v, 1-u^2-v^2), \quad D: u^2+v^2 \leq 1.$$

$$\begin{aligned} A \cdot \hat{n} dS &= e^{u^2+v^2}(u, v, 1-u^2-v^2) \cdot (2u, 2v, 1) du dv = \\ &= e^{u^2+v^2}(2u^2+2v^2+1-u^2-v^2) du dv = \\ &= e^{u^2+v^2}(u^2+v^2+1) du dv; \end{aligned}$$

$$\begin{aligned} \iint_S A \cdot \hat{n} dS &= \iint_D e^{u^2+v^2}(u^2+v^2+1) du dv = \left[\begin{array}{l} u = r \cos \theta \\ v = r \sin \theta \end{array} \right] = \\ &= \int_0^1 e^{r^2} (r^2+1) r dr \int_0^{2\pi} d\theta = \pi \int_0^1 (1+r^2) e^{r^2} 2r dr = \\ &= \int_0^1 (t+1) e^t dt = \pi [te^t]_0^1 = \pi e. \end{aligned}$$

Uppgift 6.10 (Sid. 6)Lösning

$$\begin{aligned} x^2+y^2-z^2+4z &= 4 \Leftrightarrow z^2-4z+4 = x^2+y^2 \Leftrightarrow (z-2)^2 = \\ &= x^2+y^2 \Leftrightarrow z-2 = \pm \sqrt{x^2+y^2} \Leftrightarrow z = 2 - \sqrt{x^2+y^2} \quad (0 \leq z \leq 2). \end{aligned}$$

$$S: \mathbf{r}(u, v) = (u \cos v, u \sin v, 2-u), \quad 0 \leq u \leq 2, \quad 0 \leq v \leq 2\pi;$$

$$\begin{aligned} \mathbf{r}'_u \times \mathbf{r}'_v &= (\cos v, \sin v, -1) \times (-u \sin v, u \cos v, 0) = \\ &= u(\cos v, \sin v, 1). \end{aligned}$$

$$A(x, y, z) = (x^2+y^2, y^2+z^2, x^2+z^2);$$

$$A(\mathbf{r}(u, v)) = (u^2, u^2 \sin^2 v + (2-u)^2, u^2 \cos^2 v + (2-u)^2);$$

$$\begin{aligned} A \cdot \hat{n} dS &= A(\mathbf{r}(u, v)) \cdot (\mathbf{r}'_u \times \mathbf{r}'_v) du dv = \\ &= (u^3 \cos v + u^3 \sin^3 v + u(2-u)^2 \sin v + u^3 \cos^2 v + u(2-u)^2) du dv \\ \iint_S A \cdot \hat{n} dS &= \int_0^2 u^3 du \int_0^{2\pi} \cos v dv + \int_0^2 u^3 du \int_0^{2\pi} \sin^3 v dv + \\ &+ \int_0^2 u(u-2)^2 du \int_0^{2\pi} \sin v dv + \\ &+ \int_0^2 u^3 du \int_0^{2\pi} \cos^2 v dv + \int_0^2 u(2-u)^2 du \int_0^{2\pi} dv \\ &= 0 + 0 + 0 + \pi \int_0^2 u^3 du + 2\pi \int_0^2 (u^3 - 4u^2 + 4u) du \\ &= 4\pi + \frac{8\pi}{3} = \frac{20\pi}{3}. \end{aligned}$$

$$\underline{\text{Anm.}} \quad \int_0^{2\pi} \cos x dx = \int_0^{2\pi} \sin x dx = 0.$$

$$\int_0^{2\pi} \cos^2 x dx = \int_0^{2\pi} \sin^2 x dx = \pi.$$

$$\int_0^{2\pi} \cos^3 x dx = \int_0^{2\pi} \sin^3 x dx = 0.$$

Detta reducerar räkningarna avsevärt.

Uppgift 6.11 (Sid. 6)

Lösning

$$S: \mathbf{r}(u, v) = (\sin u \cos v, \sin u \sin v, \cos u), \quad \begin{cases} 0 \leq u \leq \pi \\ 0 \leq v \leq 2\pi \end{cases}$$

$$A(x, y, z) = xyz(1, 1, 1);$$

$$\begin{aligned} A \cdot \hat{n} dS &= A(\mathbf{r}(u, v)) \cdot (\mathbf{r}'_u \times \mathbf{r}'_v) du dv = \\ &= (\sin^3 u \cos u \cdot \cos^2 v \sin v + \sin^3 u \cos u \sin^2 v \cos v + \\ &\quad + \sin^2 u \cos^2 u \sin v \cos v) du dv; \end{aligned}$$

$$\begin{aligned} \iint_S A \cdot \hat{n} dS &= \int_0^\pi \sin^3 u \cos u du \int_0^{2\pi} \cos^2 v \sin v dv + \\ &\quad + \int_0^\pi \sin^3 u \cos u du \int_0^{2\pi} \sin^2 v \cos v dv + \\ &\quad + \int_0^\pi \sin^2 u \cos^2 u du \int_0^{2\pi} \sin v \cos v dv = 0. \end{aligned}$$

Uppgift 6.12 (Sid. 6)

Lösning

$$S: \mathbf{r}(u, v) = (u \cos v, u \sin v, u); \quad 1 \leq u \leq 2, \quad 0 \leq v \leq 2\pi$$

$$\hat{n} dS = (\mathbf{r}'_u \times \mathbf{r}'_v) du dv = (-u \cos v, -u \sin v, u) du dv$$

$$A(\mathbf{r}(u, v)) = (u^2 \cos^2 v, u^2 \sin^2 v, u^2); \quad \text{forts}$$

$$A \cdot \hat{n} dS = (-u^3 \cos^3 v - u^3 \sin^3 v + u^3) du dv$$

$$\begin{aligned} \iint_S A \cdot \hat{n} dS &= \int_1^2 u^3 du \int_0^{2\pi} (-\cos^3 v - \sin^3 v + 1) dv = \\ &= \int_1^2 u^3 du \cdot 2\pi = \frac{2^4 - 1}{4} \cdot 2\pi = \underline{\underline{\frac{15\pi}{2}}} \end{aligned}$$

Uppgift 6.13 (Sid. 6)

Lösning

$$A(x, y, z) = (xy^2z, x^2yz, xyz^2); \quad D: \begin{cases} x^2 + y^2 \leq 1 \\ z = 0 \end{cases}$$

Gauss' sats kan tillämpas.

$$\begin{aligned} \operatorname{div} A &= \partial_x(xy^2z) + \partial_y(x^2yz) + \partial_z(xyz^2) = \\ &= y^2z + x^2z + 2xyz; \end{aligned}$$

$$\begin{aligned} \iiint_{\partial V} A \cdot \hat{n} dS &= \iiint_V (y^2z + x^2z + 2xyz) dx dy dz = \\ &= \iiint_V (x^2 + y^2)z dx dy dz + 2 \iiint_V xyz dV = \\ &= \iint_D \left(\int_0^1 z dz \right) (x^2 + y^2) dx dy = \left[\begin{array}{l} x = r \cos v \\ y = r \sin v \end{array} \right] = \\ &= \frac{1}{2} \int_0^1 r^3 dr \int_0^{2\pi} d\theta = \underline{\underline{\frac{\pi}{4}}}. \end{aligned}$$

$$\underline{\text{Ann.}} \quad \iiint_V xyz dV = \int_0^1 z dz \int_{-1}^1 dx \times \int_{-\sqrt{1-x^2}}^{\sqrt{1-x^2}} y dy = 0.$$

Uppgift 6.14 (Sid. 6)

Lösning

Jag kommer att använda Gauss' sats.

$$F(x,y,z) = (x^2yz, xy^2z, xyz^2) \Rightarrow \operatorname{div} F = 6xyz;$$

$$V: \underline{x^2+y^2+z^2 \leq 1; x,y,z \geq 0}; \quad D: \underline{x^2+y^2 \leq 1, x,y \geq 0}.$$

D är V:s projektion i xy-planet.

$$\begin{aligned} \oiint_{\partial V} F \cdot \hat{n} dS &= 6 \iiint_V xyz dx dy dz = \\ &= 3 \iint_D \left(\int_0^{\sqrt{1-x^2-y^2}} 2z dz \right) xy dx dy = \\ &= 3 \iint_D (1-x^2-y^2) xy dx dy = \\ &= \left[\begin{array}{l} x = r \cos \theta \quad | \quad 0 \leq r \leq 1 \\ y = r \sin \theta \quad | \quad 0 \leq \theta \leq \pi/2 \end{array} \right] = \\ &= 3 \int_0^1 (1-r^2) r^3 dr \int_0^{\pi/2} \sin \theta \cos \theta d\theta = \\ &= 3 \int_0^1 (r^3 - r^5) dr \cdot \frac{1}{2} \int_0^{\pi/2} \sin 2\theta d\theta = \\ &= \frac{3}{2} \left[\frac{1}{4} r^4 - \frac{1}{6} r^6 \right]_0^1 \cdot \left[-\frac{1}{2} \cos 2\theta \right]_0^{\pi/2} = \\ &= \frac{3}{2} \cdot \frac{1}{12} \cdot 1 = \underline{\underline{\frac{1}{8}}}. \end{aligned}$$

Uppgift 6.15 (Sid. 6)

Lösning

$$\begin{aligned} x^2+y^2+z^2 = 3+4x+2y+2z &\Leftrightarrow (x^2-4x+4) + (y^2-2y+1) + \\ &+ (z^2-2z+1) = 3+1+4+1 = 9 \Leftrightarrow \underline{\underline{(x-2)^2 + (y-1)^2 + (z-1)^2 = 3^2}} \end{aligned}$$

Jag kommer att använda Gauss' sats:

$$A(x,y,z) = (y^2, 2xy, 0) \Rightarrow \operatorname{div} A = 2x; \quad S = \partial V.$$

$$\oiint_S A \cdot \hat{n} dS = \iiint_V \operatorname{div} A dV = 2 \iiint_V x dx dy dz;$$

$$\begin{cases} x = 2 + r \sin u \cos v \\ y = 1 + r \sin u \sin v \\ z = 1 + r \cos v \end{cases} \Rightarrow dx dy dz \rightarrow \left| \frac{\partial(x,y,z)}{\partial(r,u,v)} \right| dr du dv$$

$$dV = r^2 \sin v dr du dv; \quad \Delta: \begin{cases} 0 \leq r \leq 3 \\ 0 \leq u \leq 2\pi \\ 0 \leq v \leq \pi \end{cases}$$

$$\begin{aligned} \oiint_S A \cdot \hat{n} dS &= \iiint_{\Delta} 2(2+r \sin u \cos v) r^2 \sin v dr du dv = \\ &= 2 \int_0^3 2r^2 dr \int_0^{2\pi} du \int_0^{\pi} \sin v dv + \\ &\quad + \int_0^3 r^3 dr \int_0^{2\pi} \sin u du \int_0^{\pi} \sin 2v dv = \\ &= 2 \left[\frac{2}{3} r^3 \right]_0^3 \cdot 2\pi \cdot 2 = 2^2 \cdot 9 \cdot 2\pi \cdot 2 = \underline{\underline{144\pi}}. \end{aligned}$$

Se f.ö. Anm. på sidan 293 i Persson/Böiers.

Uppgift 6.16 (Sid. 6)

Lösning

Jag kommer att använda Gauss' sats:

$$A(x, y, z) = (x^3, y^3, z^3) \Rightarrow \operatorname{div} A = \underline{3(x^2 + y^2 + z^2)};$$

$$\underline{K: \sqrt{x^2 + y^2} \leq z \leq 1; \quad D: x^2 + y^2 \leq 1, z = 0.}$$

$$\begin{aligned} \oint_{\partial K} A \cdot \hat{n} \, dS &= \iiint_K \operatorname{div} A \, dV = 3 \iiint_K (x^2 + y^2 + z^2) \, dx \, dy \, dz = \\ &= \iint_D \left(3 \int_{\sqrt{x^2 + y^2}}^1 (x^2 + y^2 + z^2) \, dz \right) dx \, dy = \\ &= \iint_D \left([3(x^2 + y^2)z + z^3]_{z=\sqrt{x^2 + y^2}}^1 \right) dx \, dy = \\ &= \iint_D (3(x^2 + y^2) + 1 - 4(x^2 + y^2)^{3/2}) \, dx \, dy = \\ &= \left[\begin{array}{l} x = r \cos \theta \quad | \quad 0 \leq r \leq 1 \\ y = r \sin \theta \quad | \quad 0 \leq \theta \leq 2\pi \end{array} \right] dx \, dy \rightarrow r \, dr \, d\theta = \\ &= \int_0^1 (3r^2 + 1 - 4r^3) r \, dr \int_0^{2\pi} d\theta = \\ &= \int_0^1 (3r^3 + r - 4r^4) \, dr \cdot 2\pi \\ &= 2\pi \left[\frac{3}{4} r^4 + \frac{1}{2} r^2 - \frac{4}{5} r^5 \right]_0^1 = 2\pi \cdot \frac{9}{20} = \frac{9\pi}{10}. \end{aligned}$$

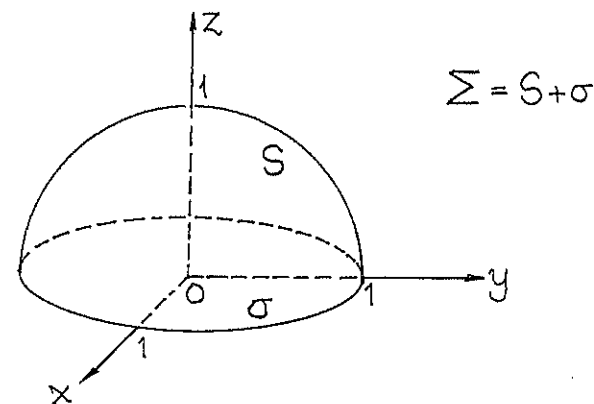
Gauss' sats tillämpas på slutna ytor.

Uppgift 6.17 (Sid. 6)

Lösning

Jag stänger halvsfären med enhetsskivan

$x^2 + y^2 \leq 1, z = 0$, och tillämpar Gauss' sats:



$$A(x, y, z) = (xzy^2, x^2yz, x^2 + y^2) \Rightarrow \operatorname{div} A = (x^2 + y^2)z;$$

$$K: x^2 + y^2 + z^2 = 1, z \geq 0; \quad D: x^2 + y^2 \leq 1, z = 0;$$

$$\Sigma = \partial K = S + D; \quad S: x^2 + y^2 + z^2 = 1, z \geq 0.$$

$$\begin{aligned} \oint_{\Sigma} A \cdot \hat{n} \, dS &= \iiint_K \operatorname{div} A \, dx \, dy \, dz = \\ &= \iiint_K (zy^2 + x^2z) \, dx \, dy \, dz = \\ &= \iint_D (x^2 + y^2) \left(\int_0^{\sqrt{1-x^2-y^2}} z \, dz \right) dx \, dy = \\ &= \frac{1}{2} \iint_D (x^2 + y^2) \cdot [z^2]_{z=0}^{z=\sqrt{1-x^2-y^2}} dx \, dy = \end{aligned}$$

$$\begin{aligned}
 &= \iint_D \frac{1}{2}(x^2+y^2)(1-x^2-y^2) dx dy = \\
 &= \left[\begin{array}{l} x=r\cos\theta \mid 0 \leq r \leq 1 \\ y=r\sin\theta \mid 0 \leq \theta \leq 2\pi \end{array} \right] dx dy \rightarrow r dr d\theta = \\
 &= \frac{1}{2} \int_0^1 (r^2-r^4) \cdot r dr \int_0^{2\pi} d\theta = \\
 &= \pi \int_0^1 (r^3-r^5) dr = \frac{\pi}{12} \Leftrightarrow
 \end{aligned}$$

$$\begin{aligned}
 \iint_S A \cdot \hat{n} dS &= \frac{\pi}{12} - \iint_D A \cdot \hat{n} dS = \frac{\pi}{12} + \iint (x^2+y^2) dx dy = \\
 &= \frac{\pi}{12} + \int_0^1 r^3 dr \int_0^{2\pi} d\theta = \frac{\pi}{12} + \frac{\pi}{2} = \underline{\underline{\frac{7\pi}{12}}}
 \end{aligned}$$

Anm. "Locketts" utåtriktade normal är $\hat{n} = -\hat{z}$
 så att $A \cdot \hat{n} dS = (x^2+y^2) dS = (x^2+y^2) dx dy$.

Uppgift 6.18 (Sid. 6)

Lösning

$$\underline{\underline{A(x,y,z) = (x, y, z)}}$$

a) $S: r(u,v) = (R\cos u, R\sin u, v), 0 \leq u \leq 2\pi, -a \leq v \leq a;$

$$A \cdot \hat{n} dS \rightarrow A(r(u,v)) \cdot (r'_u \times r'_v) du dv =$$

$$= (R\cos u, R\sin u, v) \cdot (R\cos u, R\sin u, 0) du dv =$$

$$= R^2 du dv \Rightarrow \iint_S A \cdot \hat{n} dS = R^2 \cdot 2\pi R \cdot 2a = \underline{\underline{4\pi a R^3}}$$

b) $x^2+y^2=4z^2 \Leftrightarrow 2z = \sqrt{x^2+y^2} \Leftrightarrow z = \frac{1}{2}\sqrt{x^2+y^2}, 0 \leq z \leq 1$

$S: r(u,v) = (u\cos v, u\sin v, \frac{1}{2}u); 0 \leq u \leq 1, 0 \leq v \leq 2\pi$

$$r'_u \times r'_v = \begin{vmatrix} \hat{x} & \hat{y} & \hat{z} \\ \cos v & \sin v & 1/2 \\ -u\sin v & u\cos v & 0 \end{vmatrix} = (-\frac{1}{2}u\cos v, -\frac{1}{2}u\sin v, u);$$

$$A \cdot \hat{n} dS = A(r(u,v)) \cdot (r'_u \times r'_v) du dv =$$

$$= (u\cos v, u\sin v, \frac{u}{2}) \cdot (-\frac{u}{2}\cos v, -\frac{u}{2}\sin v, u) du dv$$

$$= (-\frac{u}{2} - \frac{u}{2}) du dv = 0 \Rightarrow \iint_S A \cdot \hat{n} dS = \underline{\underline{0}}$$

Uppgift 6.19 (Sid. 7)

Lösning

a) $S: r(u,v) = (\cos v, \sin v, u), 0 \leq u \leq 1, 0 \leq v \leq 2\pi$

$$A \cdot \hat{n} dS \rightarrow A(r(u,v)) \cdot (-r'_u \times r'_v) du dv =$$

$$= (\cos v, \sin v, u) \cdot (-\cos v, -\sin v, 0) du dv =$$

$$= -du dv;$$

$$\iint_S A \cdot \hat{n} dS = - \iint_S du dv = -A(S) = \underline{\underline{-2\pi}}$$

$$b) x^2+y^2=z+1; 0 \leq z \leq 1 \Leftrightarrow 1 \leq x^2+y^2 \leq 2 \Leftrightarrow 1 \leq \sqrt{x^2+y^2} \leq \sqrt{2}.$$

$$S: r(u,v) = (u \cos v, u \sin v, u^2-1), 1 \leq u \leq \sqrt{2}, 0 \leq v \leq 2\pi.$$

$$\begin{aligned} r'_u \times r'_v &= (\cos v, \sin v, 2u) \times (-u \sin v, u \cos v, 0) = \\ &= u(-2u \cos v, -2u \sin v, 1) \end{aligned}$$

$$\begin{aligned} A \cdot \hat{n} dS &\rightarrow A(r(u,v)) \cdot (r'_u \times r'_v) du dv = \\ &= \frac{1}{u} (\cos v, \sin v, 0) \cdot u(-2u \cos v, -2u \sin v, 1) du dv = \\ &= \underline{\underline{-2u du dv}}; \end{aligned}$$

$$\iint_S A \cdot \hat{n} dS = - \int_1^{\sqrt{2}} 2u du \int_0^{2\pi} dv = - [u^2]_1^{\sqrt{2}} \cdot 2\pi = \underline{\underline{-2\pi}}.$$

Uppgift 6.20 (Sid. 7)

Lösning

Jag kommer att tillämpa Gauss' sats.

$$F(x,y,z) = (x, -y^2, x^2+z^2-1) \Rightarrow \operatorname{div} F = 1-2y+2z$$

$$S: \frac{x^2}{a^2} + \frac{y^2}{b^2} + \frac{z^2}{c^2} = 1; \quad V = \operatorname{int}(S): \frac{x^2}{a^2} + \frac{y^2}{b^2} + \frac{z^2}{c^2} \leq 1.$$

$$\begin{aligned} \oiint_S F(x,y,z) \cdot \hat{n} dS &= \iiint_V (1-2y+2z) dx dy dz = \\ &= \iiint_V dx dy dz - 2 \iiint_V y dx dy dz + 2 \iiint_V z dx dy dz = \end{aligned}$$

$$\begin{aligned} &= \left[\begin{array}{l|l} x = a r \sin u \cos v & \Delta: 0 \leq r \leq 1, 0 \leq u \leq \pi, 0 \leq v \leq 2\pi \\ y = b r \sin u \sin v & \\ z = c r \cos u & \end{array} \right] \left. \begin{array}{l} dx dy dz \rightarrow abc r^2 \sin u dr du dv \end{array} \right] \\ &= abc \int_0^1 r^2 dr \cdot \int_0^\pi \sin u du \int_0^{2\pi} dv - \\ &\quad - 2abc^2 \int_0^1 r^3 dr \int_0^\pi \sin^2 u du \int_0^{2\pi} \sin v dv + \\ &\quad + 2abc^2 \int_0^1 r^3 dr \int_0^\pi \sin u \cos u du \int_0^{2\pi} dv = \\ &= abc \left[\frac{1}{3} r^3 \right]_0^1 \cdot [-\cos u]_0^\pi \cdot [v]_0^{2\pi} - 2ab^2c \cdot \frac{1}{4} \cdot \frac{\pi}{2} \cdot 0 + \\ &\quad + 2abc^2 \cdot \frac{1}{4} \cdot 0 \cdot 2\pi = \underline{\underline{\frac{4\pi}{3} abc}}. \end{aligned}$$

Anm. $V: \frac{x^2}{a^2} + \frac{y^2}{b^2} + \frac{z^2}{c^2} \leq 1$ speglar i koordinatplanen (dvs xy -, yz - och xz -planen) så att

$$\underline{\underline{\iiint_V x dV = \iiint_V y dV = \iiint_V z dV = 0.}}$$

Uppgift 6.21 (Sid. 7)

Lösning

$$a) S: r(u,v) = R(\sin u \cos v, \sin u \sin v, \cos u);$$

$$\Delta: 0 \leq u \leq \pi, 0 \leq v \leq 2\pi;$$

$$r'_u \times r'_v = R^2(\sin u \cos v, \sin u \sin v, \cos u) \sin u;$$

$$F(x, y, z) = (x^2, 2y, z).$$

$$F(r(u, v)) = (R^2 \sin^2 u \cos^2 v, 2R \sin u \sin v, R \cos u)$$

$$\begin{aligned} \omega &= F \cdot \hat{n} dS = F(r(u, v)) \cdot (r'_u \times r'_v) du dv = \\ &= (R^2 \sin^3 u \cos^3 v + 2R \sin^2 u \sin^2 v + R \cos^2 u) \cdot dS = \\ &= R^3 (R \sin^4 u \cos^3 v + 2 \sin^3 u \sin^2 v + \cos^2 u \sin u) du dv; \end{aligned}$$

$$\begin{aligned} \oiint_S F \cdot \hat{n} dS &= \iint_{\Delta} F(r(u, v)) \cdot (r'_u \times r'_v) du dv = \\ &= R^4 \int_0^\pi \sin^4 u du \int_0^{2\pi} \cos^3 v dv + \\ &+ 2R^3 \int_0^\pi \sin^3 u du \int_0^{2\pi} \sin^2 v dv + \\ &+ R^3 \int_0^\pi \cos^2 u \sin u du \int_0^{2\pi} dv = \\ &= 2R^3 \int_0^\pi (1 - \cos^2 u) \sin u du \cdot \int_0^{2\pi} \cos^2 v dv + \\ &+ R^3 \int_0^\pi \cos^2 u \sin u du \cdot 2\pi = \\ &= 2\pi R^3 \left[\frac{1}{3} \cos^3 u - \cos u \right]_0^\pi + \\ &+ 2\pi R^3 \left[-\frac{1}{3} \cos^3 u \right]_0^\pi = \underline{4\pi R^3}. \end{aligned}$$

Anmärkning: $\int_0^{2\pi} \cos^3 v dv = \int_0^{2\pi} \cos^2 v \cos v dv =$
 $= \int_0^{2\pi} (1 - \sin^2 v) \cos v dv = \left(\int_0^{\pi/2} + \int_{\pi/2}^{3\pi/2} + \int_{3\pi/2}^{2\pi} \right) \cos^3 v dv =$
 $= \frac{2}{3} + (-\frac{1}{3}) + \frac{2}{3} = 0.$

b) $F(x, y, z) = (x^2, 2y, z) \Rightarrow \operatorname{div} F = 2x + 3.$

Med $S: x^2 + y^2 + z^2 = R^2$ och $V: x^2 + y^2 + z^2 \leq R^2$ fås

$$\begin{aligned} \oiint_S F \cdot \hat{n} dS &= \iiint_V (2x + 3) dx dy dz = 2 \iiint_V x dx dy dz + \\ &+ 3 \iiint_V dx dy dz = 0 + 3 \cdot \frac{4}{3} \pi R^3 = 4\pi R^3. \end{aligned}$$

Anm $\iiint_V x dx dy dz = \iint_{y^2 + z^2 \leq 1} \left(\int_{-\sqrt{1-y^2-z^2}}^{\sqrt{1-y^2-z^2}} x dx \right) dy dz$
 $= \iint_{y^2 + z^2 \leq 1} \left(\left[\frac{1}{2} x^2 \right]_{-\sqrt{1-y^2-z^2}}^{\sqrt{1-y^2-z^2}} \right) dy dz = 0.$

Uppgift 6.22 (Sid. 7)

Lösning

$$A(x, y, z) = \frac{1}{\sqrt{x^2 + y^2}} (x, 1, 0)$$

$$0 \leq z \leq 1 \Leftrightarrow 0 \leq \sqrt{x^2 + y^2} + 1 \leq 1 \Leftrightarrow \underline{0 \leq \sqrt{x^2 + y^2} \leq 1};$$

$$S: r(u, v) = (u \cos v, u \sin v, 1 - u), \quad 0 \leq u \leq 1, \quad 0 \leq v \leq 2\pi.$$

$$\begin{aligned} A \cdot \hat{n} dS &\rightarrow A(r(u, v)) \cdot (r'_u \times r'_v) du dv = \\ &= \frac{1}{u} (u \cos v, 1, 0) \cdot u (\cos v, \sin v, 1) du dv \\ &= (u \cos^2 v + \sin v) du dv \Rightarrow \end{aligned}$$

$$\iint_S A \cdot \hat{n} dS = \int_0^1 du \int_0^{2\pi} (u \cos^2 v + \sin v) dv =$$

$$= \int_0^1 \pi u^2 du = \frac{\pi}{3}.$$

Uppgift 6.23 (Sid. 7)

Lösning

$$\underline{F(x, y, z) = \frac{1}{r^3} (x, y, z)}$$

Jag bestämmer flödet medelst Gauss' sats.

S: s-projektion i planet $z=1$ är skivan

$$\underline{\sigma: x^2 + y^2 \leq 1, z=1}$$

Jag stänger S med σ och sätter $\Sigma = S + \sigma$;

$$\underline{K: 1 \leq z \leq \sqrt{5-4x^2-4y^2}, x^2 + y^2 \leq 1; \Sigma = \partial K}$$

$$\underline{\operatorname{div} F} = \operatorname{div}(r^{-3} \mathbf{r}) = -3r^{-4} \hat{r} \cdot \mathbf{r} + r^{-3} \cdot 3 = -3r^{-3} + 3r^{-3} = 0.$$

Se uppgift 4.7 d).

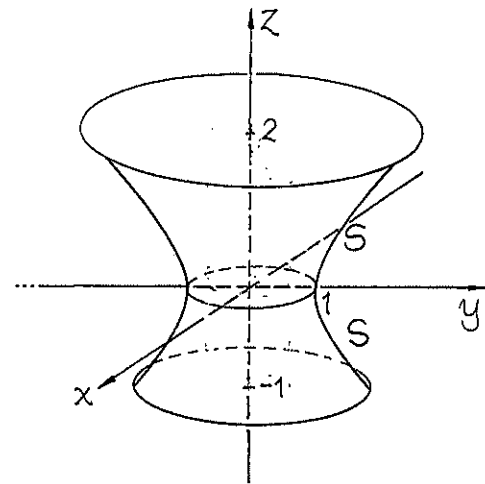
$$\oiint_{\Sigma} F \cdot \hat{n} dS = \iiint_K \operatorname{div} F dV = 0 \Leftrightarrow \iint_S A \cdot \hat{n} dS =$$

$$= - \iint_{\sigma} A \cdot (-\hat{z}) dS = \iint_{\sigma} \frac{1}{(x^2 + y^2 + 1)^{3/2}} dx dy = \int_{\text{ty } z=1} =$$

$$= \int_0^1 \frac{r}{(r^2 + 1)^{3/2}} dr \int_0^{2\pi} d\theta = 2\pi \left[-\frac{1}{\sqrt{r^2 + 1}} \right]_0^1 = \underline{\underline{\pi(2 - \sqrt{2})}}.$$

Uppgift 6.24 (Sid. 7)

Lösning



$$F(x, y, z) = \frac{(x, y, z)}{x^2 + y^2}$$

Fältet är radiellt (cylindersymmetriskt).

så flödet genom de plana ytorna är 0;

En parametrisering av den krökta ytan är

$$S: \mathbf{r}(u, v) = (\sqrt{u^2 + 1} \cos v, \sqrt{u^2 + 1} \sin v, u), \Delta: \begin{cases} -1 \leq u \leq 2 \\ 0 \leq v \leq 2\pi \end{cases}$$

$$\mathbf{r}'_u \times \mathbf{r}'_v = \left(\frac{u \cos v}{\sqrt{u^2 + 1}}, \frac{u \sin v}{\sqrt{u^2 + 1}}, 1 \right) \times \left(-\sqrt{u^2 + 1} \sin v, \sqrt{u^2 + 1} \cos v, 0 \right)$$

$$= (-\sqrt{u^2 + 1} \cos v, -\sqrt{u^2 + 1} \sin v, u) \text{ inåtriktad.}$$

$$F(r(u,v)) = \left(\frac{\cos v}{\sqrt{u^2+1}}, \frac{\sin v}{\sqrt{u^2+1}}, 0 \right) \Rightarrow A \cdot \hat{n} dS \rightarrow dudv \Rightarrow$$

$$\Rightarrow \iint_S A \cdot \hat{n} dS = \iint_{\Delta} dudv = 2\pi \cdot 3 = \underline{\underline{6\pi}}$$

Uppgift 6.25 (Sid. 7)

Lösning

$$u = \sqrt{x^2 + y^2 + z^2} \Rightarrow \text{grad } f(x,y,z) = -2u^{-3} \hat{u}, \text{ där}$$

$\hat{u} = \frac{(x,y,z)}{u}$ är en utåtriktad

$$\iint_{u=r} \text{grad} \frac{1}{u^2} \cdot \hat{n} dS = -2 \iint_{u=r} r^{-3} \hat{u} \cdot \hat{u} dS = -\frac{2}{r^3} \iint_{u=r} dS =$$

$$= -\frac{2}{r^3} \cdot 4\pi r^2 = \underline{\underline{-\frac{8\pi}{r}}}$$

Uppgift 6.26 (Sid. 7)

Lösning

$$S: r(u,v) = (2\cos u, \sin u, v+1), \quad 0 \leq u \leq 2\pi, \quad 0 \leq v \leq 1.$$

$$r'_u \times r'_v = (-2\sin u, \cos u, 0) \times (0, 0, 1) = (\cos u, 2\sin u, 0)$$

$$A(x,y,z) = \left(-\frac{6x}{x^2+y^2}, -\frac{6y}{x^2+y^2}, z+1 \right);$$

$$A(r(u,v)) = \left(-\frac{12\cos u}{4\cos^2 v + \sin^2 v}, -\frac{6\sin u}{4\cos^2 u + \sin^2 u}, v+1 \right) \Rightarrow$$

$$\Rightarrow A \cdot \hat{n} dS \rightarrow A(r(u,v)) \cdot (r'_u \times r'_v) dudv =$$

$$= -\frac{12}{4\cos^2 u + \sin^2 u} dudv =$$

$$= -\frac{12}{3\cos^2 u + 1} dudv =$$

$$= -\frac{12}{\frac{3}{2}(1+\cos 2v)+1} dudv =$$

$$= -\frac{24}{5+3\cos 2v} dudv \Rightarrow$$

$$\iint_S A \cdot \hat{n} dS = -24 \int_0^{2\pi} \frac{1}{5+3\cos 2u} du \int_0^1 dv =$$

$$= -24 \int_0^{2\pi} \frac{du}{5+3\cos 2u} = \text{/perioden } \pi/ =$$

$$= -48 \int_0^{\pi} \frac{du}{5+3\cos 2u} = \text{/}2u=w\text{/} =$$

$$= -24 \int_0^{2\pi} \frac{dw}{5+3\cos w} = -48 \int_0^{\pi} \frac{dw}{5+3\cos w} =$$

$$= -48 \cdot \frac{1}{2} \left[\arctan \frac{2\tan(w/2)}{4} \right]_0^{\pi} =$$

$$= -24 \cdot \frac{\pi}{2} = \underline{\underline{-12\pi}}$$

Anm. $f(u) = \frac{1}{5+3\cos 2u} \Rightarrow f(u+\pi) = f(u) \Rightarrow \int_0^{2\pi} f =$

$$= \left(\int_0^{\pi} + \int_{\pi}^{2\pi} \right) f(u) du = 2 \int_0^{\pi} f(u) du. \text{ P.s.s. fäs för}$$

$$g(w) = \frac{1}{5+3\cos w} = g(-w) \text{ att } \int_0^{2\pi} g = \left(\int_0^{\pi} + \int_{-\pi}^0 \right) g = 2 \int_0^{\pi} g.$$

Uppgift 6.27 (Sid. 7)

Lösning

$$\underline{A(x,y,z) = (x^3, y^3, z(z-1)e^{x^2+y^2})}$$

$$\underline{S: r(u,v) = (\cos u, \sin u, v); \Delta: 0 \leq u \leq 2\pi, 0 \leq v \leq 1}$$

$$r'_u \times r'_v = (-\sin u, \cos u, 0) \times (0, 0, 1) = (\cos u, \sin u, 0);$$

$$\begin{aligned} A \cdot \hat{n} dS &\rightarrow A(r(u,v)) \cdot (r'_u \times r'_v) du dv = \\ &= (\cos^3 u, \sin^3 u, e^v(v-1)) \cdot (\cos u, \sin u, 0) du dv \\ &= (\cos^4 u + \sin^4 u) du dv = \\ &= ((\cos^2 u)^2 + (\sin^2 u)^2) du dv = \\ &= \left(\left(\frac{1+\cos 2u}{2} \right)^2 + \left(\frac{1-\cos 2u}{2} \right)^2 \right) du dv \\ &= \frac{1}{4} (2 + 2\cos^2 2u) du dv = \\ &= \frac{1}{4} (3 + \cos 4u) du dv \Rightarrow \end{aligned}$$

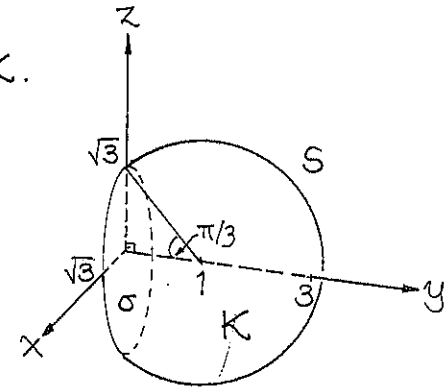
$$\iint_S A \cdot \hat{n} dS = \frac{1}{4} \int_0^{2\pi} (3 + \cos 4u) du \int_0^1 dv = \frac{1}{4} \cdot 6\pi = \frac{3\pi}{2}$$

Uppgift 6.28 (Sid. 7)

Lösning

$$\operatorname{div} F = \partial_x(2xy + x^2) + \partial_y(2 + yz) + \partial_z(2z^4) = \underline{2x + 2y + z + 8z^3}$$

$$\Sigma = S + \sigma = \partial K.$$



$$x^2 + (y-1)^2 + z^2 = 4 \Rightarrow |y=0| \Rightarrow x^2 + z^2 = 3$$

Jag stänger S med σ för att tillämpa Gauss' sats på det stympade klotet (se ovan).

$$\begin{cases} x = r \sin \theta \sin \varphi \\ y = 1 + r \cos \theta \\ z = r \sin \theta \cos \varphi \end{cases}; \Delta: 0 \leq r \leq 2, 0 \leq \theta \leq \frac{2\pi}{3}, 0 \leq \varphi \leq 2\pi$$

$$dV = dx dy dz \rightarrow r^2 \sin \theta dr d\theta d\varphi.$$

$$\begin{aligned} \iiint_{\Sigma} A \cdot \hat{n} dS &= \iiint_K (2x + 2y + z + 8z^3) dV = 2 \iiint_K y dV = \\ &= 2 \int_0^3 \pi y (x^2 + z^2) dy = 2\pi \int_0^3 y (4 - (y-1)^2) dy = \\ &= 2 \int_0^3 \pi (3y + 2y^2 - y^3) dy = 2 \left[\frac{3}{2} y^2 + \frac{2}{3} y^3 - \frac{1}{4} y^4 \right]_0^3 \pi = \\ &= 2 \left(\frac{27}{2} + 18 - \frac{81}{4} \right) \pi = \left(63 - \frac{81}{2} \right) \pi = \frac{45}{2} \pi \Leftrightarrow \end{aligned}$$

$$\iint_S A \cdot \hat{n} dS + \iint_{\sigma} A \cdot (-\hat{y}) dS = \frac{45}{2} \pi \Leftrightarrow \iint_S A \cdot \hat{n} dS = \frac{45}{2} \pi +$$

$$+\iint_{\sigma} A \cdot \hat{y} dS = \frac{45\pi}{2} + 2 \iint_{\sigma} dS = \frac{45\pi}{2} + 2 \cdot 3\pi = \underline{\underline{\frac{57\pi}{2}}}$$

Anm. På "locket" σ är $y=0$, så $A(\sigma) = (0, 2, 0)$

Integrationselementet kan väljas godtyckligt; jag har ovan använt "skivformeln":

$$dV = \pi(x^2 + y^2) dy = \pi(4 - (y-1)^2) dy.$$

K speglar i yz - och xy -planet så vi får

$$\int_K x dV = \int_K z dV = \int_K z^3 dV = 0 \quad (*)$$

Integralerna i $(*)$ är trippelintegraler.

7. Kurvintegraler, Stokes sats

Uppgift 7.1 (Sid. 7)

Lösning

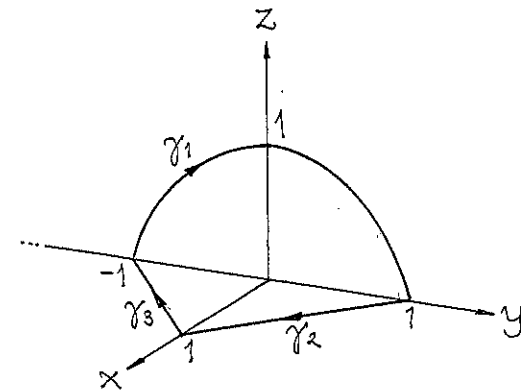
$$\underline{\underline{\gamma: r(t) = (t, t^2, t^3), 0 \leq t \leq 1; F(x, y, z) = (\sqrt{y}, 2x, 3y)}}$$

$$\begin{aligned} \int_{\gamma} F \cdot dr &= \int_0^1 F(r(t)) \cdot r'(t) dt = \int_0^1 (t, 2t, 3t^2) \cdot (1, 2t, 3t^2) dt = \\ &= \int_0^1 (t + 4t^2 + 9t^4) dt = \left[\frac{t^2}{2} + \frac{4t^3}{3} + \frac{9t^5}{5} \right]_0^1 = \frac{109}{30} \end{aligned}$$

Uppgift 7.2 (Sid. 8)

Lösning

$$\underline{\underline{F(x, y, z) = (xz, xy^2 + 2z, xy + z)}}$$



$$\underline{\underline{\gamma_1 + \gamma_2 + \gamma_3 = \gamma}}$$

$$(1) \underline{\underline{\gamma_1: r(t) = (0, -\cos t, \sin t), 0 \leq t \leq \pi}}$$

$$F(r(t)) = (0, 2\sin t, \sin t); \quad \frac{dr}{dt} = (0, \sin t, \cos t);$$

$$\begin{aligned} \int_{\gamma_1} F \cdot dr &= \int_0^{\pi} (0, 2\sin t, \sin t) \cdot (0, \sin t, \cos t) dt = \\ &= \int_0^{\pi} (2\sin^2 t + \sin t \cos t) dt = \\ &= \int_0^{\pi} (1 - \cos 2t + \frac{1}{2} \sin 2t) dt = \pi \end{aligned}$$

$$(2) \underline{\underline{\gamma_2: r(t) = (t, 1-t, 0), 0 \leq t \leq 1}}$$

$$F(r(t)) = (0, t(1-t)^2, t(1-t)); \quad \frac{dr}{dt} = (1, -1, 0);$$

$$\int_{\gamma_2} F \cdot dr = \int_0^1 t(1-t)^2 dt = \int_0^1 (t - 2t^2 + t^3) dt = -\frac{1}{12}$$

③ $\gamma_3: \mathbf{r}(t) = (1-t, -t, 0), 0 \leq t \leq 1.$

$\mathbf{F}(\mathbf{r}(t)) = (0, (1-t)t^2, t(t-1)); \frac{d\mathbf{r}}{dt} = (-1, -1, 0);$

$\int_{\gamma_3} \mathbf{F} \cdot d\mathbf{r} = \int_0^1 t^2(t-1) dt = \int_0^1 (t^3 - t^2) dt = -\frac{1}{12}.$

$\oint_{\gamma} \mathbf{F} \cdot d\mathbf{r} = \int_{\gamma_1} \mathbf{F} \cdot d\mathbf{r} + \int_{\gamma_2} \mathbf{F} \cdot d\mathbf{r} + \int_{\gamma_3} \mathbf{F} \cdot d\mathbf{r} = \pi - \frac{1}{12} - \frac{1}{12} = \underline{\underline{\pi - \frac{1}{6}}}.$

Uppgift 7.3 (Sid. 8)

Lösning

Jag kommer att tillämpa Stokes' sats.

$\mathbf{F}(x, y, z) = (3x^2z, y^3 - x^3, 2y + x);$

$\text{rot } \mathbf{F} = \begin{vmatrix} \hat{x} & \hat{y} & \hat{z} \\ \frac{\partial}{\partial x} & \frac{\partial}{\partial y} & \frac{\partial}{\partial z} \\ 3x^2z & y^3 - x^3 & 2y + x \end{vmatrix} = (2, 3x^2 - 1, -3x^2).$

$S: \mathbf{r}(u, v) = (u, v, -u - v); \Delta: u^2 + v^2 \leq 1.$

$\mathbf{r}'_u \times \mathbf{r}'_v = (1, 1, 1) \Rightarrow \oint_{\gamma} \mathbf{F} \cdot d\mathbf{r} = \iint_{\Delta} (\text{rot } \mathbf{F}) \cdot (1, 1, 1) du dv$
 $= \iint_{\Delta} (2, 3u^2 - 1, -3u^2) \cdot (1, 1, 1) dv = \iint_{\Delta} du dv = \mathcal{A}(D) = \pi.$

Som linjeintegral blir den svårare; krångliga fältuttryck medför... Stokes sats.

Uppgift 7.4 (Sid. 8)

Lösning

(1) Som linjeintegral

$0 \leq z \leq 1 \Leftrightarrow 0 \leq 1 - (x^2 + y^2)^{3/2} \leq 1 \Leftrightarrow \Delta: x^2 + y^2 \leq 1.$

$\gamma: \mathbf{r}(t) = (\cos t, \sin t, 0), 0 \leq t \leq 2\pi.$

$\int_{\gamma} \mathbf{F} \cdot d\mathbf{r} = \int_0^{2\pi} \mathbf{F}(\mathbf{r}(t)) \cdot \mathbf{r}'(t) dt =$
 $= \int_0^{2\pi} (0, \cos t, \sin t) \cdot (-\sin t, \cos t, 0) dt =$
 $= \int_0^{2\pi} \cos^2 t dt = \underline{\underline{\pi}}.$

(2) Som ytintegral

$\text{rot } \mathbf{F} = (1, 1, 1);$

$S: \mathbf{r}(u, v) = (u \cos v, u \sin v, 1 - u^3); \Delta: \begin{cases} 0 \leq u \leq 1 \\ 0 \leq v \leq 2\pi \end{cases}$

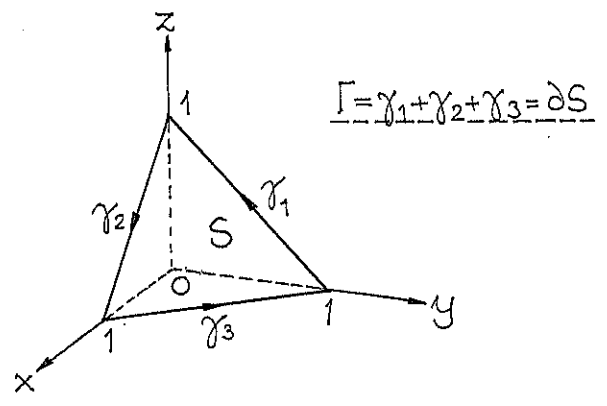
$(\text{rot } \mathbf{F}) \cdot \hat{n} dS = (1, 1, 1) \cdot (3u^3 \cos v, 3u^3 \sin v, u) du dv$
 $= (3u^3(\cos v + \sin v) + u) du dv.$

$\iint_S (\text{rot } \mathbf{F}) \cdot \hat{n} dS = \int_0^1 du \int_0^{2\pi} (3u^2(\cos v + \sin v) + u) dv$
 $= \int_0^1 (\int_0^{2\pi} u dv) du = \int_0^1 u du \int_0^{2\pi} dv = \underline{\underline{\pi}}.$

Därmed är Stokes sats verifierad.

Uppgift 7.5 (Sid. 8)

Lösning: $F(x,y,z) = (x^2, x^2+y^2, x^2+y^2+z^2)$



Jag kommer att använda Stokes sats:

S: $r(u,v) = (u, v, 1-u-v)$, $\Delta: 0 \leq u \leq 1, 0 \leq v \leq 1-u$.

$\text{rot } F = (2y, -2x, 2x)$; $r'_u \times r'_v = (1, 1, 1)$.

$(\text{rot } F) \cdot \hat{n} dS = (2v, -2u, +2u) \cdot (1, 1, 1) dudv = 2vdudv$

$$\oint_{\Gamma} F \cdot dr = \iint_{\Delta} 2vdudv = \int_0^1 du \int_0^{1-u} 2vdv =$$

$$= \int_0^1 (1-u)^2 du = \left[-\frac{1}{3}(1-u)^3 \right]_0^1 = \frac{1}{3}$$

Anm Denna integral kan bestämmas som linjeintegral. Låt mig göra det och på så sätt verifiera Stokes' sats.

(1) $\gamma_1: r(t) = (0, 1-t, t), 0 \leq t \leq 1$

$F \cdot dr = (0, (1-t)^2, (1-t)^2+t^2) \cdot (0, -1, 1) dt = t^2 dt$;

$\int_{\gamma_1} F \cdot dr = \int_0^1 t^2 dt = \frac{1}{3}$

(2) $\gamma_2: r(t) = (t, 0, 1-t), 0 \leq t \leq 1$.

$F \cdot dr = (t^2, t^2, t^2+(1-t)^2) \cdot (1, 0, -1) dt = -(1-t)^2 dt$;

$\int_{\gamma_2} F \cdot dr = -\int_0^1 (1-t)^2 dt = \left[\frac{1}{3}(1-t)^3 \right]_0^1 = -\frac{1}{3}$;

(3) $\gamma_3: r(t) = (1-t, t, 0), 0 \leq t \leq 1$.

$F \cdot dr = ((1-t)^2, (1-t)^2+t^2, (1-t)^2+t^2) \cdot (-1, 1, 0) dt =$
 $= t^2 dt$;

$\int_{\gamma_3} F \cdot dr = \int_0^1 t^2 dt = \frac{1}{3}$

(4) $\oint_{\Gamma} F \cdot dr = (\int_{\gamma_1} + \int_{\gamma_2} + \int_{\gamma_3}) F \cdot dr = \frac{1}{3} - \frac{1}{3} + \frac{1}{3} = \frac{1}{3}$

Resultat: $\oint_{\Gamma} F \cdot dr = \iint_S (\text{rot } F) \cdot \hat{n} dS = \frac{1}{3}$

Uppgift 7.6 (Sid. 8)

Lösning

Man kan bestämma integralen som linje-

integral; jag räknar med Stokes sats, dvs använder ytintegration.

$$F(x,y,z) = (xz, yz, x^3y^4) \Rightarrow \text{rot}F = (4x^3y^3 - y, x - 3x^2y^4, 0).$$

$$S: r(u,v) = (u, v, 3u+4v), \quad \Delta: 0 \leq u, v \leq 1.$$

$$r'_u \times r'_v = (1, 0, 3) \times (0, 1, 4) = (3, 4, -1);$$

$$(r'_u \times r'_v) \cdot (0, 0, 10) = -10 \Rightarrow \text{jag använder } -r'_u \times r'_v.$$

$$\begin{aligned} \int_{\Gamma} F \cdot dr &\stackrel{!}{=} - \iint_{\Delta} \text{rot}F \cdot r'_u \times r'_v \, dudv = \\ &= - \iint_{\Delta} (12u^3v^3 - 12u^2v + 4u - 3v) \, dudv = \\ &= \iint_{\Delta} 12u^2v^5 \, dv = 12 \int_{-1}^1 u^2 \, du \int_{-1}^1 v^4 \, dv = \\ &= 12 \cdot \frac{2}{3} \cdot \frac{2}{5} = \underline{\underline{\frac{16}{5}}}. \end{aligned}$$

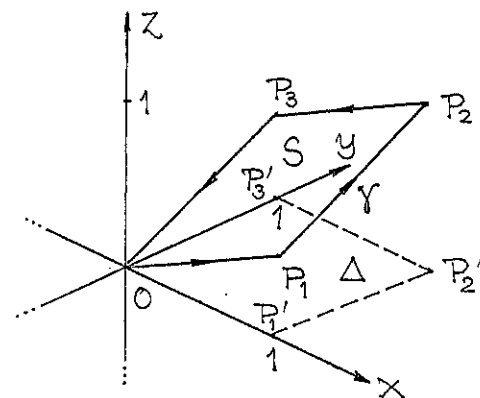
$$\text{Anm. } \int_{-1}^1 u^3 \, du = \int_{-1}^1 v^3 \, dv = \int_{-1}^1 u \, du = \int_{-1}^1 v \, dv = \underline{\underline{0}}.$$

Uppgift 7.7 (Sid. 8)

Lösning

$$P_1 = (1, 0, 1/2), \quad P_2 = (1, 1, 1), \quad P_3 = (0, 1, 1/2);$$

$$F(x,y,z) = (e^{x^2+y^2}, e^{y^2+2z^2}, e^{z^2+3x^2});$$



Jag bestämmer ekvationen för planet gm punkterna P_1, P_2 och P_3 . Observera att $\overrightarrow{OP_1} + \overrightarrow{OP_3} = \overrightarrow{OP_2}$, dvs origo och P_1, P_2, P_3 ligger är komplanar.

$$n = \overrightarrow{OP_1} \times \overrightarrow{OP_3} = (1, 0, \frac{1}{2}) \times (0, 1, \frac{1}{2}) = (-\frac{1}{2}, -\frac{1}{2}, 1);$$

Planets ekvation är alltså

$$\pi: -\frac{1}{2}x - \frac{1}{2}y + z = 0.$$

Jag behöver vidare S:s projektion i xy-planet.

$$P'_1 = (1, 0, 0), \quad P'_2 = (1, 1, 0), \quad P'_3 = (0, 1, 0);$$

$$\text{rot}F = (-4z, -6x, -2y);$$

$$S: r(u,v) = (u, v, \frac{1}{2}u + \frac{1}{2}v), \quad \Delta: 0 \leq u, v \leq 1 \quad (\text{se ovan}).$$

$$\begin{aligned} r'_u \times r'_v &= (1, 0, \frac{1}{2}) \times (0, 1, \frac{1}{2}) = (-\frac{1}{2}, -\frac{1}{2}, 1); \\ \int_{\gamma} \mathbf{F} \cdot d\mathbf{r} &= \iint_S (-4z, -6x, -2y) \cdot (-\frac{1}{2}, -\frac{1}{2}, 1) dS = \\ &= \iint_S (2z + 3x - 2y) dS = \\ &= \iint_{\Delta} (u + v + 3u - 2v) du dv = \\ &= \iint_{\Delta} (4u - v) du dv = 2 - \frac{1}{2} = \frac{3}{2}. \end{aligned}$$

Uppgift 7.8 (Sid. 8)

Lösning

Jag kommer att använda Stokes' sats.

Kurvans projektion i xy -planet bestäms:

$$z\text{-koordinaterna lika} \Rightarrow z = \frac{1-y}{2} = 2 - \sqrt{x^2 + y^2} \Rightarrow$$

$$1-y = 4 - 2\sqrt{x^2 + y^2} \Leftrightarrow 2\sqrt{x^2 + y^2} = y + 3 \Rightarrow 4(x^2 + y^2) =$$

$$= y^2 + 6y + 9 \Leftrightarrow 4x^2 + 3y^2 - 6y = 9 \Leftrightarrow 4x^2 + 3(y-1)^2 = 12$$

$$\Leftrightarrow \frac{x^2}{3} + \frac{(y-1)^2}{4} = 1.$$

$$\mathbf{A}(x, y, z) = (-y, x, z) \Rightarrow \text{rot } \mathbf{A} = (0, 0, 2)$$

$$\underline{S: \mathbf{r}(u, v) = (u, v, \frac{1}{2} - \frac{1}{2}v); \quad \Delta: \frac{u^2}{3} + \frac{(v-1)^2}{4} \leq 1.}$$

Observera att alla S^1 -ytor med γ tillrand ger samma ytintegral.

$$r'_u \times r'_v = (1, 0, 0) \times (0, 1, -\frac{1}{2}) = (0, \frac{1}{2}, 1)$$

$$\begin{aligned} \oint_{\gamma} \mathbf{F} \cdot d\mathbf{r} &= \iint_{\Delta} (0, 0, 2) \cdot (0, \frac{1}{2}, 1) du dv = 2 \iint_{\Delta} du dv = \\ &= 2 \cdot \pi \cdot \sqrt{3} \cdot 2 = \underline{4\sqrt{3}\pi}. \end{aligned}$$

$$\underline{\text{Anm. } D: \frac{(x-x_0)^2}{a^2} + \frac{(y-y_0)^2}{b^2} \leq 1 \Rightarrow \mathcal{A}(D) = \pi \cdot ab.}$$

Uppgift 7.9 (Sid. 8)

Lösning

Jag kommer att använda Stokes' sats.

$$\mathbf{F}(x, y, z) = (x+y+z, xyz, z^2) \Rightarrow \underline{\text{rot } \mathbf{F} = (-xy, 1, yz-1)}$$

$$\underline{S: \mathbf{r}(u, v) = (u, v, 5 - \sqrt{5}u), \quad \Delta: u^2 + v^2 \leq 5.}$$

$$\begin{aligned} \int_{\gamma} \mathbf{F} \cdot d\mathbf{r} &= \iint_{\Delta} \text{rot } \mathbf{F} \cdot (r'_u \times r'_v) du dv = \\ &= \iint_{\Delta} (-uv, 1, v(5 - \sqrt{5}u) - 1) \cdot (\sqrt{5}, 0, 1) du dv \\ &= \iint_{\Delta} (-\sqrt{5}uv + 5v - \sqrt{5}uv - 1) du dv = \\ &= \iint_{\Delta} (5 - 2\sqrt{5}u)v du dv - \iint_{\Delta} du dv = \end{aligned}$$

$$= \int_{-\sqrt{5}}^{\sqrt{5}} du (5 - 2\sqrt{5}u) \int_{-\sqrt{5-u^2}}^{\sqrt{5-u^2}} v dv - A(\Delta) = 0 - 5\pi = \underline{\underline{-5\pi}}$$

Problem 7.10 (Sid. 8)

Lösning

Jag kommer att använda Stokes sats så jag behöver ytstyckets projektion i xy -planet; z -koordinaterna lika ger mig

$$x^2 + y^2 = 1 - 2x - 2y \Leftrightarrow \underline{\underline{\Delta: (x+1)^2 + (y+1)^2 = 3 = (\sqrt{3})^2}}$$

$$\mathcal{F}(x, y, z) = ((z-1)^3, x^3, y^3) \Rightarrow \underline{\underline{\text{rot } \mathcal{F} = (3y^2, 3(z-1)^2, 3x^2)}}$$

$$(0, 0, 20) \cdot (2, 2, 1) = 20 > 0 \Rightarrow \underline{\underline{\Gamma \text{ pos. orienterad}}}$$

$$\underline{\underline{S: \mathbf{r}(u, v) = (u, v, 1 - 2u - 2v), \Delta: u^2 + v^2 \leq 3}}$$

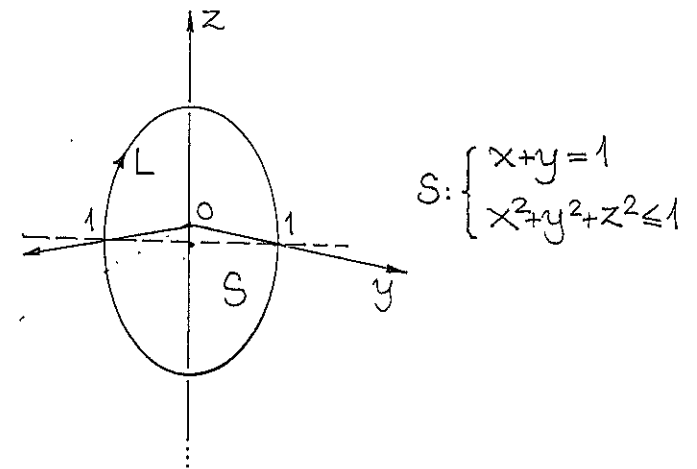
$$\begin{aligned} \int_{\underline{\underline{\Gamma}}} \mathcal{F} \cdot d\mathbf{r} &= \iint_{\Delta} (3v^2, 12(u+v)^2, 3u^2) \cdot (2, 2, 1) du dv = \\ &= \iint_{\Delta} (6v^2 + 24(u+v)^2 + 3u^2) du dv = \\ &= \iint_{\Delta} (27u^2 + 30v^2 + 48uv) du dv = \\ &= \left[\begin{array}{l|l} u = -1 + r \cos \theta & 0 \leq r \leq \sqrt{3} \\ v = -1 + r \sin \theta & 0 \leq \theta \leq 2\pi \end{array} \right] du dv \rightarrow r dr d\theta = \end{aligned}$$

$$\begin{aligned} &= \int_0^{\sqrt{3}} dr r \int_0^{2\pi} (105 + 27r^2 \cos^2 \theta + 30r^2 \sin^2 \theta - \\ &\quad - 108r(\sin \theta + \cos \theta) + 24r^2 \sin 2\theta) d\theta = \\ &= \int_0^{\sqrt{3}} (210\pi + 57r^2\pi) r dr = 3\pi \int_0^{\sqrt{3}} (70r + 19r^3) dr = \\ &= 3\pi \left[35r^2 + \frac{19r^4}{4} \right]_0^{\sqrt{3}} = 3\pi \left(105 + \frac{171}{4} \right) = \underline{\underline{\frac{1773}{4}\pi}} \end{aligned}$$

$$\begin{aligned} \underline{\underline{\text{Ann.}}} \int_0^{2\pi} \cos^2 x dx &= \int_0^{2\pi} \sin^2 x dx = \pi. \\ \int_0^{2\pi} \cos x dx &= \int_0^{2\pi} \sin x dx = \int_0^{2\pi} \sin 2x dx = 0. \end{aligned}$$

Uppgift 7.11 (Sid. 8)

Lösning



$$S: \begin{cases} x+y=1 \\ x^2+y^2+z^2 \leq 1 \end{cases}$$

Jag kommer att tillämpa Stokes sats:

$$\mathcal{F}(x, y, z) = (yz + y - z, xz + 5x, xy + 2y) \Rightarrow$$

$$\begin{aligned} \operatorname{rot} \mathbf{F} = (2, -1, 4) &\Rightarrow \int_L \mathbf{F} \cdot d\mathbf{r} = \iint_S (2, -1, 4) \cdot \left(-\frac{1}{\sqrt{2}}, -\frac{1}{\sqrt{2}}, 0\right) dS \\ &= -\frac{1}{\sqrt{2}} \cdot \mathcal{A}(S) = -\frac{\sqrt{2}}{2} \cdot \pi \left(\frac{\sqrt{2}}{2}\right)^2 = -\frac{\pi\sqrt{2}}{4}. \end{aligned}$$

Uppgift 7.12 (Sid. 9)

Lösning

Jag kommer att tillämpa Stokes sats, så jag behöver S 's projektion i xy -planet.

$$z = y - 1 \Rightarrow 2x^2 + 2y^2 = (y - 1)^2 \Leftrightarrow 2x^2 + 2y^2 = y^2 - 2y + 1$$

$$\Leftrightarrow 2x^2 + y^2 + 2y + 1 = 2 \Leftrightarrow \underline{2x^2 + (y + 1)^2 = 2}$$

$$\underline{\Delta: x^2 + \frac{(y + 1)^2}{(\sqrt{2})^2} \leq 1.}$$

$$\underline{S: \mathbf{r}(u, v) = (u, v, v - 1), (u, v) \in \Delta \text{ (se ovan).}}$$

$$\mathbf{F} = (y, 0, 1) \Rightarrow \operatorname{rot} \mathbf{F} = (0, 0, -1)$$

$$\oint_{\gamma} \mathbf{F} \cdot d\mathbf{r} = \iint_S (0, 0, -1) \cdot (0, -1, 1) dS = -\iint_{\Delta} du dv = -\pi\sqrt{2}.$$

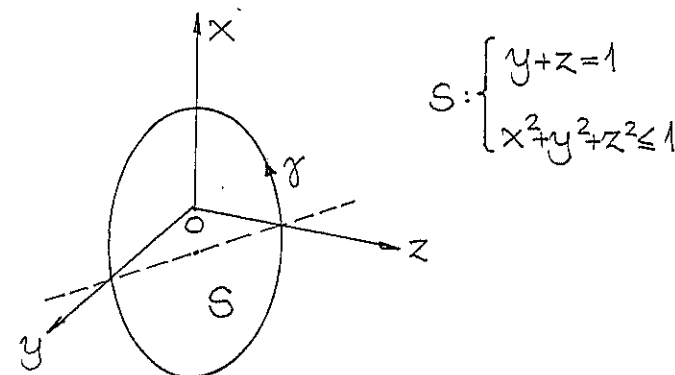
Anm. $(0, 0, 20) \cdot (0, 1, -1) = -20 < 0$, så jag väljer

$\hat{n} = -(0, 1, -1)$ i ytintegralen i Stokes sats.

Alla ytor som är \mathbb{R}^1 luger; jag valde planet.

Uppgift 7.13 (Sid. 9)

Lösning



$$S: \begin{cases} y+z=1 \\ x^2+y^2+z^2 \leq 1 \end{cases}$$

$$\mathbf{F}(x, y, z) = (1 - 2y, 2x, 0) \Rightarrow \operatorname{rot} \mathbf{F} = (0, 0, 4) \Rightarrow$$

$$\oint_{\gamma} \mathbf{F} \cdot d\mathbf{r} = \iint_S (0, 0, 4) \cdot \left(0, \frac{1}{\sqrt{2}}, \frac{1}{\sqrt{2}}\right) dS = \frac{4}{\sqrt{2}} \cdot \mathcal{A}(S) = \underline{\underline{\sqrt{2}\pi}}.$$

Uppgift 7.14 (Sid. 9)

Lösning

$$(1) \ x^2 + y^2 = x \Leftrightarrow \left(x - \frac{1}{2}\right)^2 + y^2 = \frac{1}{4}; \quad \underline{z = x^2 + y^2}.$$

$$\underline{\underline{\Gamma: \mathbf{r}(t) = \frac{1}{2}(1 + \cos t, \sin t, 1 - \cos t), \quad 0 \leq t \leq 2\pi.}}$$

$$\begin{aligned} (2) \ \oint_{\Gamma} \mathbf{F} \cdot d\mathbf{r} &= \int_0^{2\pi} \frac{1}{4} (\sin t, 1, 1 + \cos t) \cdot (-\sin t, \cos t, \sin t) dt \\ &= \frac{1}{4} \int_0^{2\pi} (-\sin^2 t + \cos t + \sin t + \sin t \cos t) dt = \\ &= \frac{1}{4} \cdot (-\pi) = -\frac{\pi}{4}. \quad (\text{Se Anm. till ö. 7.10}). \end{aligned}$$

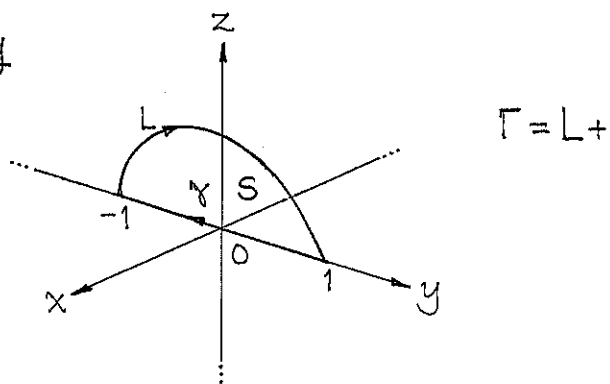
$$\textcircled{3} \quad S: r(x,y) = (x, y, x^2+y^2), \quad D: (x-\frac{1}{2})^2 + y^2 = \frac{1}{4}.$$

$$\left. \begin{aligned} F(x,y,z) &= (y, 1, x) \Rightarrow \text{rot} F = (0, 1, -1) \\ r'_u \times r'_v &= (1, 0, 2x) \times (0, 1, 2y) = (-2x, -2y, 1) \end{aligned} \right\} \Rightarrow$$

$$\begin{aligned} \Rightarrow \oint_{\Gamma} F \cdot dr &= \iint_D (0, 1, -1) \cdot (-2x, -2y, 1) dx dy = \\ &= \iint_D (-1-2y) dx dy \stackrel{!}{=} - \iint_D dx dy = -\frac{\pi}{4}. \end{aligned}$$

Uppgift 7.15 (Sid. 9)

Lösning



$$z=x \Leftrightarrow x-z=0 \Rightarrow \hat{n} = (\frac{1}{\sqrt{2}}, 0, -\frac{1}{\sqrt{2}}) \Rightarrow \hat{v} = -\hat{n} \Rightarrow$$

$$\oint_{\Gamma} F \cdot dr = \oint_{\Gamma} (z^2, y^2, 2xz) \cdot dr \stackrel{!}{=} \iint_S 0 \cdot \hat{v} dS = 0 \Leftrightarrow$$

$$\Leftrightarrow \int_L F \cdot dr + \int_{\gamma} F \cdot dr = 0 \Leftrightarrow \int_{\Gamma} F \cdot dr = \int_{-\gamma} F \cdot dr =$$

$$= \int_{-1}^1 y^2 dy = 2 \int_0^1 y^2 dy = 2 \cdot \frac{1}{3} = \frac{2}{3}.$$

Anm. \uparrow tas $\hat{v} = \frac{1}{\sqrt{2}}(-1, 0, 1)$ för pos. riktning.

Uppgift 7.16 (Sid. 9)

Lösning

$$\text{rot} A = \begin{vmatrix} \hat{x} & \hat{y} & \hat{z} \\ \partial_x & \partial_y & \partial_z \\ y^2+z^2 & x^2+z^2 & x^2+y^2 \end{vmatrix} = (2y-2z, 2z-2x, 2x-2y)$$

$\hat{n} = \frac{1}{R}(x, y, z)$ är en enhetsnormal till sfären;

Stokes sats ger

$$\begin{aligned} \oint_{\gamma} A \cdot dr &= \iint_S \text{rot} A \cdot \hat{n} dS = \\ &= \iint_S 2(y-z, z-x, x-y) \cdot \frac{1}{R}(x, y, z) dS = \\ &= \frac{2}{R} \iint_S 0 \cdot dS = 0, \quad \text{v.s.v.} \end{aligned}$$

γ är en enkel sluten kurva och S är en "skärva" av det sfäriska skalet som omsluts av γ .

Uppgift 7.17 (Sid. 9)

Lösning

a) γ omsluter inte z -axeln ($x=y=0$) så jag

kan tillämpa Stokes sats.

$$\oint_{\gamma} \mathbf{A} \cdot d\mathbf{r} = \iint_S (\text{rot } \mathbf{A}) \cdot \hat{\mathbf{n}} \, dS = \iint_S \mathbf{0} \cdot \hat{\mathbf{n}} \, dS = 0.$$

b) γ omsluter z -axeln; Stokes sats kan inte användas denna gång; linjeintegral!

$$\underline{\gamma: \mathbf{r}(t) = (\cos t, \sin t, -\cos t), 0 \leq t \leq 2\pi.}$$

$$\mathbf{A}(x, y, z) = \left(-\frac{y}{x^2+y^2}, \frac{x}{x^2+y^2}, 0\right);$$

$$\mathbf{A}(\mathbf{r}(t)) = (-\sin t, \cos t, 0)$$

$$d\mathbf{r} = \mathbf{r}'(t) dt = (-\sin t, \cos t, \sin t) dt \quad \left. \vphantom{\mathbf{A}(\mathbf{r}(t))} \right\} \Rightarrow \oint_{\gamma} \mathbf{A} \cdot d\mathbf{r} =$$

$$= \int_0^{2\pi} (\sin^2 t + \cos^2 t) dt = \int_0^{2\pi} dt = \underline{2\pi}.$$

Uppgift 7.18 (Sid. 9)

Lösning

Det går alldeles utmärkt att räkna med Stokes sats. Jag bestämmer kurvans projektion i xy -planet; z -koordinaterna lika:

$$4x^2 + 4y + x^2 + y^2 = 5(x^2 + y^2) = 40 \Leftrightarrow \underline{x^2 + y^2 = 8}.$$

$$\mathbf{F}(x, y, z) = \left(\frac{y}{x^2+y^2} - z, x - \frac{x}{x^2+y^2}, y + x^2\right) \Rightarrow$$

$$\text{rot } \mathbf{F} = \begin{vmatrix} \hat{x} & \hat{y} & \hat{z} \\ \frac{\partial}{\partial x} & \frac{\partial}{\partial y} & \frac{\partial}{\partial z} \\ \frac{y}{x^2+y^2} - z & x - \frac{x}{x^2+y^2} & y + x^2 \end{vmatrix} = (1, -1-2x, 1)$$

$$4x^2 + 4y^2 + z^2 = 40 \Leftrightarrow \underline{z = 2\sqrt{10 - x^2 - y^2}}$$

$$S: \mathbf{r}(u, v) = (u \cos v, u \sin v, 2\sqrt{10 - u^2}); \Delta: \begin{cases} 0 \leq u \leq \sqrt{8} \\ 0 \leq v \leq 2\pi \end{cases}$$

$$\mathbf{r}'_u \times \mathbf{r}'_v = \left(-\frac{2u^2 \cos v}{\sqrt{10 - u^2}}, -\frac{2u^2 \sin v}{\sqrt{10 - u^2}}, u\right), (u, v) \in \Delta.$$

$$\begin{aligned} \oint_{\Gamma} \mathbf{F} \cdot d\mathbf{r} &= \iint_S (1, -1-2x, 1) \cdot \hat{\mathbf{n}} \, dS = \iint_S (1, -1, 1) \cdot \hat{\mathbf{n}} \, dS = \\ &= \iint_{\Delta} \left(\frac{2u^2}{\sqrt{10 - u^2}} (\sin v - \cos v) + u\right) du dv = \\ &= \int_0^{\sqrt{8}} du \frac{2u^2}{\sqrt{10 - u^2}} \int_0^{2\pi} (-\cos v + \sin v) dv + \iint_{\Delta} u du dv = \\ &= \int_0^{\sqrt{8}} u du \int_0^{2\pi} dv = \frac{1}{2} \cdot 8 \cdot 2\pi = \underline{8\pi}. \end{aligned}$$

Uppgift 7.19 (Sid. 9)

Lösning

$$\underline{\mathbf{F}(x, y, z) = \left(\frac{y}{x^2+y^2}, -\frac{x}{x^2+y^2}, x\right).}$$

γ omsluter z -axeln ($x=y=0$) så Stokes sats kan inte användas i detta fall.

$\gamma: r(t) = (\cos t, \sin t, \cos t), 0 \leq t \leq 2\pi.$

$$\int_C F(r(t)) \cdot r'(t) dt = (\sin t, -\cos t, \cos t) \cdot (-\sin t, \cos t, -\sin t) dt$$
$$= (-\sin^2 t - \cos^2 t - \sin t \cos t) dt =$$
$$= -(1 + \frac{1}{2} \sin 2t) dt ;$$

$$\oint_C F \cdot dr = \int_0^{2\pi} (-1 - \frac{1}{2} \sin 2t) dt = -2\pi.$$

Uppgift 7.20 (Sid. 9)

Lösning

$x^2 + y^2 = x \Leftrightarrow (x - \frac{1}{2})^2 + y^2 = \frac{1}{4} ; A = (y, 1, x).$

$\gamma: r(t) = (\frac{1}{2} + \frac{1}{2} \cos t, \frac{1}{2} \sin t, \frac{1}{2} - \frac{1}{2} \cos t), 0 \leq t \leq 2\pi.$

$$\left. \begin{aligned} A(r(t)) &= (\frac{1}{2} \sin t, 1, \frac{1}{2} + \frac{1}{2} \cos t) \\ r'(t) &= \frac{1}{2} (-\sin t, \cos t, \sin t) \end{aligned} \right\} \Rightarrow A(r(t)) \cdot r'(t) dt =$$

$$= \frac{1}{4} (\sin t \cos t - 2 + 1 + \cos t) \cdot (-\sin t, \cos t, \sin t) dt =$$
$$= \frac{1}{4} (-\sin^2 t + 2 \cos t + \sin t + \sin t \cos t) dt \Rightarrow$$

$$\oint_C A \cdot dr = \frac{1}{4} \int_0^{2\pi} (-\sin^2 t + 2 \cos t + \sin t + \sin t \cos t) dt =$$
$$= \frac{1}{4} \int_0^{2\pi} (-\sin^2 t) dt = \frac{1}{4} \cdot (-\pi) = -\frac{\pi}{4}.$$

8. Potentialfält

Uppgift 8.1 (Sid. 9)

Lösning

a) $F(x, y) = (x \ln(1+x^2+y^2), y \ln(1+x^2+y^2)).$

$$\begin{cases} P(x, y) = x \ln(1+x^2+y^2) \\ Q(x, y) = y \ln(1+x^2+y^2) \end{cases} \Rightarrow \begin{cases} \frac{\partial P}{\partial y} = \frac{2xy}{1+x^2+y^2} \\ \frac{\partial Q}{\partial x} = \frac{2xy}{1+x^2+y^2} \end{cases} \Rightarrow$$

\Rightarrow F är ett potentialfält. (Se s. 351 i boken).

Anm. I fortsättningen hänvisar jag till teoriboken: Persson & Böiers, Analys i flera variabler, Studentlitteratur, 2005.

b) $F(x, y) = (e^{x-y}(1+x+y), e^{x-y}(1-x-y)).$

$$\begin{cases} P(x, y) = e^{x-y}(1+x+y) \\ Q(x, y) = e^{x-y}(1-x-y) \end{cases} \Rightarrow \begin{cases} \frac{\partial P}{\partial y} = e^{x-y}(-x-y) \\ \frac{\partial Q}{\partial x} = e^{x-y}(-x-y) \end{cases} \Rightarrow$$

$\Rightarrow \frac{\partial P}{\partial y} = \frac{\partial Q}{\partial x}$ (villkoret är uppfyllt) \Rightarrow F är ett potentialfält.

c) $\underline{F(x,y) = (y, xy-x)}$

$$\begin{cases} P(x,y) = y \\ Q(x,y) = x(y-1) \end{cases} \Rightarrow \begin{cases} \frac{\partial P}{\partial y} = 1 \\ \frac{\partial Q}{\partial x} = y-1 \end{cases} \Rightarrow \frac{\partial P}{\partial y} \neq \frac{\partial Q}{\partial x} \Rightarrow \underline{F \text{ är}} \underline{\text{ inget potentialfält.}}$$

inget potentialfält:

d) $\underline{F(x,y,z) = (y^2 \cos x + z^3, 2y \sin x - 4, 3xz^2 + 2)}$

$$\text{rot } F(x,y,z) = \begin{vmatrix} \hat{x} & \hat{y} & \hat{z} \\ \frac{\partial}{\partial x} & \frac{\partial}{\partial y} & \frac{\partial}{\partial z} \\ y^2 \cos x + z^3 & 2y \sin x - 4 & 3xz^2 + 2 \end{vmatrix} = (0, 0, 0) \Rightarrow \underline{F \text{ är ett potentialfält.}}$$

e) $\underline{F(x,y,z) = (y^2 z + \frac{1}{3} z^3, 2xyz + yz, xy^2 + xz^2 + \frac{1}{2} y^2)}$

$$\text{rot } F = \begin{vmatrix} \hat{x} & \hat{y} & \hat{z} \\ \frac{\partial}{\partial x} & \frac{\partial}{\partial y} & \frac{\partial}{\partial z} \\ y^2 z + \frac{1}{3} z^3 & 2xyz + yz & xy^2 + xz^2 + \frac{1}{2} y^2 \end{vmatrix} = (2xy + y - 2xy - y, y^2 + z^2 - y^2 - z^2, 2yz - 2yz) = (0, 0, 0) = 0 \Rightarrow \underline{F \text{ är ett potentialfält.}}$$

f) $\underline{F(x,y,z) = (2xy^3, x^2 z^3, 3x^2 yz^2)}$

$$\text{rot } F = (3x^2 z^2 - 3x^2 z^2, -6xyz^2, 2xz^3 - 6xy^2) =$$

$= (0, -6xyz^2, 2xz^3 - 6xy^2) \neq 0 \Rightarrow \underline{F \text{ är inget potentialfält.}}$

Uppgift 8.2 (Sid. 10)

Lösning

$A(x,y) = (\frac{axy}{1+x^2y}, \frac{x^2}{1+x^2y})$ potentialfält \Leftrightarrow

$$\begin{aligned} \text{rot } A = 0 &\Leftrightarrow \frac{\partial}{\partial x} (\frac{x^2}{1+x^2y}) = \frac{\partial}{\partial y} (\frac{axy}{1+x^2y}) \Leftrightarrow \\ &\Leftrightarrow \frac{2x}{1+x^2y} - \frac{4x^3y}{(1+x^2y)^2} = \frac{ax}{1+x^2y} - \frac{2ax^3y}{(1+x^2y)^2} \Leftrightarrow \\ &\Leftrightarrow \underline{a=2.} \end{aligned}$$

a) $\text{grad } u(x,y) = A(x,y) \Leftrightarrow \begin{cases} \frac{\partial u}{\partial x} = \frac{2xy}{1+x^2y} & (1) \\ \frac{\partial u}{\partial y} = \frac{x^2}{1+x^2y} & (2) \end{cases};$

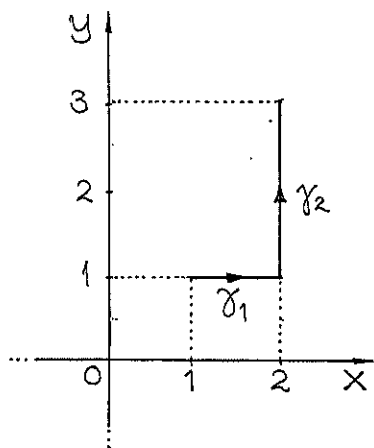
(1) $\Rightarrow u(x,y) = \ln(1+x^2y) + f(y) \Rightarrow \frac{\partial u}{\partial y} = \frac{x^2}{1+x^2y} + f'(y) \stackrel{(2)}{=} \frac{x^2}{1+x^2y} \Rightarrow f'(y) = 0 \Leftrightarrow f(y) = C.$

$\underline{u(x,y) = \ln(1+x^2y)}$ är en skalär potential.

$$\int_{\gamma} A \cdot dr = [\ln(1+x^2y)]_{(1,1)}^{(2,3)} = \ln 13 - \ln 2 = \underline{\underline{\ln \frac{13}{2}}}$$

b) Båda punkterna ligger i det övre halv-

planet och där är A kontinuerligt.



$$\gamma = \gamma_1 + \gamma_2$$

$$\begin{aligned} \int_{\gamma} A \cdot dr &= \int_{\gamma_1} A \cdot dr + \int_{\gamma_2} A \cdot dr = \\ &= \int_1^2 \frac{2x}{1+x^2} dx + \int_1^3 \frac{4}{1+4y} dy = \\ &= [\ln(1+x^2)]_1^2 + [\ln(1+4y)]_1^3 = \\ &= \ln 5 - \ln 2 + \ln 13 - \ln 5 = \\ &= \ln 13 - \ln 2 = \underline{\underline{\ln \frac{13}{2}}}. \end{aligned}$$

Anm. På γ_1 är $dy=0$ och på γ_2 är $dx=0$.

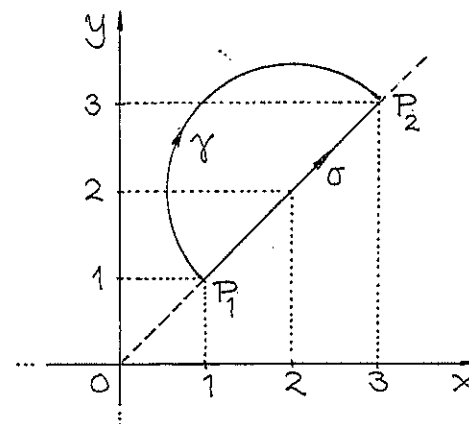
Uppgift 8.3 (Sid. 10)

Lösning

$$A(x,y) = \left(\frac{1}{x} \arctan \frac{y}{x}, \frac{1}{y} \arctan \frac{y}{x} \right) \in \mathbb{R}^1 \text{ i } y > 0.$$

$$\begin{cases} P(x,y) = \frac{1}{x} \operatorname{atn} \frac{y}{x} \\ Q(x,y) = \frac{1}{y} \operatorname{atn} \frac{x}{y} \end{cases} \Rightarrow \begin{cases} \frac{\partial P}{\partial y} = \frac{1}{x^2+y^2} \\ \frac{\partial Q}{\partial x} = \frac{1}{x^2+y^2} \end{cases} \Rightarrow \frac{\partial P}{\partial y} = \frac{\partial Q}{\partial x} \Rightarrow$$

$\Rightarrow A(x,y)$ är ett potentialfält så $\int_{\gamma} A \cdot dr$ är oberoende av γ . Jag väljer en ... genväg.



$$\underline{\sigma: r(t) = (t, t), 0 \leq t \leq 1}$$

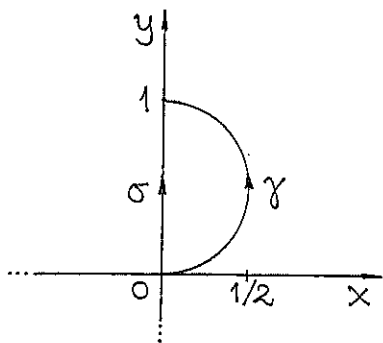
$$\begin{aligned} \int_{\gamma} A \cdot dr &= \int_{\sigma} A \cdot dr = \int_1^3 A(t,t) \cdot (1,1) dt = \\ &= \int_1^3 \left(\frac{1}{t} \operatorname{atn} 1, \frac{1}{t} \operatorname{atn} 1 \right) \cdot (1,1) dt = \\ &= \int_1^3 2 \cdot \operatorname{atn} 1 \cdot \frac{dt}{t} = 2 \cdot \frac{\pi}{4} [\ln t]_1^3 = \\ &= \underline{\underline{\frac{\pi \ln 3}{2}}}. \end{aligned}$$

Anm. $\operatorname{atn} x = \arctan x = \tan^{-1} x$.

Uppgift 8.4 (Sid. 10)Lösning

$$A(x,y) = (2x \cdot \arctan y, \frac{x^2+1}{y^2+1}) \Leftrightarrow \begin{cases} P(x,y) = 2x \arctan y \\ Q(x,y) = \frac{x^2+1}{y^2+1} \end{cases} \Rightarrow$$

$$\frac{\partial P}{\partial y} = \frac{2x}{y^2+1} = \frac{\partial Q}{\partial x} \Rightarrow \text{integralen oberoende av vägen.}$$



$$\sigma: r(t) = (0, t), 0 \leq t \leq 1$$

$$\begin{aligned} \int_{\gamma} A \cdot dr &= \int_{\sigma} A \cdot dr = \int_0^1 (0, \frac{1}{t^2+1}) \cdot (0, 1) dt = \int_0^1 \frac{dt}{t^2+1} = \\ &= [\arctan t]_0^1 = \arctan 1 = \underline{\underline{\frac{\pi}{4}}} \end{aligned}$$

Uppgift 8.5 (Sid. 10)Lösning

$$F(x,y) = \frac{1}{(x^2+y^2)^2} (y^2-x^2, -2xy).$$

$$P(x,y) = \frac{y^2-x^2}{(x^2+y^2)^2} \Rightarrow \frac{\partial P}{\partial y} = \frac{2y}{(x^2+y^2)^2} - \frac{4y(y^2-x^2)}{(x^2+y^2)^3} =$$

$$= \frac{2y(x^2+y^2) - 4y(y^2-x^2)}{(x^2+y^2)^3} = \frac{2x^2y + 2y^3 - 4y^3 + 4x^2y}{(x^2+y^2)^3} = \frac{6x^2y - 2y^3}{(x^2+y^2)^3}$$

$$Q(x,y) = -\frac{-2xy}{(x^2+y^2)^2} \Rightarrow \frac{\partial Q}{\partial x} = \frac{-2y}{(x^2+y^2)^2} + \frac{8x^2y}{(x^2+y^2)^3} =$$

$$= \frac{8x^2y - 2y(x^2+y^2)}{(x^2+y^2)^3} = \frac{8x^2y - 2x^2y - 2y^3}{(x^2+y^2)^3} = \frac{6x^2y - 2y^3}{(x^2+y^2)^3} =$$

$$= \frac{\partial P}{\partial y} \Rightarrow F \text{ potentialfält i området } x+y > 0$$

\Rightarrow arbetsintegralen oberoende av vägen.

$$\text{grad } U = (P, Q) \Leftrightarrow \begin{cases} \frac{\partial U}{\partial x} = \frac{y^2-x^2}{(x^2+y^2)^2} & (1) \\ \frac{\partial U}{\partial y} = -\frac{2xy}{(x^2+y^2)^2} & (2) \end{cases};$$

$$(2) \Rightarrow U(x,y) = \frac{x}{x^2+y^2} + f(x) \Rightarrow \frac{\partial U}{\partial x} = \frac{1}{x^2+y^2} - \frac{2x^2}{(x^2+y^2)^2} +$$

$$+ f'(x) = \frac{y^2-x^2}{(x^2+y^2)^2} + f'(x) \stackrel{(1)}{=} \frac{y^2-x^2}{(x^2+y^2)^2} \Leftrightarrow f'(x) = 0 \Leftrightarrow f(x) = C;$$

$U(x,y) = \frac{x}{x^2+y^2}$ är en skalärpotential till F .

$$\int_{\gamma} F \cdot dr = U(1,0) - U(0,1) = \underline{\underline{1}}$$

Uppgift 8.6 (Sid. 10)Lösning

$$A(x,y) = ((a+2x^2+2xy)e^{x^2+4y^2}, (a+8xy+8y^2)e^{x^2+4y^2}).$$

$$a) P(x,y) = (a+2x^2+2xy)e^{x^2+4y^2} \Rightarrow \frac{\partial P}{\partial y} = 2xe^{x^2+4y^2} +$$

$$+8y(a+2x^2+2xy)e^{x^2+4y^2} = (2x+8ay+16x^2y+16xy^2)e^{x^2+4y^2}$$

$$Q(x,y) = (a+8xy+8y^2)e^{x^2+4y^2} \Rightarrow \frac{\partial Q}{\partial x} = 8ye^{x^2+4y^2} +$$

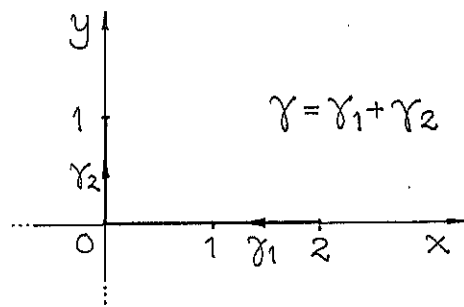
$$+2x(a+8xy+8y^2)e^{x^2+4y^2} = (2ax+8y+16x^2y+16xy^2)e^{x^2+4y^2}$$

$\int_{\gamma} A \cdot dr$ oberoende av $\gamma \Leftrightarrow A$ potentialfält \Leftrightarrow

$$\Leftrightarrow \frac{\partial P}{\partial y} = \frac{\partial Q}{\partial x} \Leftrightarrow 2x+8ay+16x^2y+16xy^2 = 2ax+8y+$$

$$+16x^2y+16xy^2 \Leftrightarrow \underline{a=1}$$

b)



$$A(x,y) = ((1+2x^2+2xy)e^{x^2+4y^2}, (1+8xy+8y^2)e^{x^2+4y^2})$$

$$\int_{\gamma} A \cdot dr = \int_{\gamma_1} A \cdot dr + \int_{\gamma_2} A \cdot dr = \int_2^0 A(x,0) \cdot (1,0) dx +$$

$$+ \int_0^1 A(0,y) \cdot (0,1) dy =$$

$$= \int_2^0 (1+2x^2)e^{x^2} dx + \int_0^1 (1+8y^2)e^{4y^2} dy =$$

$$= [xe^{x^2}]_2^0 + [ye^{4y^2}]_0^1 = -2e^4 + e^4 = \underline{\underline{-e^4}}$$

Svar: a) $a=1$; b) $-e^4$

Uppgift 8.7 (Sid. 10)

Lösning

$$a) A(x,y) = \left(\frac{y^2}{1+xy^2}, \frac{2xy}{1+xy^2} \right) \Rightarrow \begin{cases} P(x,y) = \frac{y^2}{1+xy^2} \\ Q(x,y) = \frac{2xy}{1+xy^2} \end{cases} \Rightarrow$$

$$\Rightarrow \begin{cases} \frac{\partial P}{\partial y} = \frac{2y}{1+xy^2} - \frac{2xy^3}{(1+xy^2)^2} = \frac{2y}{(1+xy^2)^2} \\ \frac{\partial Q}{\partial x} = \frac{2y}{1+xy^2} - \frac{2xy^3}{(1+xy^2)^2} = \frac{2y}{(1+xy^2)^2} \end{cases} \Rightarrow \frac{\partial P}{\partial y} = \frac{\partial Q}{\partial x} \Rightarrow$$

$\Rightarrow A(x,y)$ har skalärpotential $\Rightarrow \int_{\gamma} A \cdot dr$ är oberoende av γ .

$$b) A \cdot dr = \frac{y^2 dx + 2xy dy}{1+xy^2} = \frac{d(xy^2)}{1+xy^2} = d(\ln(1+xy^2)) \Rightarrow$$

$$\int_{\gamma} A \cdot dr = [\ln(1+xy^2)]_{(1,1)}^{(a,b)} = \ln \frac{1+ab^2}{2} = 0 \Leftrightarrow$$

$$\Leftrightarrow \frac{1+ab^2}{2} = 1 \Leftrightarrow \underline{\underline{ab^2=1}}$$

De sökta punkterna uppfyller $\underline{\underline{xy^2=1}}$.

Uppgift 8.8 (Sid. 10)

Lösning

$\text{rot}(fA) = (\text{grad} f) \times A + f \text{rot} A$ (Se 4.6 b)).

fA är ett potentialfält om det är irrotat-

tionellt (irrotellt), dvs om $\text{rot}(fA) = 0$.

$$\text{rot } A = \begin{vmatrix} \hat{x} & \hat{y} & \hat{z} \\ \partial_x & \partial_y & \partial_z \\ 3yz & 3xz & xy \end{vmatrix} = (-2x, 2y, 0).$$

$$\text{grad } f \times A = \begin{vmatrix} \hat{x} & \hat{y} & \hat{z} \\ \partial_x f & \partial_y f & 0 \\ 3yz & 3xz & xy \end{vmatrix} = (xy \frac{\partial f}{\partial y}, -xy \frac{\partial f}{\partial x}, 3xz \frac{\partial f}{\partial x} - 3yz \frac{\partial f}{\partial y}).$$

$$(xy \frac{\partial f}{\partial y}, -xy \frac{\partial f}{\partial x}, 3xz \frac{\partial f}{\partial x} - 3yz \frac{\partial f}{\partial y}) + f(x,y)(-2x, 2y, 0) = (xy \frac{\partial f}{\partial y} - 2xf(x,y), -xy \frac{\partial f}{\partial x} + 2yf(x,y), 3z(x \frac{\partial f}{\partial x} - y \frac{\partial f}{\partial y})) = 0$$

$$\Leftrightarrow \begin{cases} y \frac{\partial f}{\partial y} = 2f \\ x \frac{\partial f}{\partial x} = 2f \\ x \frac{\partial f}{\partial x} = y \frac{\partial f}{\partial y} \end{cases} \Leftrightarrow \begin{cases} x \frac{\partial f}{\partial x} = 2f \\ y \frac{\partial f}{\partial y} = 2f \\ f(x,y) = g(xy) \end{cases} \Leftrightarrow \begin{cases} f(x,y) = g(t) \\ t = xy \\ tg'(t) = 2g(t) \end{cases} \Leftrightarrow f(x,y) = g(t) = Ct^2 = C(xy)^2 = \underline{Cx^2y^2}.$$

Uppgift 8.9 (Sid. 10)

Lösning

a) $A(x,y,z) = (axy+z^3, x^2, bxz^2) \Rightarrow \text{rot } A(x,y,z) =$

$$= \begin{vmatrix} \hat{x} & \hat{y} & \hat{z} \\ \partial_x & \partial_y & \partial_z \\ axy+z^3 & x^2 & bxz^2 \end{vmatrix} = (0, 3z^2 - bz^2, 2x - ax);$$

A potentialfält $\Rightarrow \text{rot } A = 0 \Leftrightarrow \underline{a=2} \wedge \underline{b=3}$.

b) $\text{grad } f(x,y,z) = A(x,y,z) = (2xy+z^3, x^2, 3xz^2) \Leftrightarrow$
 $df = \frac{\partial f}{\partial x} dx + \frac{\partial f}{\partial y} dy + \frac{\partial f}{\partial z} dz = (2xy+z^3)dx + x^2dy + 3xz^2dz = (2xydx + x^2dy) + (z^3dx + 3xz^2dz) = d(x^2y) + d(xz^3) = d(x^2y + xz^3);$

En potential till fältet är alltså

$$\underline{f(x,y,z) = x^2y + xz^3}.$$

c) $\int_{\gamma} A \cdot dr = f(3,1,4) - f(1,-2,1) = 9 + 192 - (-2 + 1) = \underline{202}.$

Uppgift 8.10 (Sid. 10)

Lösning

$$\omega = (e^{-y} - ze^{-x})dx + (e^{-z} - xe^{-y})dy + (e^{-x} - ye^{-z})dz = (e^{-y}dx - xe^{-y}dy) + (e^{-z}dz - ze^{-x}dx) + (e^{-z}dy - ye^{-z}dz) = \underline{d(xe^{-y}) + d(ze^{-x}) + d(ye^{-z})} =$$

("gissning")

$$=d(xe^{-y}+ze^{-x}+ye^{-z}) \Leftrightarrow \underline{f(x,y,z)=xe^{-y}+ze^{-x}+ye^{-z}+C}$$

$$\begin{cases} x(0)=0 \\ y(0)=0 \\ z(0)=0 \end{cases} \wedge \begin{cases} x(1)=1 \\ y(1)=1 \\ z(1)=1 \end{cases} \Rightarrow \int_{\gamma} \omega = f(1,1,1) - f(0,0,0) = \underline{\underline{\frac{3}{e}}}$$

Anm. Krängliga differentialformer och/eller integrationsvägar skvallrar om exakthet hos formen, dvs vägberoende.

$$A = (e^{-y} - ze^{-x}, e^{-z} - xe^{-y}, e^{-x} - ye^{-z}) \Rightarrow \text{rot } A = 0 \Rightarrow$$

A potentialfält $\Rightarrow \text{grad } f(x) = A$, för ngt $f \Rightarrow$

$$\Rightarrow \begin{cases} \frac{\partial f}{\partial x} = e^{-y} - ze^{-x} & (1) \\ \frac{\partial f}{\partial y} = e^{-z} - xe^{-y} & (2) \\ \frac{\partial f}{\partial z} = e^{-x} - ye^{-z} & (3) \end{cases}$$

$$\begin{aligned} (1) \Rightarrow \underline{f(x,y,z) = xe^{-y} + ze^{-x} + \phi(y,z)} &\Rightarrow \frac{\partial f}{\partial y} = -xe^{-y} + \\ + \frac{\partial \phi}{\partial y} \stackrel{(2)}{=} e^{-z} - xe^{-y} &\Leftrightarrow \frac{\partial \phi}{\partial y} = e^{-z} \Leftrightarrow \phi(y,z) = ye^{-z} + \psi(z) \Rightarrow \\ \Rightarrow \underline{f(x,y,z) = xe^{-y} + ze^{-x} + ye^{-z} + \psi(z)} &\Rightarrow \frac{\partial f}{\partial z} = e^{-x} - \\ - ye^{-z} + \psi'(z) \stackrel{(3)}{=} e^{-x} - ye^{-z} &\Leftrightarrow \psi'(z) = 0 \Leftrightarrow \psi(z) = C \Rightarrow \\ \Rightarrow \underline{f(x,y,z) = xe^{-y} + ye^{-z} + ze^{-x}} & \end{aligned}$$

$$\begin{aligned} \int_{\gamma} A \cdot dr &= f(x(1), y(1), z(1)) - f(x(0), y(0), z(0)) = \\ &= f(1,1,1) - f(0,0,0) = f(1,1,1) = \underline{\underline{3e^{-1}}} \end{aligned}$$

Uppgift 8.11 (Sid. 10)

Lösning

$$\begin{cases} A(x,y,z) = (y^2z + \frac{az^3}{3}, 2xyz, xy^2 + xz^2) \\ \gamma: r(t) = (\sin t, 2\cos t, 3\sin t + \cos t), 0 \leq t \leq \frac{\pi}{2} \end{cases}$$

$$a) \text{rot } A = \begin{vmatrix} \hat{x} & \hat{y} & \hat{z} \\ \frac{\partial}{\partial x} & \frac{\partial}{\partial y} & \frac{\partial}{\partial z} \\ y^2z + \frac{az^3}{3} & 2xyz & xy^2 + xz^2 \end{vmatrix} = (0,0,0)$$

$$\Leftrightarrow (2xy - 2xy, y^2 + az^2 - y^2 - z^2, 2yz - 2yz) = 0 \Leftrightarrow$$

$$\Leftrightarrow (0, (a-1)z^2, 0) = 0 \Leftrightarrow \underline{\underline{a=1}}$$

$$b) \text{grad } f(x) = A(x) = (y^2z + \frac{1}{3}z^3, 2xyz, xy^2 + xz^2) \Leftrightarrow$$

$$\Leftrightarrow \begin{cases} \frac{\partial f}{\partial x} = y^2z + \frac{1}{3}z^3 & (1) \\ \frac{\partial f}{\partial y} = 2xyz & (2) \\ \frac{\partial f}{\partial z} = xy^2 + xz^2 & (3) \end{cases}$$

Se 8.10 Anm.

$$(1) \Rightarrow f(x,y,z) = xy^2z + \frac{1}{3}xz^3 + \phi(y,z) \Rightarrow \frac{\partial f}{\partial y} = 2xyz +$$

$$\begin{aligned}
 + \frac{\partial \phi}{\partial y} &\stackrel{(2)}{=} 2xyz \Leftrightarrow \frac{\partial \phi}{\partial y} = 0 \Leftrightarrow \phi(y, z) = \psi(z) \Rightarrow \underline{f(x, y, z)} = \\
 &= \underline{xy^2z + \frac{1}{3}xz^3 + \psi(z)} \Rightarrow \frac{\partial f}{\partial z} = xy^2 + xz^2 + \psi'(z) \stackrel{(3)}{=} \\
 &= xy^2 + xz^2 \Leftrightarrow \psi'(z) = 0 \Leftrightarrow \psi(z) = C.
 \end{aligned}$$

$$\underline{f(x, y, z) = xy^2z + \frac{1}{3}xz^3}$$

$$\begin{aligned}
 \int_{\gamma} A \cdot dr &= f(x(\frac{\pi}{2}), y(\frac{\pi}{2}), z(\frac{\pi}{2})) - f(x(0), y(0), z(0)) = \\
 &= f(1, 0, 3) - f(0, 2, 1) = 9 - 0 = \underline{9}.
 \end{aligned}$$

Resultat: a) $a=1$; b) $\int_{\gamma} A \cdot dr = 9$.

Uppgift 8.12 (Sid. 11)

Lösning

$$\underline{A(x, y, z) = (2xy + f(y, z), x^2 + 2yz + 2x + z, y^2 + 2xz + y)}$$

$$\begin{aligned}
 \text{a) } \operatorname{rot} A = 0 &\Rightarrow \begin{vmatrix} \hat{x} & \hat{y} & \hat{z} \\ \frac{\partial}{\partial x} & \frac{\partial}{\partial y} & \frac{\partial}{\partial z} \\ 2xy + f(y, z) & x^2 + 2yz + 2x + z & y^2 + 2xz + y \end{vmatrix} = \\
 &= (2y + 1 - 2y - 1, \frac{\partial f}{\partial z} - 2z, 2x + 2 - 2x - \frac{\partial f}{\partial y}) = (0, 0, 0) \Leftrightarrow \\
 &\Leftrightarrow \frac{\partial f}{\partial z} = 2z \wedge \frac{\partial f}{\partial y} = 2 \Leftrightarrow f(y, z) = z^2 + \phi(y) = 2y + \psi(z) \\
 &\Rightarrow \phi(y) = 2y \wedge \psi(z) = z^2 \Rightarrow \underline{f(y, z) = z^2 + 2y}
 \end{aligned}$$

$$\text{b) } \operatorname{grad} U(x) = (2xy + 2y + z^2, x^2 + 2yz + 2x + z, y^2 + 2xz + y)$$

$$\Leftrightarrow \begin{cases} \frac{\partial U}{\partial x} = 2xy + 2y + z^2 & (1) \\ \frac{\partial U}{\partial y} = x^2 + 2yz + 2x + z & (2) \\ \frac{\partial U}{\partial z} = y^2 + 2xz + y & (3) \end{cases}$$

$$\begin{aligned}
 (1) &\Rightarrow \underline{U(x) = x^2y + 2xy + xz^2 + \phi(y, z)} \Rightarrow \frac{\partial U}{\partial y} = x^2 + \\
 &+ 2x + \frac{\partial \phi}{\partial y} \stackrel{(2)}{=} x^2 + 2yz + 2x + z \Leftrightarrow \frac{\partial \phi}{\partial y} = 2yz + z \Leftrightarrow \\
 &\phi(y, z) = y^2z + yz + \psi(z) \Rightarrow \underline{U(x) = x^2y + 2xy + xz^2 +} \\
 &+ \underline{y^2z + yz + \psi(z)} \Rightarrow \frac{\partial U}{\partial z} = 2xz + y^2 + y + \psi'(z) \stackrel{(3)}{=} y^2 + \\
 &+ 2xz + y \Leftrightarrow \psi'(z) = 0 \Leftrightarrow \underline{\psi(z) = C}.
 \end{aligned}$$

$$\underline{U(x, y, z) = x^2y + 2xy + xz^2 + y^2z + yz}$$

$$\begin{aligned}
 \text{c) } \int_{\gamma} A \cdot dr &= f(x(0), y(0), z(0)) - f(x(\frac{3\pi}{2}), y(\frac{3\pi}{2}), z(\frac{3\pi}{2})) \\
 &= f(0, 1, 1) - f(-1, 0, -1) = 2 - (-1) = \underline{3}.
 \end{aligned}$$

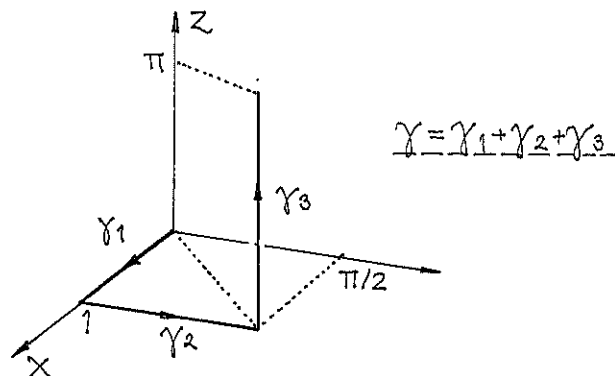
Uppgift 8.13 (Sid. 11)

Lösning

$$A(x) = (P(x), Q(x), R(x)) \Leftrightarrow \begin{cases} P(x) = e^x \sin y \cos z \\ Q(x) = e^x \cos y \cos z \\ R(x) = -e^x \sin y \sin z \end{cases}$$

$$\begin{aligned}
 \text{a) } \operatorname{rot} A &= (\partial_y R - \partial_z Q, \partial_z P - \partial_x R, \partial_x Q - \partial_y P) = \\
 &= (-e^x \cos y \sin z + e^x \cos y \sin z) \hat{x} + \\
 &\quad + (-e^x \sin y \sin z + e^x \sin y \sin z) \hat{y} + \\
 &\quad + (e^x \cos y \cos z - e^x \cos y \cos z) \hat{z} = 0 \\
 \Rightarrow A &\text{ är ett potentialfält} \Rightarrow \int_{\gamma} A \cdot dr \text{ obero-} \\
 &\text{ende av } \gamma \text{ mellan } (0,0,0) \text{ och } (1, \pi/2, \pi)
 \end{aligned}$$

b)



$$\begin{aligned}
 \int_{\gamma} A \cdot dr &= \int_{\gamma_1} A \cdot dr + \int_{\gamma_2} A \cdot dr + \int_{\gamma_3} A \cdot dr = \\
 &= \int_0^1 P(x, 0, 0) dx + \int_0^{\pi/2} Q(1, y, 0) dy + \\
 &\quad + \int_0^{\pi} R(1, \frac{\pi}{2}, z) dz = \\
 &= \int_0^1 0 dx + \int_0^{\pi/2} e \cos y dy - \int_0^{\pi} e \sin z dz = \\
 &= 0 + e \sin \frac{\pi}{2} + e(\cos \pi - 1) = e - 2e = -e.
 \end{aligned}$$

Uppgift 8.14 (Sid: 11)

Lösning

$$\underline{A(x, y, z) = (4xy + 3x^2z^2, f(x) + 2yz, y^2 + 2x^3z + 2z)}$$

a) A är ett potentialfält om och endast om det är irrotationellt, dvs om $\operatorname{rot} A = 0$.

$$\begin{aligned}
 \operatorname{rot} A &= \begin{vmatrix} \hat{x} & \hat{y} & \hat{z} \\ \partial_x & \partial_y & \partial_z \\ 4xy + 3x^2z^2 & f(x) + 2yz & y^2 + 2x^3z + 2z \end{vmatrix} = \\
 &= (2y - 2y, 6x^2z - 6x^2z, f'(x) - 4x) = (0, 0, 0)
 \end{aligned}$$

$$\Leftrightarrow f'(x) = 4x \Rightarrow \underline{f(x) = 2x^2 + C}$$

$$\text{b) } \operatorname{grad} u = A = (4xy + 3x^2z^2, 2x^2 + 2yz, y^2 + 2x^3z + 2z)$$

$$\Leftrightarrow \begin{cases} \frac{\partial u}{\partial x} = 4xy + 3x^2z^2 & (1) \\ \frac{\partial u}{\partial y} = 2x^2 + 2yz + C & (2) \\ \frac{\partial u}{\partial z} = y^2 + 2x^3z + 2z & (3) \end{cases}$$

$$\begin{aligned}
 (1) \Rightarrow \underline{u(x) = 2x^2y + x^3z^2 + \phi(y, z)} &\Rightarrow \frac{\partial u}{\partial y} = 2x^2 + \frac{\partial \phi}{\partial y} = \\
 = (2) = 2x^2 + 2yz + C_1 &\Leftrightarrow \frac{\partial \phi}{\partial y} = 2yz + C_1 \Leftrightarrow \phi(y, z) = y^2z + C_1y + \\
 + \psi(z) &\Rightarrow \underline{u(x, y, z) = 2x^2y + x^3z^2 + y^2z + C_1y + \psi(z)} \Rightarrow
 \end{aligned}$$

$$+y^2 + \psi'(z) \stackrel{(3)}{=} y^2 + 2x^3z + 2z \Leftrightarrow \psi'(z) = 2z \Leftrightarrow \psi(z) = z^2 + C_2$$

$$\Rightarrow \underline{u(x,y,z) = 2x^2y + x^3z^2 + y^2z + z^2 + C_1y + z^2 + C_2.}$$

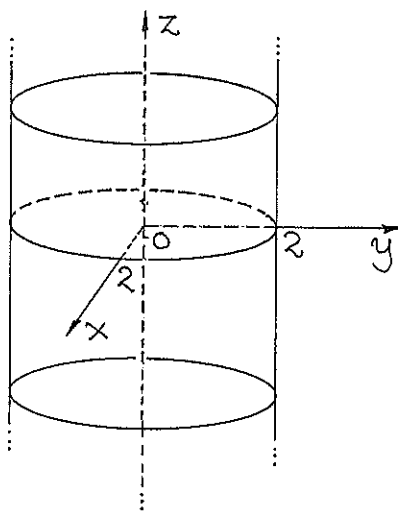
9. Kroklinjiga koordinater

Uppgift 9.1 (Sid. 11)

Lösning

a) $\rho = 2$ (Cylindriska koordinater ρ, φ, z).

En cylinderyta som i figuren nedan.

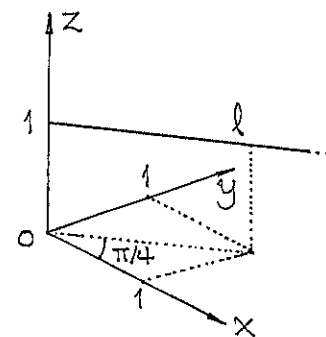


Ytan har oändig utsträckning ($-\infty < z < \infty$).

b) $\varphi = \frac{\pi}{4}, z = 1$ (cylindriska koordinater).

$$\begin{cases} x = \rho \cos \varphi = \rho/\sqrt{2} \\ y = \rho \sin \varphi = \rho/\sqrt{2} \\ z = 1 \end{cases} \Leftrightarrow \begin{cases} x = y \geq 0 \\ z = 1 \end{cases} \Leftrightarrow \begin{cases} x = t \\ y = t \\ z = 1 \end{cases}, t \geq 0.$$

$$\Leftrightarrow \underline{(x,y,z) = (0,0,1) + t(1,1,0), t \geq 0.}$$

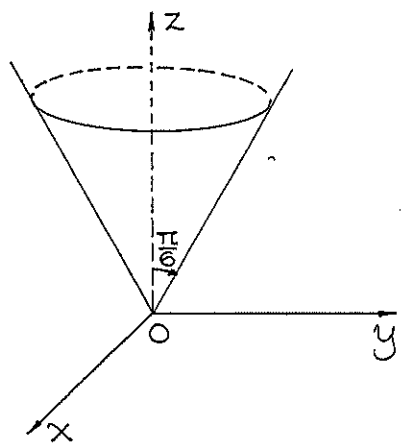


Den geometriska orten är skärningen l mellan halvplanet $y = x \geq 0$ och planet $z = 1$.

c) $\theta = \frac{\pi}{6}$ (rymdpolära koordinater r, θ, φ).

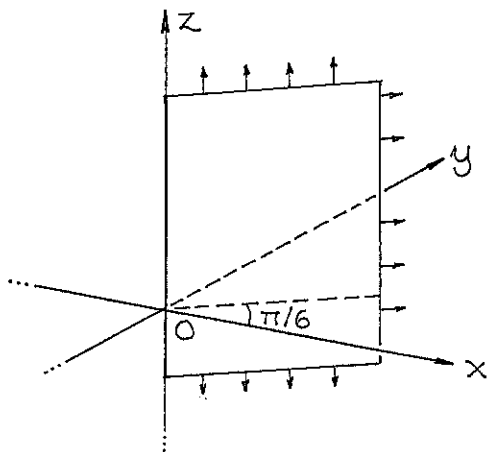
$$\begin{cases} x = r \sin(\pi/6) \cos \varphi \\ y = r \sin(\pi/6) \sin \varphi \\ z = \cos(\pi/6) \cdot r = r/2 \end{cases} \Leftrightarrow \begin{cases} x^2 + y^2 = r^2 \\ r = 2z \geq 0 \end{cases} \Rightarrow x^2 + y^2 = 4z^2$$

$\Leftrightarrow z = \frac{1}{2} \sqrt{x^2 + y^2}$, en konisk yta med spetsen i origo och symmetriaxeln den positiva z -axeln; spetsvinkeln är $\frac{\pi}{3}$ (se figur).



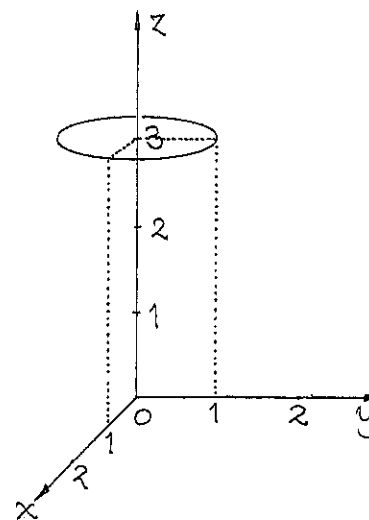
Konen är rotationssymmetrisk och har oändlig utsträckning ($0 \leq z < \infty \Leftrightarrow 0 < r < \infty$).

- d) $\varphi = \frac{\pi}{6}$ (cylindriska koordinater ρ, φ, z)
 $x = \rho \cos \frac{\pi}{6} \wedge y = \rho \sin \frac{\pi}{6} \Rightarrow \frac{y}{x} = \tan \frac{\pi}{6} = \frac{1}{\sqrt{3}} \Rightarrow x = \sqrt{3}y$
 ett halvplan som i figuren nedan.



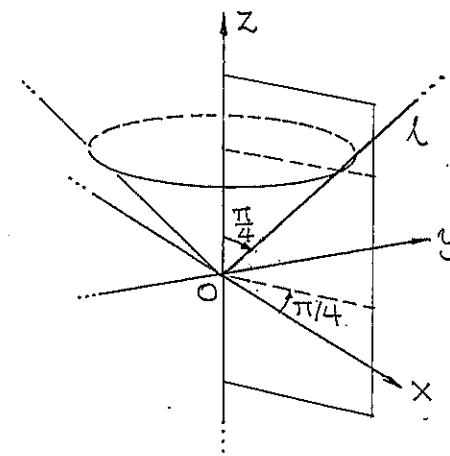
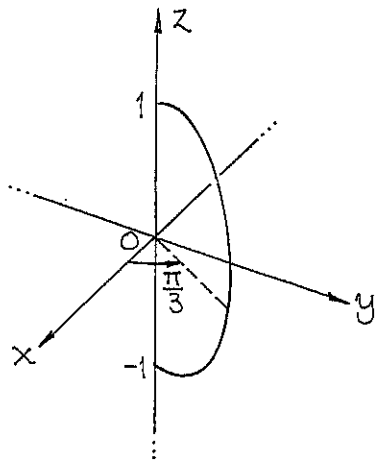
Ann. Även i rymdpolära koordinater r, θ, φ är grafen exakt samma plan

- e) $\rho = 1, z = 3$ (cylindriska koordinater)
 $\begin{cases} \rho = \sqrt{x^2 + y^2} = 1 \\ z = 3 \end{cases}$; enhetscirkeln i planet $z = 3$.



Cirkeln tolkas som skärningen mellan cylindern $x^2 + y^2 = 1$ och planet $z = 3$.

- f) $r = 1, 0 \leq \theta \leq \pi, \varphi = \pi/3$ (rymdpolära)
 $x = \sin \theta \cdot \frac{1}{2}, y = \sin \theta \cdot \frac{\sqrt{3}}{2}$ och $z = \cos \theta$;
 $y = \sqrt{3}x \wedge x^2 + y^2 + z^2 = 1, x, y \geq 0$.



Det är frågan om en halv storcirkel till sfären $x^2+y^2+z^2=1$ (enhetssfären) i halvplanet $\sqrt{3}x-y=0$, $x, y \geq 0$.

c) $r \geq 0$, $\theta = \frac{\pi}{4}$, $\varphi = \frac{\pi}{4}$ (rymdpolära koordinater).

$$\begin{cases} x = r \sin \theta \cos \varphi = r/2 \\ y = r \sin \theta \sin \varphi = r/2 \\ z = r \cos \theta = r/\sqrt{2} = (r/2)\sqrt{2} \end{cases} \Leftrightarrow \begin{cases} x = t \\ y = t \\ z = \sqrt{2}t \end{cases}, t \geq 0.$$

En stråle utgående från origo med riktningsektor (n) $v = (1, 1, \sqrt{2})$.

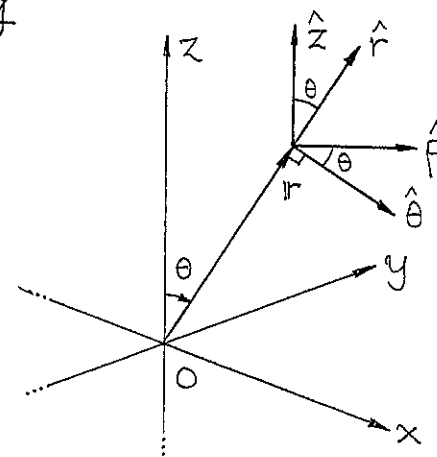
Anm. $\theta = \frac{\pi}{4}$ motsvarar konen $z = \sqrt{x^2+y^2}$;

$\varphi = \frac{\pi}{4}$ motsvarar halvplanet $x-y=0$; $x, y \geq 0$.

l är skärningen mellan den koniska ytan och halvplanet.

Uppgift 9.2 (Sid. 11)

Lösning



a) $\hat{p} = (\hat{p} \cdot \hat{r})\hat{r} + (\hat{p} \cdot \hat{\theta})\hat{\theta} = \cos(\frac{\pi}{2} - \theta)\hat{r} + \cos\theta\hat{\theta} = \underline{\underline{\sin\theta\hat{r} + \cos\theta\hat{\theta}}}$.

$$b) \hat{z} = (\hat{z} \cdot \hat{r})\hat{r} + (\hat{z} \cdot \hat{\theta})\hat{\theta} = \cos\theta\hat{r} + \cos(\frac{\pi}{2} + \theta)\hat{\theta} = \underline{\underline{\cos\theta\hat{r} - \sin\theta\hat{\theta}}}$$

Uppgift 9.3 (Sid. 11)

Lösning

$$\Psi = -\frac{\cos\theta}{r^2}, \quad A = \frac{\sin\theta}{r^2} \hat{\varphi}$$

$$x = r\sin\theta\cos\varphi, \quad y = r\sin\theta\sin\varphi, \quad z = r\cos\theta;$$

$$\Delta. \quad r \geq 0, \quad 0 \leq \theta \leq \pi, \quad 0 \leq \varphi \leq 2\pi$$

$$h_r = 1, \quad h_\theta = r, \quad h_\varphi = r\sin\theta$$

$$a) \quad \nabla\Psi = \frac{1}{h_r} \frac{\partial\Psi}{\partial r} \hat{r} + \frac{1}{h_\theta} \frac{\partial\Psi}{\partial\theta} \hat{\theta} + \frac{1}{h_\varphi} \frac{\partial\Psi}{\partial\varphi} \hat{\varphi} =$$

$$= \frac{\partial\Psi}{\partial r} \hat{r} + \frac{1}{r} \frac{\partial\Psi}{\partial\theta} \hat{\theta} = \underline{\underline{\frac{2\cos\theta}{r^3} \hat{r} + \frac{\sin\theta}{r^3} \hat{\theta}}}$$

$$b) \quad \nabla \times A = \frac{1}{h_r h_\theta h_\varphi} \begin{vmatrix} h_r \hat{r} & h_\theta \hat{\theta} & h_\varphi \hat{\varphi} \\ \frac{\partial}{\partial r} & \frac{\partial}{\partial \theta} & \frac{\partial}{\partial \varphi} \\ h_r A_r & h_\theta A_\theta & h_\varphi A_\varphi \end{vmatrix} =$$

$$= \frac{1}{1 \cdot r \cdot r\sin\theta} \begin{vmatrix} \hat{r} & r\hat{\theta} & r\sin\theta\hat{\varphi} \\ \frac{\partial}{\partial r} & \frac{\partial}{\partial \theta} & \frac{\partial}{\partial \varphi} \\ 0 & 0 & \sin^2\theta/r \end{vmatrix} =$$

$$= \frac{1}{r^2\sin\theta} \left(\frac{2\sin\theta\cos\theta}{r} \hat{r} + \frac{\sin^2\theta}{r^2} r\hat{\theta} \right) =$$

$$= \underline{\underline{\frac{2\cos\theta}{r^3} \hat{r} + \frac{\sin\theta}{r^3} \hat{\theta}}} = \nabla\Psi.$$

Uppgift 9.4 (Sid. 11)

Lösning

$$A = e^p \sin\varphi \hat{r} + p e^p \cos\varphi \hat{\varphi} + p^2 \hat{z}$$

$$x = p\cos\varphi, \quad y = p\sin\varphi, \quad z = z; \quad p \geq 0, \quad 0 \leq \varphi \leq 2\pi, \quad -\infty < z < \infty.$$

$$\underline{\underline{h_p = 1, \quad h_\varphi = p, \quad h_z = 1}}$$

$$\text{div } A = \frac{1}{h_p h_\varphi h_z} (\partial_p (h_\varphi h_z A_p) + \partial_\varphi (h_p h_z A_\varphi) + \partial_z (h_p h_\varphi A_z))$$

$$= \frac{1}{1 \cdot p \cdot 1} (\partial_p (p e^p \sin\varphi) + \partial_\varphi (p e^p \cos\varphi) + \partial_z (p^3)) =$$

$$= \frac{1}{p} ((p+1)e^p \sin\varphi - p e^p \sin\varphi) = \underline{\underline{\frac{e^p}{p} \sin\varphi}}$$

Uppgift 9.5 (Sid. 11)

Lösning: $A = (r\cos\theta, r\sin\theta, r\varphi)$

$$\text{rot } A = \frac{1}{r^2 \sin\theta} \begin{vmatrix} \hat{r} & r\hat{\theta} & r\sin\theta\hat{\varphi} \\ \frac{\partial}{\partial r} & \frac{\partial}{\partial \theta} & \frac{\partial}{\partial \varphi} \\ r\cos\theta & r\sin\theta & r\varphi \end{vmatrix} =$$

$$= \frac{1}{r^2 \sin\theta} (0\hat{r} + \varphi \cdot r\hat{\theta} + (\sin\theta - r\sin\theta)r\sin\theta\hat{\varphi})$$

$$= \frac{1}{r^2 \sin\theta} (r\varphi\hat{\theta} + (r-r^2)\sin^2\theta\hat{\varphi}) =$$

$$= \underline{\underline{\frac{\varphi}{r\sin\theta} \hat{\theta} + (\frac{1}{r} - 1)\sin\theta \hat{\varphi}}}$$

Uppgift 9.6 (Sid. 12)Lösning

$$\underline{A(\rho, \varphi, z) = (-\rho \cos \varphi) \hat{\rho} + \rho \sin \varphi \hat{\varphi} + z \cos \varphi \hat{z}}$$

$$\begin{aligned} \text{rot } A &= \frac{1}{\rho} \begin{vmatrix} \hat{\rho} & \rho \hat{\varphi} & \hat{z} \\ \partial_\rho & \partial_\varphi & \partial_z \\ -\rho \cos \varphi & \rho \sin \varphi & z \cos \varphi \end{vmatrix} = \\ &= \frac{1}{\rho} ((-z \sin \varphi) \hat{\rho} + 0 \cdot \rho \hat{\varphi} + (1 - \rho) \sin \varphi \hat{z}) = \\ &= \frac{1}{\rho} \sin \varphi (-z \hat{\rho} + (1 - \rho) \hat{z}) \end{aligned}$$

$$\underline{\text{rot } A = 0} \Leftrightarrow \sin \varphi = 0 \Leftrightarrow \underline{\varphi = 0}, \text{ (VSV).}$$

Uppgift 9.7 (Sid. 12)Lösning

$$\begin{aligned} A = \text{grad } \phi &= (\hat{\rho} \partial_\rho + \frac{1}{\rho} \hat{\varphi} \partial_\varphi + \hat{z} \partial_z) (\ln \cos \varphi - \ln \rho) = \\ &= -\frac{1}{\rho} \hat{\rho} + \frac{1}{\rho} (-\tan \varphi) \hat{\varphi} = \underline{-\frac{1}{\rho} (\hat{\rho} + \tan \varphi \hat{\varphi})}. \end{aligned}$$

Uppgift 9.8 (Sid. 12)Lösning

$$\underline{\underline{\rho = \cos \varphi, \quad z = \rho \sin \varphi}}$$

Vinkeln mellan två ytor S_1 och S_2 i en gemensam punkt P_0 är vinkeln mellan deras tangentplan i samma punkt, alternativt vinkeln mellan deras normaler (gradienter).
I cylinderkordinater har vi

$$\underline{\underline{x = \rho \cos \varphi, \quad y = \rho \sin \varphi \quad \text{och} \quad z = z.}}$$

$$\rho = \cos \varphi \Rightarrow \rho^2 = \rho \cos \varphi \Leftrightarrow x^2 + y^2 = x \quad (\text{cylinder})$$

$$z = \rho \sin \varphi = y \Leftrightarrow y - z = 0 \quad (\text{plan})$$

Den gemensamma punkten är (x_0, y_0, z_0) :

$$x_0 = \frac{1}{\sqrt{2}} \cdot \frac{1}{\sqrt{2}} = \frac{1}{2}, \quad y_0 = \frac{1}{2}, \quad z_0 = \frac{1}{2}.$$

$$\left. \begin{aligned} S_1: f_1(x) = x^2 + y^2 - x &\Rightarrow \nabla f_1(x) = (2x - 1, 2y, 0) \\ S_2: f_2(x) = y - z &\Rightarrow \nabla f_2(x) = (0, 1, -1) \end{aligned} \right\} \Rightarrow$$

$$\cos \theta = \frac{\nabla f_1(P_0) \cdot \nabla f_2(P_0)}{|\nabla f_1(P_0)| |\nabla f_2(P_0)|} = \frac{(0, 1, 0) \cdot (0, 1, -1)}{1 \cdot \sqrt{2}} = \frac{1}{\sqrt{2}} \Rightarrow \theta = \frac{\pi}{4}.$$

Uppgift 9.9 (Sid. 12)Lösning

$$\underline{\underline{S: r = 3 / (3 + \cos \theta)}}$$

$$r = \frac{3}{3 + \cos\theta} \Leftrightarrow 3r + r\cos\theta = 3 \Leftrightarrow 3\sqrt{x^2 + y^2 + z^2} + z = 3;$$

Den givna ytan är en nivåyta till

$$u = f(x, y, z) = 3\sqrt{x^2 + y^2 + z^2} + z.$$

$$\text{grad}f(\mathbf{r}) = \left(3\frac{x}{r}, 3\frac{y}{r}, 3\frac{z}{r} + 1\right) = 3\hat{r} + \hat{z}, \text{ ty } \mathbf{r} = r\hat{r}$$

$$\text{grad}f(\mathbf{r}) \cdot \mathbf{r} = 3r\hat{r} + r\hat{z} = 3r + z = 3;$$

$$|\text{grad}f(\mathbf{r})|^2 = 9\left(\frac{x^2}{r^2} + \frac{y^2}{r^2} + \frac{z^2}{r^2}\right) + 6\frac{z}{r} + 1;$$

$$|\text{grad}f(\mathbf{P})|^2 = 6\cos\theta + 10 \Leftrightarrow |\text{grad}f(\mathbf{P})| = \sqrt{6\cos\theta + 10};$$

$$|\mathbf{r}| = r = \frac{3}{3 + \cos\theta} = |\overrightarrow{OP}|.$$

$$\cos\alpha = \frac{\nabla f(\mathbf{P}) \cdot \mathbf{r}}{|\nabla f(\mathbf{P})|r} = \frac{3/r}{\sqrt{6\cos\theta + 10}} = \frac{\cos\theta + 3}{\sqrt{6\cos\theta + 10}} = \cos(\mathbf{r}, \nabla f).$$

Svar: Den sökta vinkeln är $\arccos \frac{3 + \cos\theta}{\sqrt{6\cos\theta + 10}}$.

Uppgift 9.10 (Sid. 12)

Lösning

$$\begin{cases} r = 2\sin 2\theta \\ \varphi = \frac{\pi}{4} \end{cases} \Rightarrow \begin{cases} x = r\sin\theta\cos\varphi = \sqrt{2}\sin 2\theta\sin\theta \\ y = r\sin\theta\sin\varphi = \sqrt{2}\sin 2\theta\sin\theta \\ z = 2\sin 2\theta\cos\theta \end{cases} \Leftrightarrow$$

$$\gamma: \mathbf{r}(\theta) = (2\sqrt{2}\sin^2\theta\cos\theta, 2\sqrt{2}\sin^2\theta\cos\theta, 4\cos^2\theta\sin\theta).$$

$$\frac{d\mathbf{r}}{d\theta} = (4\sqrt{2}\sin\theta\cos^2\theta - 2\sqrt{2}\sin^3\theta)\hat{x} +$$

$$+(4\sqrt{2}\sin\theta\cos^2\theta - 2\sqrt{2}\sin^3\theta)\hat{y} +$$

$$+(4\cos^3\theta - 8\sin^2\theta\cos\theta)\hat{z} \Rightarrow$$

$$\begin{cases} x = \frac{\sqrt{6}}{4} \Rightarrow 2\sqrt{2}\sin^2\theta\cos\theta = \frac{\sqrt{6}}{4} \\ z = \frac{3}{2} \Rightarrow 4\cos^2\theta\sin\theta = \frac{3}{2} \end{cases} \Leftrightarrow \begin{cases} \sin^2\theta\cos\theta = \frac{\sqrt{3}}{8} \\ \cos^2\theta\sin\theta = \frac{3}{8} \end{cases}$$

$$\Rightarrow \frac{\sin^2\theta\cos\theta}{\cos^2\theta\sin\theta} = \frac{\sqrt{3}}{3} \Leftrightarrow \tan\theta = \frac{1}{\sqrt{3}} \Rightarrow \theta = \frac{\pi}{6} \Rightarrow \begin{cases} \sin\theta = \frac{1}{2} \\ \cos\theta = \frac{\sqrt{3}}{2} \end{cases};$$

$$\begin{aligned} \mathbf{r}'\left(\frac{\pi}{6}\right) &= (4\sqrt{2} \cdot \frac{1}{2} \cdot \frac{3}{4} - 2\sqrt{2} \cdot \frac{1}{8}, 4\sqrt{2} \cdot \frac{1}{2} \cdot \frac{3}{4} - 2\sqrt{2} \cdot \frac{1}{8}, 4\frac{\sqrt{3}}{8} - 8 \cdot \frac{1}{4} \cdot \frac{\sqrt{3}}{2}) \\ &= \left(\frac{3\sqrt{2}}{2} - \frac{\sqrt{2}}{4}, \frac{3\sqrt{2}}{2} - \frac{\sqrt{2}}{4}, \frac{\sqrt{3}}{2} - \sqrt{3}\right) = \left(\frac{5\sqrt{2}}{4}, \frac{5\sqrt{2}}{4}, -\frac{\sqrt{3}}{2}\right). \end{aligned}$$

Uppgift 9.11 (Sid. 12)

Lösning

$$\mathbf{v} = \hat{r} + \hat{\varphi} \Rightarrow \hat{v} = \frac{\hat{r} + \hat{\varphi}}{\sqrt{2}}; \quad \mathbf{P}_0: (2, \frac{\pi}{2}, \frac{\pi}{4})$$

$$\begin{aligned} \text{grad}\phi(\mathbf{r}) &= (\hat{r}\partial_r + \frac{1}{r}\hat{\theta}\partial_\theta + \frac{1}{r\sin\theta}\hat{\varphi}\partial_\varphi) \frac{2 + \cos\theta}{r^2} = \\ &= -2\frac{2 + \cos\theta}{r^3}\hat{r} - \frac{\sin\theta}{r^3}\hat{\theta}; \end{aligned}$$

$$\text{grad}\phi(P_0) = -2 \cdot \frac{2}{2^3} \hat{r} - \frac{1}{2^3} \hat{\theta} = -\frac{1}{2} \hat{r} - \frac{1}{8} \hat{\theta};$$

$$\frac{\partial \phi}{\partial v} = \text{grad}\phi(P_0) \cdot \hat{v} = \left(-\frac{1}{2} \hat{r} - \frac{1}{8} \hat{\theta}\right) \cdot \left(\frac{1}{\sqrt{2}} \hat{r} + \frac{1}{\sqrt{2}} \hat{\varphi}\right) = \underline{\underline{-\frac{\sqrt{2}}{4}}}$$

Uppgift 9.12 (Sid. 12)

Lösning

$$\text{grad}\phi(\mathbf{r}) = \mathbf{F}(\mathbf{r}) = \left(\frac{e^{-z}}{\rho^3} 2\cos\varphi, \frac{e^{-z}}{\rho^3} \sin\varphi, \frac{e^{-z}}{\rho^2} \cos\varphi\right) \Leftrightarrow$$

$$\frac{\partial \phi}{\partial \rho} \hat{\rho} + \frac{1}{\rho} \frac{\partial \phi}{\partial \varphi} \hat{\varphi} + \frac{\partial \phi}{\partial z} \hat{z} = \frac{2e^{-z}}{\rho^3} \cos\varphi \hat{\rho} + \frac{e^{-z}}{\rho^3} \sin\varphi \hat{\varphi} + \frac{e^{-z}}{\rho^2} \cos\varphi \hat{z}$$

$$\Leftrightarrow \begin{cases} \frac{\partial \phi}{\partial \rho} = \frac{2}{\rho^3} \cos\varphi \cdot e^{-z} & (1) \\ \frac{\partial \phi}{\partial \varphi} = \frac{1}{\rho^2} \sin\varphi \cdot e^{-z} & (2) \\ \frac{\partial \phi}{\partial z} = \frac{1}{\rho} \cos\varphi \cdot e^{-z} & (3) \end{cases}$$

$$(1) \Rightarrow \underline{\underline{\phi = -\frac{1}{\rho^2} \cos\varphi \cdot e^{-z} + f(\varphi, z)}} \Rightarrow \frac{\partial \phi}{\partial \varphi} = \frac{1}{\rho^2} \sin\varphi \cdot e^{-z} +$$

$$+\frac{\partial f}{\partial \varphi} \stackrel{(2)}{=} \frac{1}{\rho^2} \sin\varphi \cdot e^{-z} \Leftrightarrow \frac{\partial f}{\partial \varphi} = 0 \Leftrightarrow \underline{\underline{f(\varphi, z) = g(z)}} \Rightarrow$$

$$\phi(\rho, \varphi, z) = -\frac{1}{\rho^2} \cos\varphi e^{-z} + g(z) \Rightarrow \frac{\partial \phi}{\partial z} = \frac{1}{\rho^2} \cos\varphi \cdot e^{-z} + g'(z) =$$

$$\stackrel{(3)}{=} \frac{1}{\rho^2} \cos\varphi \cdot e^{-z} \Leftrightarrow g'(z) = 0 \Leftrightarrow \underline{\underline{g(z) = C}} \text{ (konstant).}$$

Resultat: \mathbf{F} är ett potentialfält; en poten-

tial är t.ex. $\phi(\rho, \varphi, z) = -\frac{e^{-z}}{\rho^2} \cos\varphi$.

Uppgift 9.13 (Sid. 12)

Lösning $\underline{\underline{A = \rho^n \hat{\rho}}}$

$$(1) \text{ div } A = \frac{1}{\rho} \frac{d}{d\rho} \rho^{n+1} = \frac{1}{\rho} \cdot (n+1) \rho^n = (n+1) \rho^{n-1};$$

$$\text{grad}(\text{div } A) = \text{grad}((n+1) \rho^{n-1}) = (n+1)(n-1) \rho^{n-2} \hat{\rho};$$

$$(2) \text{ rot } A = 0 \Rightarrow \text{rot}(\text{rot } A) = 0;$$

$$(3) \text{ grad}(\text{div } A) - \text{rot}(\text{rot } A) = 0 \Leftrightarrow (n+1)(n-1) = 0 \Leftrightarrow \underline{\underline{n = \pm 1}}.$$

Anm. I cylinderkoordinater är skal-

faktorerna givna av $h_\rho = h_z = 1$, $h_\varphi = \rho$ s.a.

$$\begin{cases} \text{grad } \phi = \frac{\partial \phi}{\partial \rho} \hat{\rho} + \frac{1}{\rho} \frac{\partial \phi}{\partial \varphi} \hat{\varphi} + \frac{\partial \phi}{\partial z} \hat{z}; \\ \text{div } A = \frac{1}{\rho} \left(\frac{\partial}{\partial \rho} (\rho A_\rho) + \frac{\partial}{\partial \varphi} A_\varphi + \frac{\partial}{\partial z} (\rho A_z) \right) \\ \text{rot } A = \frac{1}{\rho} \begin{vmatrix} \hat{\rho} & \rho \hat{\varphi} & \hat{z} \\ \frac{\partial}{\partial \rho} & \frac{\partial}{\partial \varphi} & \frac{\partial}{\partial z} \\ A_\rho & \rho A_\varphi & A_z \end{vmatrix}; \underline{\underline{A = A_\rho \hat{\rho} + A_\varphi \hat{\varphi} + A_z \hat{z}}}. \end{cases}$$

Uppgift 9.14 (Sid. 12)

Lösning

$$\underline{\underline{B = \text{grad} \frac{\cos\theta}{r^2}, r \neq 0.}}$$

∇ sfäriska (eg. rymdpolära) koordinater är:

$$\text{grad } \phi = \frac{\partial \phi}{\partial r} \hat{r} + \frac{1}{r} \frac{\partial \phi}{\partial \theta} \hat{\theta} + \frac{1}{r \sin \theta} \frac{\partial \phi}{\partial \varphi} \hat{\varphi};$$

$$\text{div } A = \frac{1}{r^2 \sin \theta} \left[\frac{\partial}{\partial r} (r^2 \sin \theta A_r) + \frac{\partial}{\partial \theta} (r \sin \theta A_\theta) + \frac{\partial}{\partial \varphi} (r A_\varphi) \right].$$

$$B = -2 \frac{\cos \theta}{r^3} \hat{r} + \frac{1}{r} \left(-\frac{\sin \theta}{r^2} \right) \hat{\theta} = -\frac{2 \cos \theta}{r^3} \hat{r} - \frac{\sin \theta}{r^3} \hat{\theta}.$$

$$\begin{aligned} \text{div } B &= \frac{1}{r^2 \sin \theta} \left(\frac{\partial}{\partial r} \left(-\frac{\sin 2\theta}{r} \right) + \frac{\partial}{\partial \theta} \left(-\frac{\sin^2 \theta}{r^2} \right) \right) = \\ &= \frac{1}{r^2 \sin \theta} \left(\frac{\sin 2\theta}{r^2} - \frac{\sin 2\theta}{r^2} \right) = \frac{1}{r^2 \sin \theta} \cdot 0 = 0. \end{aligned}$$

Uppgift 9.15 (Sid. 12)

Lösning

$$A = (z^2 \sin^2 \varphi) \hat{\rho} + (z^2 \sin 2\varphi - \frac{z}{\rho} \sin \varphi) \hat{\varphi} + (\cos \varphi + 2\rho z \sin^2 \varphi) \hat{z}$$

$$\begin{aligned} \text{a) } \text{rot } A &= \frac{1}{\rho} \begin{vmatrix} \hat{\rho} & \rho \hat{\varphi} & \hat{z} \\ \frac{\partial}{\partial \rho} & \frac{\partial}{\partial \varphi} & \frac{\partial}{\partial z} \\ z^2 \sin^2 \varphi & \rho z^2 \sin 2\varphi - z \sin \varphi & \cos \varphi + 2\rho z \sin^2 \varphi \end{vmatrix} = \\ &= \frac{1}{\rho} \left((-\sin \varphi + 2\rho z \sin 2\varphi - 2\rho z \sin 2\varphi + \sin \varphi) \hat{\rho} + \right. \\ &\quad \left. + (2z \sin^2 \varphi - 2z \sin^2 \varphi) \hat{\varphi} + (z^2 \sin 2\varphi - z^2 \sin 2\varphi) \hat{z} \right) \\ &= \frac{1}{\rho} (0, 0, 0) = \frac{1}{\rho} 0 = 0 \Rightarrow A \text{ konservativt.} \end{aligned}$$

$$\text{b) } \text{grad } \phi(r) = A(r) \Leftrightarrow \begin{cases} \frac{\partial \phi}{\partial \rho} = z^2 \sin^2 \varphi & (1) \\ \frac{\partial \phi}{\partial \varphi} = \rho z^2 \sin 2\varphi - z \sin \varphi & (2) \\ \frac{\partial \phi}{\partial z} = \cos \varphi + 2\rho z \sin^2 \varphi & (3) \end{cases}$$

$$\text{Anm. } \text{grad } \phi = \frac{\partial \phi}{\partial \rho} \hat{\rho} + \frac{1}{\rho} \frac{\partial \phi}{\partial \varphi} \hat{\varphi} + \frac{\partial \phi}{\partial z} \hat{z}.$$

$$\begin{aligned} (1) \Rightarrow \phi &= \rho z^2 \sin^2 \varphi + f(\varphi, z) \Rightarrow \frac{\partial \phi}{\partial \varphi} = \rho z^2 \sin 2\varphi + \frac{\partial f}{\partial \varphi} = \\ &\stackrel{(2)}{=} \rho z^2 \sin 2\varphi - z \sin \varphi \Leftrightarrow \frac{\partial f}{\partial \varphi} = -z \sin \varphi \Rightarrow f(\varphi, z) = z \cos \varphi + \\ &+ g(z) \Rightarrow \phi = \rho z^2 \sin^2 \varphi + z \cos \varphi + g(z) \Rightarrow \frac{\partial \phi}{\partial z} = 2\rho z \sin^2 \varphi + \\ &+ \cos \varphi + g'(z) \stackrel{(3)}{=} \cos \varphi + 2\rho z \sin^2 \varphi \Leftrightarrow g'(z) = 0 \Leftrightarrow g(z) = C \\ &\Rightarrow \phi(\rho, \varphi, z) = \rho z^2 \sin^2 \varphi + z \cos \varphi. \end{aligned}$$

$$\text{c) } \int_P^Q A \cdot dr = \phi(1, \frac{\pi}{6}, 1) - \phi(5, \frac{\pi}{2}, -1) = \frac{1}{4} + \frac{\sqrt{3}}{2} - 5 = \frac{2\sqrt{3} - 19}{4}.$$

Uppgift 9.16 (Sid. 12)

Lösning

$$\begin{aligned} F = \text{grad } \phi &= \frac{\partial \phi}{\partial \rho} \hat{\rho} + \frac{1}{\rho} \frac{\partial \phi}{\partial \varphi} \hat{\varphi} + \frac{\partial \phi}{\partial z} \hat{z} = / \phi = (\frac{a}{\rho} + b\rho) \sin \varphi / = \\ &= \left(-\frac{a}{\rho^2} + b \right) \sin \varphi \hat{\rho} + \left(\frac{a}{\rho} + b\rho \right) \frac{1}{\rho} \cos \varphi \hat{\varphi} = \\ &= \left(b - \frac{a}{\rho^2} \right) \sin \varphi \hat{\rho} + \left(\frac{a}{\rho^2} + b \right) \cos \varphi \hat{\varphi}; \end{aligned}$$

Gauss' sats ger med $S = \partial D$:

$$\iint_S \mathbf{F} \cdot d\mathbf{S} = \iiint_D \operatorname{div} \mathbf{F} \cdot dV = \iiint_D \nabla^2 \phi \cdot dV \stackrel{!}{=} \iiint_D 0 \cdot dV = 0.$$

Anm. $\nabla \perp$ underförstås följande räkning:

$$\begin{aligned} \operatorname{div} \left(\left(b - \frac{a}{\rho^2} \right) \sin \varphi \hat{\rho} + \left(b + \frac{a}{\rho^2} \right) \cos \varphi \hat{\varphi} \right) &= \\ &= \frac{1}{\rho} \left[\frac{\partial}{\partial \rho} \left(\rho b - \frac{a}{\rho} \right) \sin \varphi + \frac{\partial}{\partial \varphi} \left(b + \frac{a}{\rho^2} \right) \cos \varphi \right] = \\ &= \frac{1}{\rho} \left(\left(b + \frac{a}{\rho^2} \right) \sin \varphi - \left(b + \frac{a}{\rho^2} \right) \sin \varphi \right) = 0. \end{aligned}$$

Uppgift 9.17 (Sid. 12)

Lösning

$$S: \mathbf{r}(\theta, \varphi) = \frac{1}{2 - \cos \theta} (\sin \theta \cos \varphi, \sin \theta \sin \varphi, \cos \theta)$$

$$\Delta: 0 \leq \theta \leq \pi, 0 \leq \varphi \leq 2\pi$$

$$\mathbf{r}'_{\theta} = \left(\frac{(2 \cos \theta - 1) \cos \varphi}{(2 - \cos \theta)^2}, \frac{(2 \cos \theta - 1) \sin \varphi}{(2 - \cos \theta)^2}, -\frac{2 \sin \theta}{(2 - \cos \theta)^2} \right);$$

$$\mathbf{r}'_{\varphi} = \left(\frac{-\sin \theta \sin \varphi}{2 - \cos \theta}, \frac{\sin \theta \cos \varphi}{2 - \cos \theta}, 0 \right);$$

$$\mathbf{r}'_{\theta} \times \mathbf{r}'_{\varphi} = \frac{\sin \theta}{(2 - \cos \theta)^3} (2 \sin \theta \cos \varphi, 2 \sin \theta \sin \varphi, 2 \cos \theta - 1);$$

$$\begin{aligned} \mathbf{A}(\mathbf{r}) \cdot (\mathbf{r}'_{\theta} \times \mathbf{r}'_{\varphi}) &= \frac{\sin \theta}{(2 - \cos \theta)^2} (2 \sin^2 \theta \cos^2 \varphi + 2 \sin^2 \theta \sin^2 \varphi + \\ &+ 2 \cos^2 \theta - \cos \theta) = \frac{\sin \theta}{(2 - \cos \theta)^2} (2 - \cos \theta) = \end{aligned}$$

$$= \frac{\sin \theta}{2 - \cos \theta} \Rightarrow \iint_S \mathbf{A} \cdot d\mathbf{S} = \iint_{\Delta} \frac{\sin \theta}{2 - \cos \theta} d\theta d\varphi = \underline{2\pi \ln 3}.$$

$$\begin{aligned} \text{Anm. } \mathbf{A}(\mathbf{r}) &= \frac{1}{r} \hat{r} = \frac{1}{\frac{1}{2 - \cos \theta}} \hat{r} = (2 - \cos \theta) \hat{r} = \\ &= (2 - \cos \theta) (\sin \theta \cos \varphi, \sin \theta \sin \varphi, \cos \theta). \end{aligned}$$

Uppgift 9.18 (Sid. 12)

Lösning

$$x^2 + y^2 + (z - 2)^2 = 4 \Leftrightarrow \rho^2 + (z - 2)^2 = 4 \Leftrightarrow \rho = \sqrt{4z - z^2};$$

$$S: \mathbf{r}(z, \varphi) = (\sqrt{4z - z^2} \cos \varphi, \sqrt{4z - z^2} \sin \varphi, z) \text{ (sfären)}$$

$$\Delta: 0 \leq z \leq 4, 0 \leq \varphi \leq 2\pi$$

$$\left. \begin{aligned} \mathbf{r}'_z &= \left(\frac{2-z}{\sqrt{4z-z^2}} \cos \varphi, \frac{2-z}{\sqrt{4z-z^2}} \sin \varphi, 1 \right) \\ \mathbf{r}'_{\varphi} &= (\sqrt{4z-z^2} (-\sin \varphi), \sqrt{4z-z^2} \cos \varphi, 0) \end{aligned} \right\} \Rightarrow \mathbf{r}'_z \times \mathbf{r}'_{\varphi} =$$

$$= (-\sqrt{4z-z^2} \cos \varphi, -\sqrt{4z-z^2} \sin \varphi, 2-z);$$

jag räknar med den utåtriktade normalen
så jag byter tecken på $\mathbf{r}'_z \times \mathbf{r}'_{\varphi}$ och får

$$\begin{aligned} \underline{\mathbf{A} \cdot d\mathbf{S}} &= \mathbf{A}(\mathbf{r}) \cdot (\mathbf{r}'_{\varphi} \times \mathbf{r}'_z) d\varphi dz = \sqrt{4z-z^2} \cdot z \frac{\rho^2-1}{\rho} d\varphi dz = \\ &= \sqrt{4z-z^2} \cdot z \frac{4z^2-z^2-1}{\sqrt{4z-z^2}} d\varphi dz = (4z^2-z^3-z) d\varphi dz; \end{aligned}$$

Ann. $\hat{p} = \left(\frac{x}{\rho}, \frac{y}{\rho}, 0\right) = (\cos\varphi, \sin\varphi, 0)$ så att

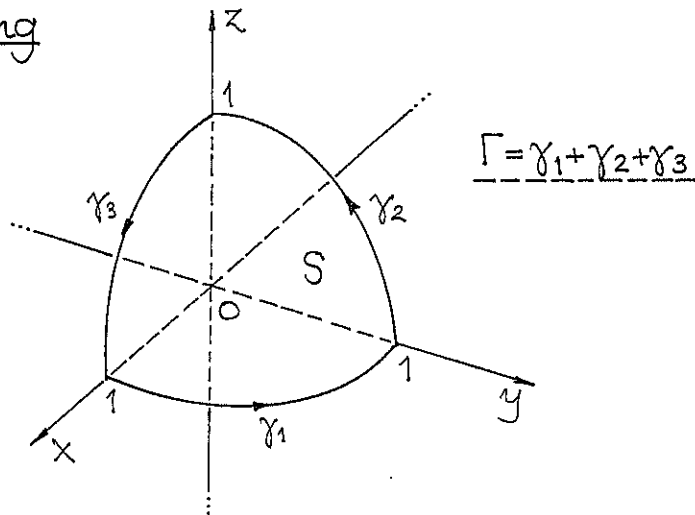
$$A(r) \cdot (r'_\varphi \times r'_z) = \sqrt{4z^2-1} \cdot z \frac{4z-z^2-1}{\sqrt{4z-z^2}} = 4z^2-z^3-z.$$

$$\iint_S A \cdot dS = \int_0^4 (4z^2-z^3-z) dz \int_0^{2\pi} d\varphi = 2\pi \left[\frac{4z^3}{3} - \frac{z^4}{4} - \frac{z^2}{2} \right]_0^4 =$$

$$= 2\pi \left(\frac{256}{12} - 8 \right) = 2\pi = 2\pi \left(\frac{64}{3} - 8 \right) = 2\pi \cdot \frac{40}{3} = \frac{80\pi}{3}$$

Uppgift 9.19 (Sid. 13)

Lösning



(1) $\gamma_1: dr = 1 \cdot d\theta \cdot (-\hat{\theta}) = -d\theta \hat{\theta};$

$$\int_{\gamma_1} A \cdot dr = - \int_0^{\pi/2} \sin\theta d\theta = [\cos\theta]_0^{\pi/2} = -\cos 0 = -1;$$

(2) $\gamma_2: dr = 1 \cdot d\theta \cdot \hat{\theta} = d\theta \hat{\theta};$

$$\int_{\gamma_2} A \cdot dr = \int_0^{\pi/2} \sin\theta d\theta = [-\cos\theta]_0^{\pi/2} = 1.$$

(3) $\gamma_3: dr = 1 \cdot d\varphi \hat{\varphi} = d\varphi \hat{\varphi};$

$$\int_{\gamma_3} A \cdot dr = \int_0^{\pi/2} \sin\frac{\pi}{2} d\varphi = \frac{\pi}{2}.$$

(4) $\int_{\Gamma} A \cdot dr = \left(\int_{\gamma_1} + \int_{\gamma_2} + \int_{\gamma_3} \right) A \cdot dr = -1 + 1 + \frac{\pi}{2} = \frac{\pi}{2}.$

Ann. Man kan tillämpa Stokes sats:

$$\text{rot } A = \frac{1}{r^2 \sin\theta} \begin{vmatrix} \hat{r} & r\hat{\theta} & r\sin\theta\hat{\varphi} \\ \frac{\partial}{\partial r} & \frac{\partial}{\partial \theta} & \frac{\partial}{\partial \varphi} \end{vmatrix} =$$

$$= \frac{1}{r^2 \sin\theta} \left((2r\sin\theta \cos\theta) \hat{r} - (r\sin^2\theta) \hat{\theta} + \right.$$

$$\left. + (r\sin\theta \cos\theta) \hat{\varphi} \right) =$$

$$= \frac{2}{r} \cos\theta \hat{r} - \frac{1}{r} \sin\theta \hat{\theta} + \frac{1}{r} \cos\theta \hat{\varphi} \quad (r=1 \text{ på } S).$$

$$\oint_{\Gamma} A \cdot dr = \iint_{\Delta} 2\cos\theta \cdot \sin\theta d\theta d\varphi = \int_0^{\pi/2} 2\cos\theta \sin\theta d\theta \cdot \frac{\pi}{2}$$

$$= \frac{\pi}{2} [\sin^2\theta]_0^{\pi/2} = \frac{\pi}{2}.$$

Observera att den första oktanten svarar mot $0 \leq \theta, \varphi \leq \frac{\pi}{2}$, det som skrivs Δ häröver.

I en tentamen måste man avgöra tidigt vilken metod som skall användas.

Uppgift 9.20 (Sid. 13)Lösning

$$x^2 + y^2 + (z-1)^2 = 1 \Rightarrow \rho^2 + (z-1)^2 = 1 \Leftrightarrow \rho = \sqrt{2z-z^2} \Rightarrow$$

$$S: \underline{r(\varphi, z) = (\sqrt{2z-z^2} \cos\varphi, \sqrt{2z-z^2} \sin\varphi, z)}; \text{ sfär.}$$

$$\underline{\Delta: 0 \leq \varphi \leq 2\pi, 0 \leq z \leq 2.}$$

$$\left. \begin{aligned} r'_\varphi &= (-\sqrt{2z-z^2} \sin\varphi, \sqrt{2z-z^2} \cos\varphi, 0) \\ r'_z &= \left(\frac{1-z}{\sqrt{2z-z^2}} \cos\varphi, \frac{1-z}{\sqrt{2z-z^2}} \sin\varphi, 1 \right) \end{aligned} \right\} \Rightarrow r'_\varphi \times r'_z =$$

$$\stackrel{!}{=} \begin{vmatrix} \hat{x} & \hat{y} & \hat{z} \\ -\sin\varphi & \cos\varphi & 0 \\ \cos\varphi(1-z) & \sin\varphi(1-z) & \sqrt{2z-z^2} \end{vmatrix} = (\sqrt{2z-z^2} \cos\varphi) \hat{x} +$$

$$+ (\sqrt{2z-z^2} \sin\varphi) \hat{y} + (z-1) \hat{z}; \quad \hat{\rho} = (\cos\varphi, \sin\varphi, 0).$$

$$A \cdot dS = A \cdot (r'_\varphi \times r'_z) d\varphi dz = \sqrt{2z-z^2} d\varphi dz \Rightarrow$$

$$\begin{aligned} \oint_S A \cdot dS &= \iint_{\Delta} \sqrt{2z-z^2} d\varphi dz = \int_0^2 \sqrt{1-(z-1)^2} dz \cdot 2\pi = \\ &= 2\pi \int_{-1}^1 \sqrt{1-t^2} dt = 2\pi \cdot \frac{\pi}{2} = \underline{\underline{\pi^2}}. \end{aligned}$$

Anm. $\nabla \cdot \hat{\rho}$ underförstås determinantteori:

$$\begin{vmatrix} a_{11} & a_{12} & a_{13} \\ \lambda a_{21} & \lambda a_{22} & \lambda a_{23} \\ \mu a_{31} & \mu a_{32} & \mu a_{33} \end{vmatrix} = \lambda \cdot \mu \begin{vmatrix} a_{11} & a_{12} & a_{13} \\ a_{21} & a_{22} & a_{23} \\ a_{31} & a_{32} & a_{33} \end{vmatrix}, \quad \begin{cases} \lambda = \sqrt{2z-z^2} \\ \mu = \frac{1}{\sqrt{2z-z^2}} \end{cases}$$

Problem 9.21 (Sid. 13)Lösning

$$\rho + z = 2 \Leftrightarrow \sqrt{x^2 + y^2} = 2 - z \geq 0 \Leftrightarrow \underline{\underline{z = 2 - \sqrt{x^2 + y^2}}}$$

Jag söker kurvans projektion i xy -planet;

$$\underline{z\text{-koordinater lika}} \Rightarrow z = \frac{1-y}{2} = 2 - \sqrt{x^2 + y^2} \Leftrightarrow$$

$$\Leftrightarrow \sqrt{x^2 + y^2} = 2 - \frac{1-y}{2} = \frac{y+3}{2} \Leftrightarrow 4(x^2 + y^2) = (y+3)^2$$

$$\Leftrightarrow 4x^2 + 4y^2 = y^2 + 6y + 9 \Leftrightarrow 4x^2 + 3y^2 - 6y = 9 \Leftrightarrow$$

$$\Leftrightarrow 4x^2 + 3(y-1)^2 = 12 \Leftrightarrow \frac{x^2}{3} + \frac{(y-1)^2}{4} = 1 \quad (\text{ellips}).$$

$$\begin{aligned} A = \rho \hat{\rho} &= \rho(-\sin\varphi, \cos\varphi, 0) = (-\rho \sin\varphi, \rho \cos\varphi, 0) = \\ &= (-y, x, 0) \Rightarrow \text{rot } A = (0, 0, 2) \end{aligned}$$

Jag tillämpar Stokes sats på det plana ytstycket som ligger ovanför konen och har γ till rand.

$$S: r(u, v) = (u, v, \frac{1-v}{2}), \quad D: \frac{u^2}{3} + \frac{(v-1)^2}{4} \leq 1.$$

$$r'_u \times r'_v = (1, 0, 0) \times (0, 1, -\frac{1}{2}) = (0, \frac{1}{2}, 1);$$

$$\oint_{\Gamma} A \cdot dr = \iint_S (0, 0, 2) \cdot (0, \frac{1}{2}, 1) du dv = 2 \iint_S du dv =$$

$$= \left[\begin{array}{l|l} u = \sqrt{3} r \cos \theta & 0 \leq r \leq 1 \\ v = 1 + 2r \sin \theta & 0 \leq \theta \leq 2\pi \end{array} \right] dudv \rightarrow 2\sqrt{3} r dr d\theta = 2\sqrt{3} \cdot 2\pi = \underline{4\sqrt{3}\pi}$$

Uppgift 9.22 (Sid. 13)

Lösning

a) $u = u(x, y, z) = x^2 - y^2 \Rightarrow \nabla u = (2x, -2y, 0) \Rightarrow |\nabla u| = 2\sqrt{x^2 + y^2} \Rightarrow \hat{u} = \frac{\nabla u}{|\nabla u|} = \frac{1}{\sqrt{x^2 + y^2}}(x, -y, 0)$.

$v = v(x, y, z) = xy \Rightarrow \nabla v = (y, x, 0) \Rightarrow \hat{v} = \frac{1}{\sqrt{x^2 + y^2}}(y, x, 0)$.

$w = w(x, y, z) = z \Rightarrow \nabla w = (0, 0, 1) = \hat{w}$.

$\hat{u} \cdot \hat{v} = \hat{u} \cdot \hat{w} = \hat{v} \cdot \hat{w} = 0 \Rightarrow \underline{\hat{u}, \hat{v}, \hat{w} \text{ ortogonala}}$.

b) Skalfaktorerna är $h_u = \sqrt{x^2 + y^2}$, $h_v = \sqrt{x^2 + y^2}$ och $h_w = 1$. Dessa uttrycks i u, v, w .

$$\begin{cases} u = x^2 - y^2 \\ v = xy \end{cases} \Leftrightarrow u^2 + (2v)^2 = (x^2 + y^2)^2 \Leftrightarrow \underline{x^2 + y^2 = \sqrt{u^2 + 4v^2}}$$

Med hjälp av funktionsmatriser fås

$$\frac{\partial(u, v, w)}{\partial(x, y, z)} = \begin{bmatrix} 2x & -2y & 0 \\ y & x & 0 \\ 0 & 0 & 1 \end{bmatrix} = \left(\frac{\partial(x, y, z)}{\partial(u, v, w)} \right)^{-1} \Leftrightarrow \frac{\partial(x, y, z)}{\partial(u, v, w)} =$$

$$= \begin{bmatrix} 2x & -2y & 0 \\ y & x & 0 \\ 0 & 0 & 1 \end{bmatrix}^{-1} = \frac{1}{2(x^2 + y^2)} \begin{bmatrix} x & 2y & 0 \\ -y & 2x & 0 \\ 0 & 0 & 2(x^2 + y^2) \end{bmatrix};$$

$$\frac{\partial r}{\partial u} = \frac{\partial(x, y, z)}{\partial u} = \frac{1}{2(x^2 + y^2)}(x, -y, 0) \text{ och p.s.s.}$$

$$\frac{\partial r}{\partial v} = \frac{1}{2(x^2 + y^2)}(2y, 2x, 0), \quad \frac{\partial r}{\partial w} = (0, 0, 1).$$

Vi får avbildningens skalfaktorer:

$$h_u = \left| \frac{\partial r}{\partial u} \right| = \frac{\sqrt{x^2 + y^2}}{2(x^2 + y^2)} = \frac{1}{2\sqrt{u^2 + 4v^2}}, \quad h_v$$

$$h_v = \left| \frac{\partial r}{\partial v} \right| = \frac{1}{\sqrt{x^2 + y^2}} = \frac{1}{\sqrt{u^2 + 4v^2}} \text{ och } h_w = 1.$$

$$\begin{aligned} \operatorname{div} A &= \frac{1}{h_u h_v h_w} \left[\frac{\partial}{\partial u} (h_v h_w A_u) + \frac{\partial}{\partial v} (h_u h_w A_v) + \right. \\ &\quad \left. + \frac{\partial}{\partial w} (h_u h_v A_w) \right] = \\ &= 2\sqrt{u^2 + 4v^2} \left[\frac{\partial}{\partial u} \left(\frac{1}{\sqrt{u^2 + 4v^2}} A_u \right) + \right. \\ &\quad \left. + \frac{\partial}{\partial v} \left(\frac{1}{2\sqrt{u^2 + 4v^2}} A_v \right) + \right. \\ &\quad \left. + \frac{\partial}{\partial w} \left(\frac{1}{2\sqrt{u^2 + 4v^2}} A_w \right) \right]. \end{aligned}$$

Man ska hålla sig borta från origo.

Uppgift 9.23 (Sid. 13)

Lösning

$$\underline{x = uv \cos \varphi, y = uv \sin \varphi, z = \frac{u^2 - v^2}{2}}$$

a) $x^2 + y^2 = (uv)^2 \Leftrightarrow uv = \sqrt{x^2 + y^2}$

$$\left. \begin{array}{l} u^2 - v^2 = 2z \\ uv = \sqrt{x^2 + y^2} \end{array} \right\} \Rightarrow (u^2 + v^2)^2 = (u^2 - v^2)^2 + 4u^2v^2 =$$

$$= 4z^2 + 4(x^2 + y^2) = 4(x^2 + y^2 + z^2) \Leftrightarrow \underline{u^2 + v^2 = 2\sqrt{x^2 + y^2 + z^2}}$$

$$\begin{cases} u^2 - v^2 = 2z \\ u^2 + v^2 = 2\sqrt{x^2 + y^2 + z^2} \end{cases} \Leftrightarrow \begin{cases} u^2 = \sqrt{x^2 + y^2 + z^2} + z \\ v^2 = \sqrt{x^2 + y^2 + z^2} - z \end{cases} \Leftrightarrow$$

$$\begin{cases} \tan \varphi = y/x \\ \varphi = \arctan y/x \end{cases}$$

$$\Leftrightarrow \underline{u = \sqrt{\sqrt{x^2 + y^2 + z^2} + z}, v = \sqrt{\sqrt{x^2 + y^2 + z^2} - z}, \varphi = \arctan \frac{y}{x}}$$

$$\underline{\Delta: 0 \leq u < \infty, 0 \leq v < \infty, 0 \leq \varphi \leq 2\pi}$$

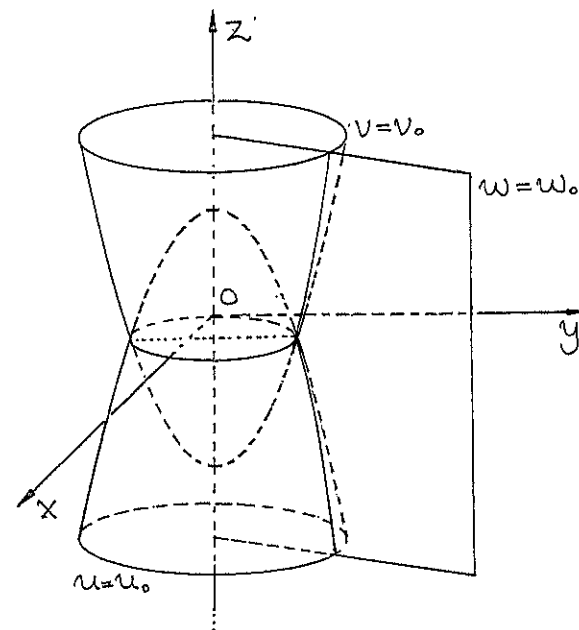
b) $\underline{u = u_0} \Rightarrow x = u_0 v \cos \varphi, y = u_0 v \sin \varphi, z = \frac{u_0^2 - v^2}{2}$

$$x^2 + y^2 = u_0^2 v^2 \Rightarrow z = \frac{1}{2} \left(u_0^2 - \frac{x^2 + y^2}{u_0^2} \right) \text{ paraboloid.}$$

$$\underline{v = v_0} \Rightarrow x = uv_0 \cos \varphi, y = uv_0 \sin \varphi, z = \frac{u^2 - v_0^2}{2}$$

$$x^2 + y^2 = u^2 v_0^2 \Rightarrow z = \frac{1}{2} \left(\frac{x^2 + y^2}{v_0^2} - v_0^2 \right) \text{ paraboloid/z.}$$

$$\underline{\varphi = \varphi_0} \Rightarrow y = \tan \varphi_0 \cdot x, \text{ planskärna, (halvplan).}$$



$\underline{u = u_0, v = v_0}$: Skärningen mellan två rotationsparaboloider är en cirkel (se figur).

$\underline{u = u_0, \varphi = \varphi_0}$: Skärningen mellan en rotationsparaboloid och ett halvplan är en parabelbåge.

$\underline{v = v_0, \varphi = \varphi_0}$: Detsamma som ovan men med parabelbågen omkastad.

c) $\underline{r(u, v, \varphi) = (uv \cos \varphi, uv \sin \varphi, \frac{u^2 - v^2}{2})}$

$$\begin{cases} \frac{\partial \mathbf{r}}{\partial u} = (v \cos \varphi, v \sin \varphi, u) \\ \frac{\partial \mathbf{r}}{\partial v} = (u \cos \varphi, u \sin \varphi, -v) \\ \frac{\partial \mathbf{r}}{\partial \varphi} = (-u v \sin \varphi, u v \cos \varphi, 0) \end{cases} \Rightarrow \begin{cases} \frac{\partial \mathbf{r}}{\partial u} \cdot \frac{\partial \mathbf{r}}{\partial v} = uv - uv = 0 \\ \frac{\partial \mathbf{r}}{\partial \varphi} \cdot \frac{\partial \mathbf{r}}{\partial u} = \frac{uv^2}{2} (\sin 2\varphi - \sin 2\varphi) = 0 \\ \frac{\partial \mathbf{r}}{\partial \varphi} \cdot \frac{\partial \mathbf{r}}{\partial v} = \frac{u^2 v}{2} (\sin 2\varphi - \sin 2\varphi) = 0 \end{cases}$$

⇒ de paraboliska koordinaterna är ortogonala.

d) $h_u = h_v = \left| \frac{\partial \mathbf{r}}{\partial u} \right| = \left| \frac{\partial \mathbf{r}}{\partial v} \right| = \sqrt{u^2 + v^2}$, $h_\varphi = \left| \frac{\partial \mathbf{r}}{\partial \varphi} \right| = uv$.

$$\begin{aligned} \text{grad} \phi &= \frac{1}{h_u} \frac{\partial \phi}{\partial u} \hat{u} + \frac{1}{h_v} \frac{\partial \phi}{\partial v} \hat{v} + \frac{1}{h_\varphi} \frac{\partial \phi}{\partial \varphi} \hat{\varphi} = \\ &= \frac{1}{\sqrt{u^2 + v^2}} \frac{\partial \phi}{\partial u} \hat{u} + \frac{1}{\sqrt{u^2 + v^2}} \frac{\partial \phi}{\partial v} \hat{v} + \frac{1}{uv} \frac{\partial \phi}{\partial \varphi} \hat{\varphi}. \end{aligned}$$

e) $\frac{\partial \mathbf{r}}{\partial u}$, $\frac{\partial \mathbf{r}}{\partial v}$, $\frac{\partial \mathbf{r}}{\partial \varphi}$ samt skalfaktorer ser du ovan.

$$\begin{cases} \hat{u} = \frac{1}{h_u} \frac{\partial \mathbf{r}}{\partial u} = \frac{1}{\sqrt{u^2 + v^2}} \frac{\partial \mathbf{r}}{\partial u} \\ \hat{v} = \frac{1}{h_v} \frac{\partial \mathbf{r}}{\partial v} = \frac{1}{\sqrt{u^2 + v^2}} \frac{\partial \mathbf{r}}{\partial v} \\ \hat{\varphi} = \frac{1}{h_\varphi} \frac{\partial \mathbf{r}}{\partial \varphi} = \frac{1}{uv} \frac{\partial \mathbf{r}}{\partial \varphi} \end{cases} \Leftrightarrow \Leftrightarrow \begin{bmatrix} \hat{u} \\ \hat{v} \\ \hat{\varphi} \end{bmatrix} = \underbrace{\begin{bmatrix} \frac{v \cos \varphi}{\sqrt{u^2 + v^2}} & \frac{v \sin \varphi}{\sqrt{u^2 + v^2}} & \frac{u}{\sqrt{u^2 + v^2}} \\ \frac{u \cos \varphi}{\sqrt{u^2 + v^2}} & \frac{u \sin \varphi}{\sqrt{u^2 + v^2}} & \frac{-v}{\sqrt{u^2 + v^2}} \\ -\sin \varphi & \cos \varphi & 0 \end{bmatrix}}_{\text{ON-matris}} \begin{bmatrix} \hat{x} \\ \hat{y} \\ \hat{z} \end{bmatrix} \Leftrightarrow$$

$$\Leftrightarrow \begin{bmatrix} \hat{x} \\ \hat{y} \\ \hat{z} \end{bmatrix} = \underbrace{\begin{bmatrix} \frac{v \cos \varphi}{\sqrt{u^2 + v^2}} & \frac{u \cos \varphi}{\sqrt{u^2 + v^2}} & -\sin \varphi \\ \frac{v \sin \varphi}{\sqrt{u^2 + v^2}} & \frac{u \sin \varphi}{\sqrt{u^2 + v^2}} & \cos \varphi \\ \frac{u}{\sqrt{u^2 + v^2}} & \frac{-v}{\sqrt{u^2 + v^2}} & 0 \end{bmatrix}}_{\text{transponatet}} \begin{bmatrix} \hat{u} \\ \hat{v} \\ \hat{\varphi} \end{bmatrix}$$

Basbytet mellan två ON-baser förmedlas av en ON-matris.

Uppgift 9.24 (Sid. 13)

Lösning

$$\mathbf{r}(\xi, \eta, z) = (\cosh \xi \cos \eta, \sinh \xi \sin \eta, z); \quad \begin{cases} 0 \leq \xi < \infty \\ -\pi < \eta \leq \pi \\ -\infty < z < \infty \end{cases}$$

$$\begin{cases} \frac{\partial \mathbf{r}}{\partial \xi} = (\sinh \xi \cos \eta, \cosh \xi \sin \eta, 0) \\ \frac{\partial \mathbf{r}}{\partial \eta} = (-\cosh \xi \sin \eta, \sinh \xi \cos \eta, 0) \\ \frac{\partial \mathbf{r}}{\partial z} = (0, 0, 1) \end{cases}$$

$$\begin{aligned} \frac{\partial \mathbf{r}}{\partial \xi} \cdot \frac{\partial \mathbf{r}}{\partial \eta} &= -\cosh \xi \sinh \xi \sin \eta \cos \eta + \cosh \xi \sinh \xi \cdot \\ &\quad \cdot \sin \eta \cos \eta = 0. \end{aligned}$$

Allt $\frac{\partial \mathbf{r}}{\partial \xi} \cdot \frac{\partial \mathbf{r}}{\partial z} = \frac{\partial \mathbf{r}}{\partial \eta} \cdot \frac{\partial \mathbf{r}}{\partial z} = 0$ är inte svår att inse; systemet är således ortogonalt.

$$\begin{aligned}
 h_{\xi}^2 &= \frac{\partial r}{\partial \xi} \cdot \frac{\partial r}{\partial \xi} = (\sinh \xi \cos \eta)^2 + (\cosh \xi \sin \eta)^2 = \\
 &= \sinh^2 \xi \cos^2 \eta + \cosh^2 \xi \sin^2 \eta = \\
 &= \sinh^2 \xi \cos^2 \eta + (1 + \sinh^2 \xi) \sin^2 \eta = \\
 &= \sinh^2 \xi (\cos^2 \eta + \sin^2 \eta) + \sin^2 \eta = \\
 &= \sinh^2 \xi + \sin^2 \eta \Leftrightarrow \underline{h_{\xi} = \sqrt{\sinh^2 \xi + \sin^2 \eta}}.
 \end{aligned}$$

$$\begin{aligned}
 h_{\eta}^2 &= \frac{\partial r}{\partial \eta} \cdot \frac{\partial r}{\partial \eta} = (-\cosh \xi \sin \eta)^2 + (\sinh \xi \cos \eta)^2 = \\
 &= \cosh^2 \xi \sin^2 \eta + \sinh^2 \xi \cos^2 \eta = \\
 &= (1 + \sinh^2 \xi) \sin^2 \eta + \sinh^2 \xi \cos^2 \eta = \\
 &= \sin^2 \eta + \sinh^2 \xi (\sin^2 \eta + \cos^2 \eta) = \\
 &= \sin^2 \eta + \sinh^2 \xi = 1 - \cos^2 \eta + \sinh^2 \xi = \\
 &= \cosh^2 \xi - \cos^2 \eta \Leftrightarrow \underline{h_{\eta} = \sqrt{\cosh^2 \xi - \cos^2 \eta}}.
 \end{aligned}$$

$h_x = 1$ är lätt att visa.

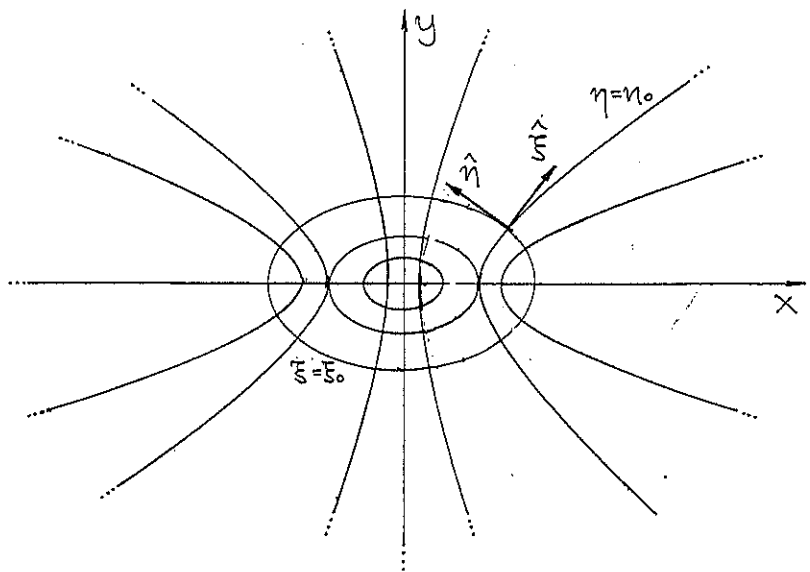
$$\begin{aligned}
 \xi = \xi_0 \Rightarrow x = \cosh \xi_0 \cos \eta \wedge y = \sinh \xi_0 \sin \eta \Leftrightarrow \\
 \Leftrightarrow \left(\frac{x}{\cosh \xi_0}\right)^2 + \left(\frac{y}{\sinh \xi_0}\right)^2 = 1. \quad (1)
 \end{aligned}$$

η -koordinatkurvorna är ellipser.

$$\begin{aligned}
 \eta = \eta_0 \Rightarrow x = \cosh \xi \cos \eta_0 \wedge y = \sinh \xi \sin \eta_0 \Rightarrow \\
 \Rightarrow \left(\frac{x}{\cos \eta_0}\right)^2 - \left(\frac{y}{\sin \eta_0}\right)^2 = 1 \quad (2)
 \end{aligned}$$

ξ -koordinatkurvorna är hyperbler.

Amm. I (1) underförstås den trigonometriska ettan $\cos^2 \eta + \sin^2 \eta = 1$ och i (2) underförstås den hyperboliska ettan $\cosh^2 \xi - \sinh^2 \xi = 1$.



Uppgift 9.25 (Sid. 13)

Lösning

$$\underline{r(R, \theta, \varphi) = ((a - R \cos \theta) \cos \varphi, (a - R \cos \theta) \sin \varphi, R \sin \theta)}$$

$$\left. \begin{aligned} \frac{\partial r}{\partial R} &= (-\cos\theta \cos\varphi, -\cos\theta \sin\varphi, \sin\theta) \\ \frac{\partial r}{\partial \theta} &= (R \sin\theta \cos\varphi, R \sin\theta \sin\varphi, R \cos\theta) \\ \frac{\partial r}{\partial \varphi} &= ((R \cos\theta - a) \sin\varphi, (a - R \cos\theta) \cos\varphi, 0) \end{aligned} \right\} \Rightarrow$$

$$\begin{aligned} \Rightarrow \frac{\partial r}{\partial R} \frac{\partial r}{\partial \theta} &= -R \sin\theta \cos\theta \cos^2\varphi - R \sin\theta \cos\theta \sin^2\varphi + \\ &+ R \sin\theta \cos\theta = \\ &= -R \sin\theta \cos\theta (\cos^2\varphi + \sin^2\varphi) + R \sin\theta \cos\theta = \\ &= -R \sin\theta \cos\theta + R \sin\theta \cos\theta = 0 \text{ och p.s.s.} \end{aligned}$$

$$\frac{\partial r}{\partial R} \frac{\partial r}{\partial \varphi} = (a - R \cos\theta) (\cos\theta \sin\varphi \cos\varphi - \cos\theta \sin\varphi \cos\varphi) = 0$$

$$\text{och } \frac{\partial r}{\partial \theta} \frac{\partial r}{\partial \varphi} = (a - R \cos\theta) (-\sin\theta \sin\varphi \cos\varphi + \sin\theta \sin\varphi \cos\varphi) = 0.$$

$$\begin{aligned} h_1 = \left| \frac{\partial r}{\partial R} \right| &= (\cos^2\theta \cos^2\varphi + \cos^2\theta \sin^2\varphi + \sin^2\theta)^{1/2} = \\ &= (\cos^2\theta (\cos^2\varphi + \sin^2\varphi) + \sin^2\theta)^{1/2} = \\ &= (\cos^2\theta + \sin^2\theta)^{1/2} = 1. \end{aligned}$$

$$\begin{aligned} h_2 = \left| \frac{\partial r}{\partial \theta} \right| &= R (\sin^2\theta \cos^2\varphi + \sin^2\theta \sin^2\varphi + \cos^2\theta)^{1/2} = \\ &= R (\sin^2\theta (\cos^2\varphi + \sin^2\varphi) + \cos^2\theta)^{1/2} = \\ &= R (\sin^2\theta + \cos^2\theta)^{1/2} = R. \end{aligned}$$

$$h_3 = \left| \frac{\partial r}{\partial \varphi} \right| = (a - R \cos\theta) (\sin^2\varphi + \cos^2\varphi)^{1/2} = a - R \cos\theta.$$

Uppgift 9.26 (Sid. 13)

Lösning

$$\text{grad } \Omega = \frac{\partial}{\partial r} \Omega \hat{r} + \frac{1}{r} \frac{\partial}{\partial \theta} \Omega \hat{\theta} + \frac{1}{r \sin\theta} \frac{\partial}{\partial \varphi} \Omega \hat{\varphi}$$

$$r \cdot \text{grad } \Omega = n \Omega \Leftrightarrow r \frac{\partial \Omega}{\partial r} = n \Omega \Leftrightarrow r^n \frac{\partial \Omega}{\partial r} - n r^{n-1} \Omega = 0$$

$$\Leftrightarrow \frac{\partial}{\partial r} \left(\frac{\Omega}{r^n} \right) = 0 \Leftrightarrow \frac{\Omega}{r^n} = f(\theta, \varphi) \Leftrightarrow \Omega = r^n f(\theta, \varphi).$$

Uppgift 9.27 (Sid. 13)

Lösning

$$\nabla = \hat{\rho} \frac{\partial}{\partial \rho} + \hat{\varphi} \frac{1}{\rho} \frac{\partial}{\partial \varphi} + \hat{z} \frac{\partial}{\partial z}; \quad \mathcal{F} = \rho \cos\varphi \hat{\rho} + \sin\varphi \hat{\varphi};$$

$$\frac{\partial}{\partial \varphi} \hat{\rho} = \frac{\partial}{\partial \varphi} (\cos\varphi \hat{x} + \sin\varphi \hat{y}) = -\sin\varphi \hat{x} + \cos\varphi \hat{y} = \hat{\varphi};$$

$$\frac{\partial}{\partial \varphi} \hat{\varphi} = \frac{\partial}{\partial \varphi} (-\sin\varphi \hat{x} + \cos\varphi \hat{y}) = -\cos\varphi \hat{x} - \sin\varphi \hat{y} = -\hat{\rho};$$

$$\mathcal{F} \cdot \nabla = \rho \cos\varphi \frac{\partial}{\partial \rho} + \frac{\sin\varphi}{\rho} \frac{\partial}{\partial \varphi};$$

$$(\mathcal{F} \cdot \nabla) \mathcal{F} = \left(\rho \cos\varphi \frac{\partial}{\partial \rho} + \frac{\sin\varphi}{\rho} \frac{\partial}{\partial \varphi} \right) (\rho \cos\varphi \hat{\rho} + \sin\varphi \hat{\varphi}) =$$

$$= \rho \cos\varphi \frac{\partial}{\partial \rho} (\rho \cos\varphi \hat{\rho}) + \frac{\sin\varphi}{\rho} \frac{\partial}{\partial \varphi} (\rho \cos\varphi \hat{\rho}) +$$

$$+ \rho \cos\varphi \frac{\partial}{\partial \rho} (\sin\varphi \hat{\varphi}) + \frac{\sin\varphi}{\rho} \frac{\partial}{\partial \varphi} (\sin\varphi \hat{\varphi}) =$$

$$= r \cos\varphi \cdot \cos\varphi \hat{\rho} + \frac{\sin\varphi}{\rho} (-\rho \sin\varphi \hat{\rho} + \rho \cos\varphi \hat{\varphi}) +$$

$$\begin{aligned}
& + \frac{\sin\varphi}{\rho} (\cos\varphi\hat{\varphi} - \sin\varphi\hat{\rho}) = \\
& = \rho\cos^2\varphi\hat{\rho} - \sin^2\varphi\hat{\rho} + \sin\varphi\cos\varphi\hat{\varphi} + \frac{\sin\varphi\cos\varphi}{\rho}\hat{\varphi} - \\
& \quad - \frac{\sin^2\varphi}{\rho}\hat{\rho} = \\
& = (\rho\cos^2\varphi - \sin^2\varphi - \frac{\sin^2\varphi}{\rho})\hat{\rho} + \sin\varphi\cos\varphi(1 + \frac{1}{\rho})\hat{\varphi} = \\
& = (\rho - \rho\sin^2\varphi - \sin^2\varphi - \frac{1}{\rho}\sin^2\varphi)\hat{\rho} + \sin\varphi\cos\varphi(1 + \frac{1}{\rho})\hat{\varphi} = \\
& = \underline{\underline{(\rho - (\rho + 1 + \frac{1}{\rho})\sin^2\varphi)\hat{\rho} + (1 + \frac{1}{\rho})\sin\varphi\cos\varphi\hat{\varphi}}}.
\end{aligned}$$