

LPC24COM-A2

- [1] Contents
- [2] Communication ETH
- [3] Communication USB
- [4] Communication RS232/CAN
- [5] Connectors
- [6] Power

This document may not be passed on, duplicated or its contents utilized, unless expressly permitted. Violating this stipulation will result in the liability to pay damages. All rights reserved in case of a patent registration or registered design.

R1 / 29.08.2007 / Ar

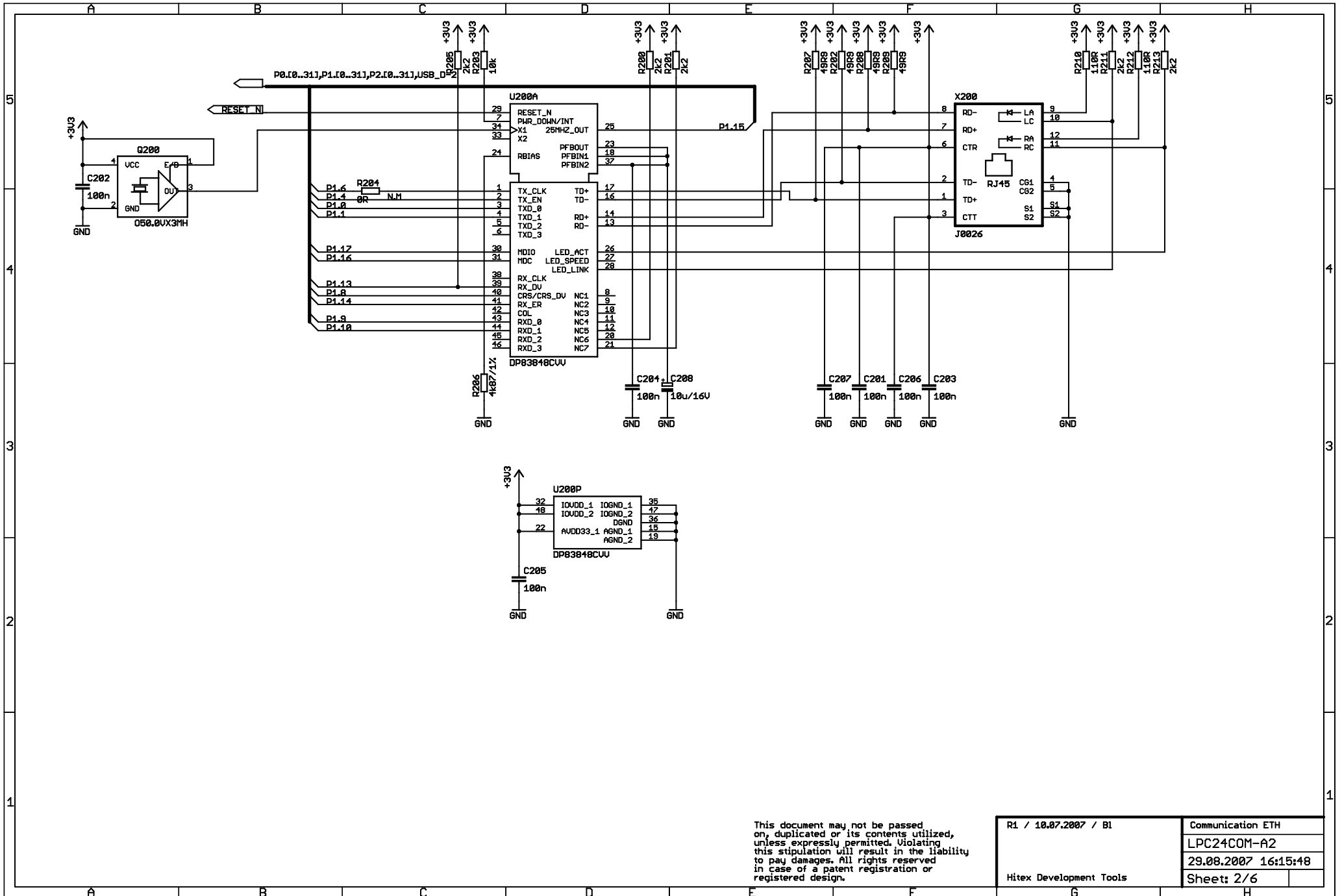
hitex
DEVELOPMENT TOOLS

Contents

LPC24COM-A2

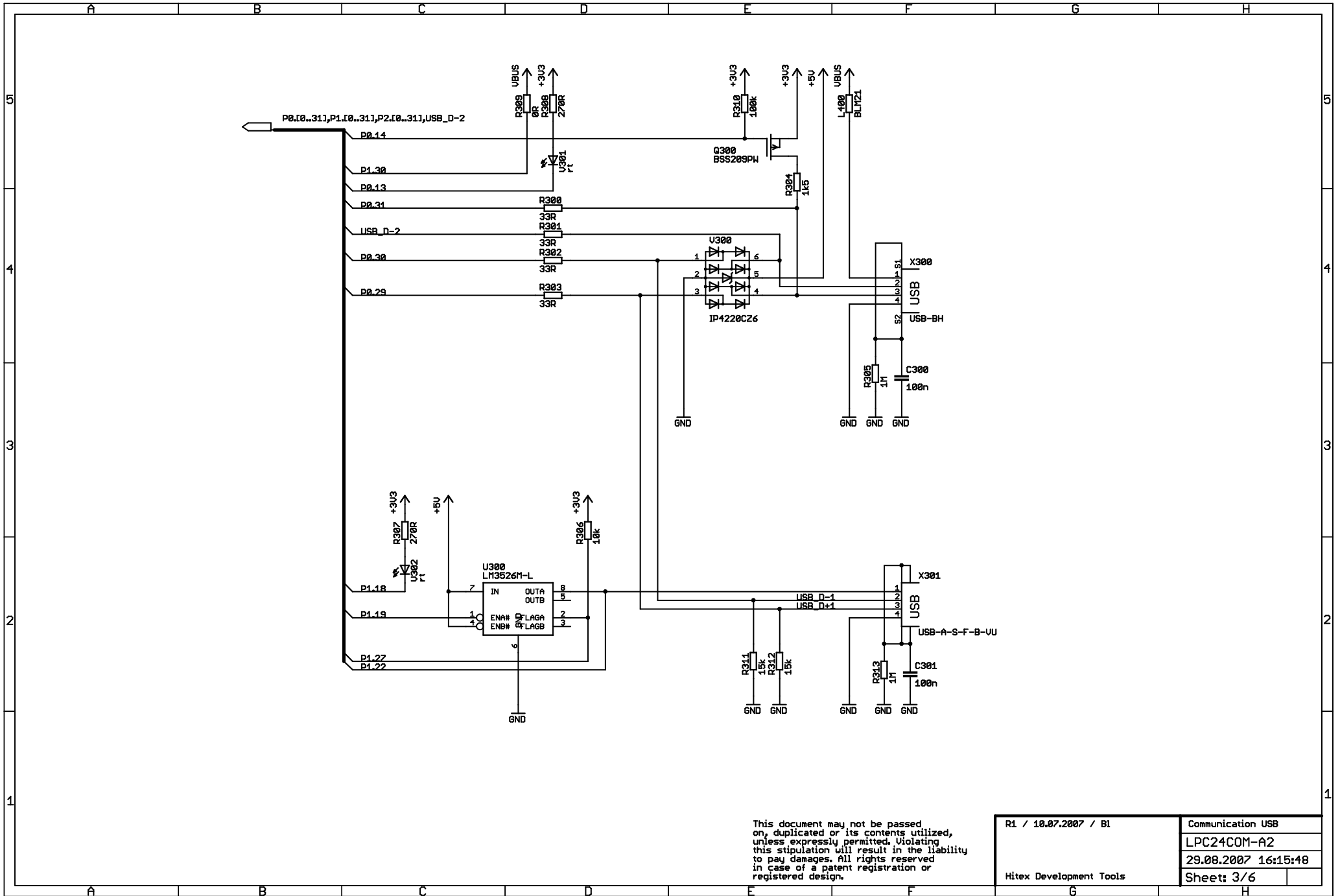
29.08.2007 16:15:48

Sheet: 1/6



This document may not be passed on, duplicated or its contents utilized, unless expressly permitted. Violating this stipulation will result in the liability to pay damages. All rights reserved in case of a patent registration or registered design.

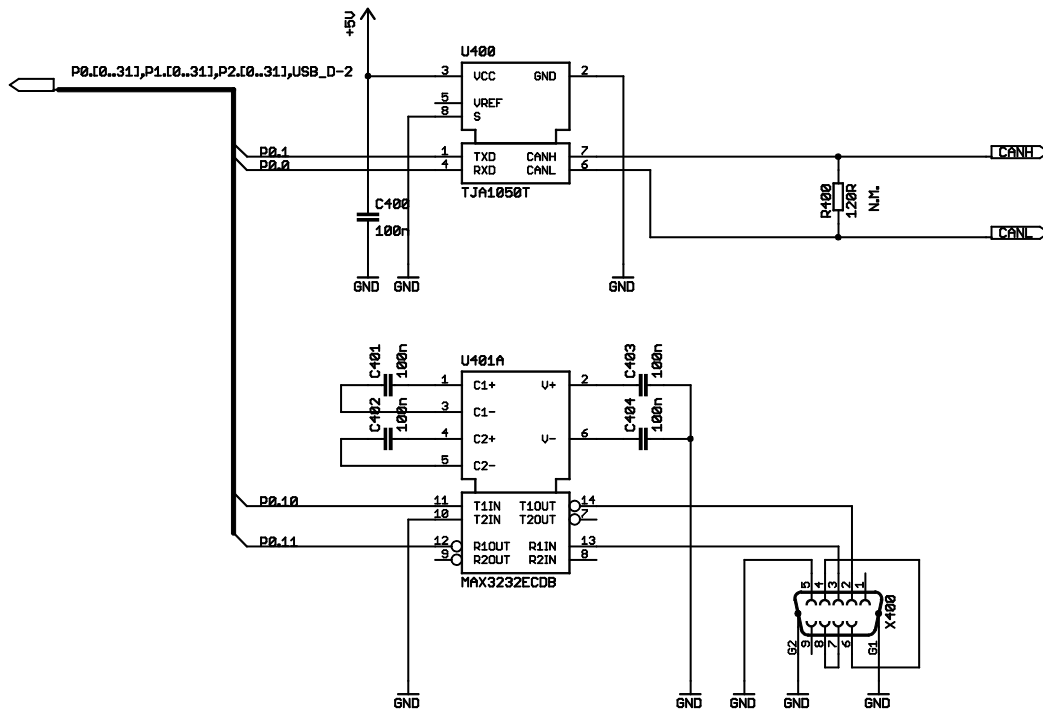
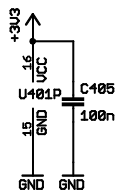
R1 / 10.07.2007 / B1	Communication ETH
	LPC24COM-A2
	29.08.2007 16:15:48
Hitex Development Tools	Sheet: 2/6



This document may not be passed on, duplicated or its contents utilized, unless expressly permitted. Violating this stipulation will result in the liability to pay damages. All rights reserved in case of a patent registration or registered design.

R1 / 10.07.2007 / B1
Hitex Development Tools

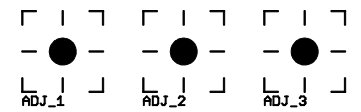
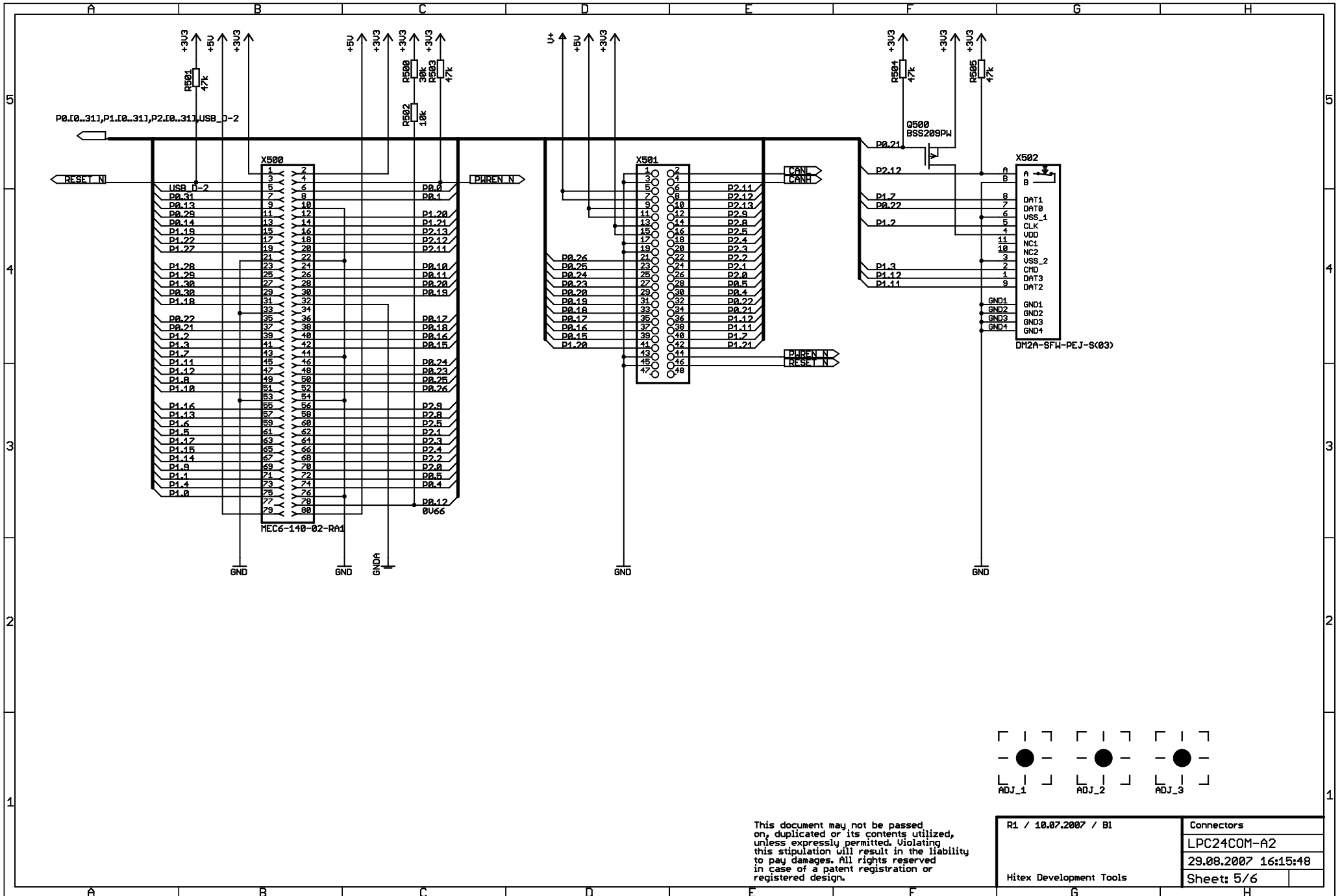
Communication USB
LPC24COM-A2
29.08.2007 16:15:48
Sheet: 3/6



This document may not be passed on, duplicated or its contents utilized, unless expressly permitted. Violating this stipulation will result in the liability to pay damages. All rights reserved in case of a patent registration or registered design.

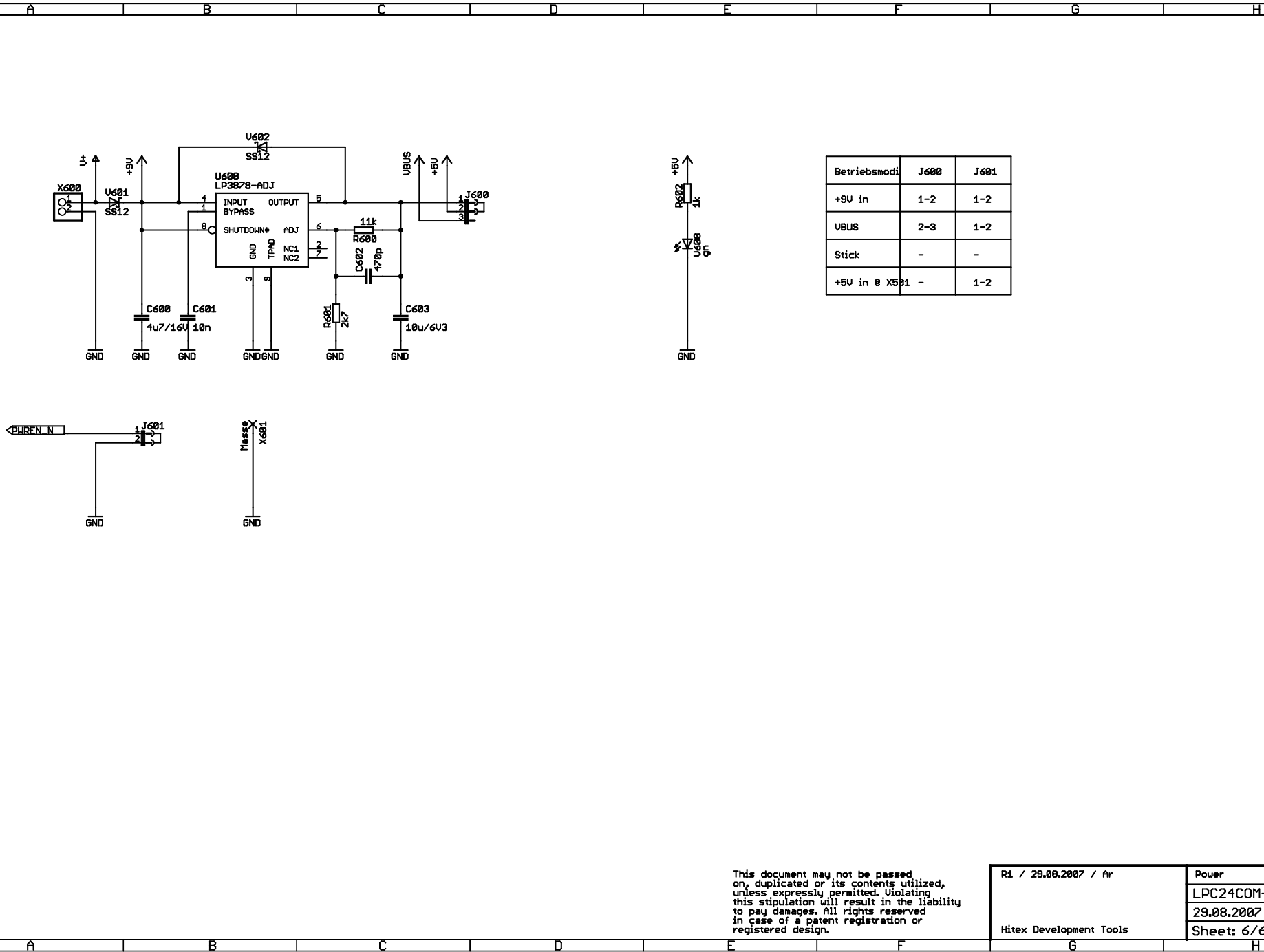
R1 / 10.07.2007 / B1
Hitex Development Tools

Communication RS232/CAN
LPC24COM-A2
29.08.2007 16:15:48
Sheet: 4/6



This document may not be passed on, duplicated or its contents utilized, unless expressly permitted. Violating this stipulation will result in the liability to pay damages. All rights reserved in case of a patent registration or registered design.

R1 / 10.07.2007 / B1	Connectors
Hitex Development Tools	LPC24COM-A2
	29.08.2007 16:15:48
	Sheet: 5/6



Betriebsmodi	J600	J601
+5V in	1-2	1-2
UBUS	2-3	1-2
Stick	-	-
+5V in @ X501	-	1-2

This document may not be passed on, duplicated or its contents utilized, unless expressly permitted. Violating this stipulation will result in the liability to pay damages. All rights reserved in case of a patent registration or registered design.

R1 / 29.08.2007 / Ar	Power
	LPC24COM-A2
	29.08.2007 16:15:48
Hitex Development Tools	Sheet: 6/6