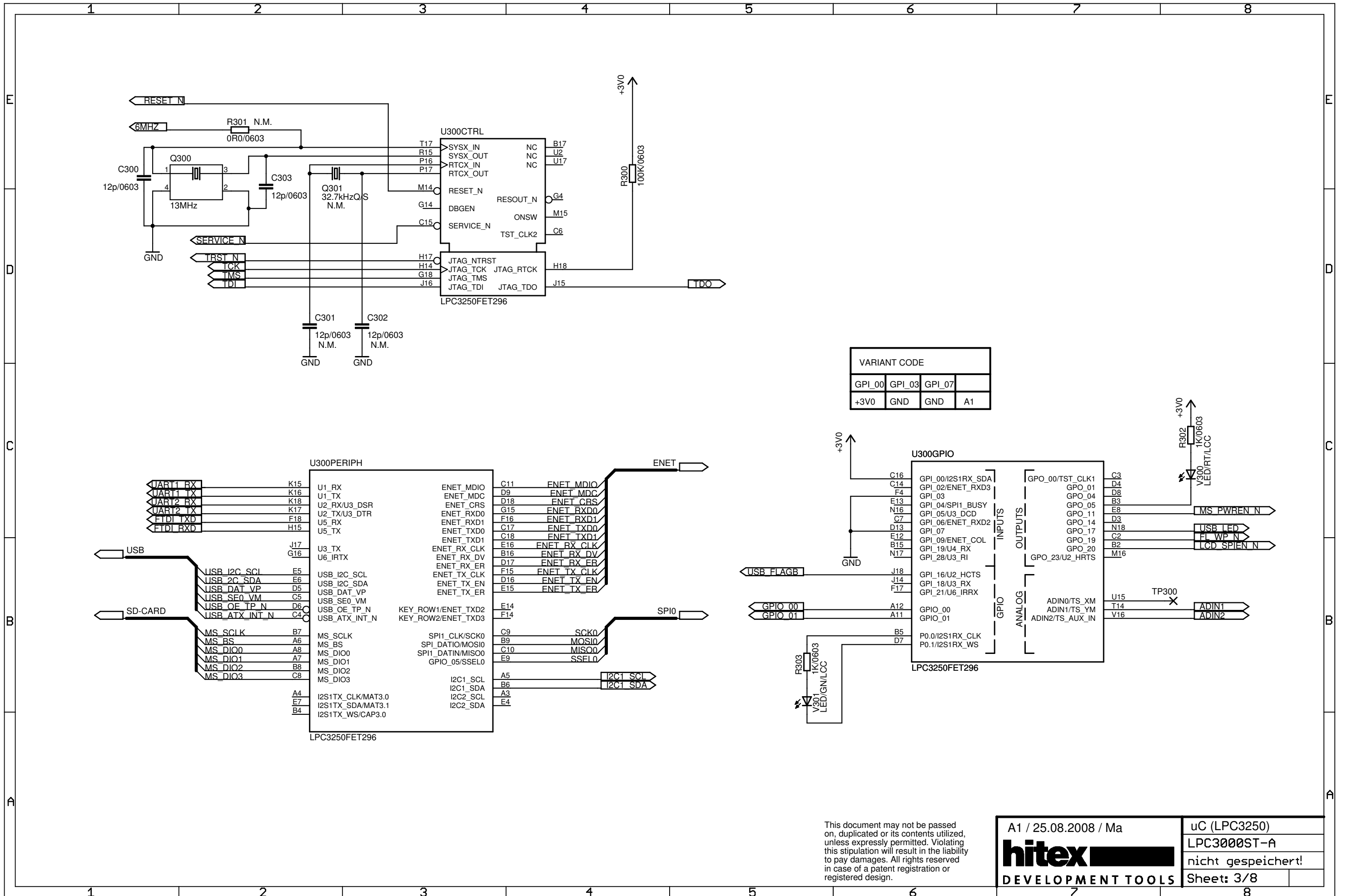


# LPC3000ST-A1

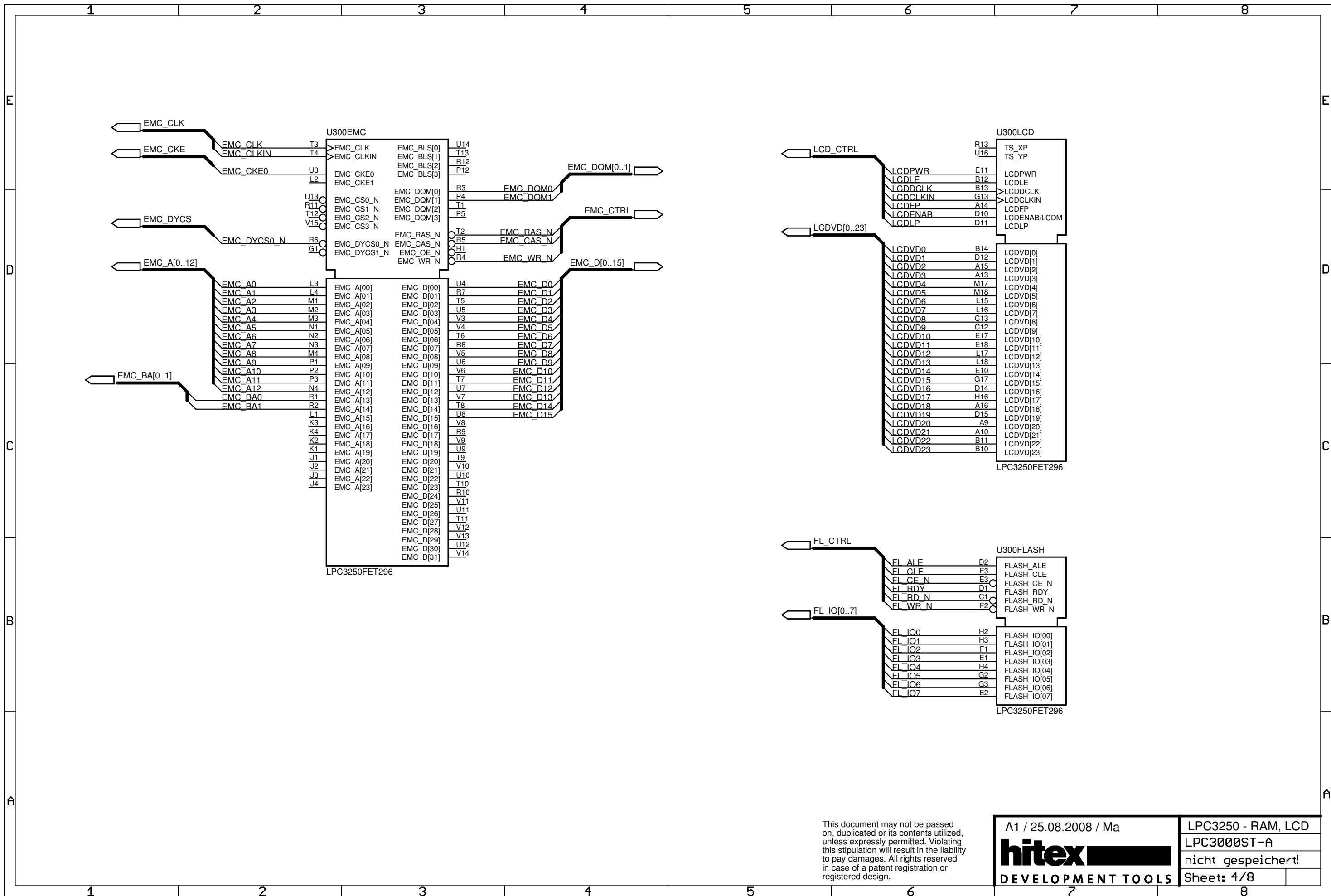
- [1] Contents
- [2] Reserved
- [3] LPC3250 - Control, Peripherals, GPIO
- [4] LPC3250 - SDRAM, LCD, NAND-Flash
- [5] LPC3250 - Power
- [6] SDRAM, NAND-Flash
- [7] User-Interface, USB-OTG-Transceiver
- [8] Power

This document may not be passed on, duplicated or its contents utilized, unless expressly permitted. Violating this stipulation will result in the liability to pay damages. All rights reserved in case of a patent registration or registered design.

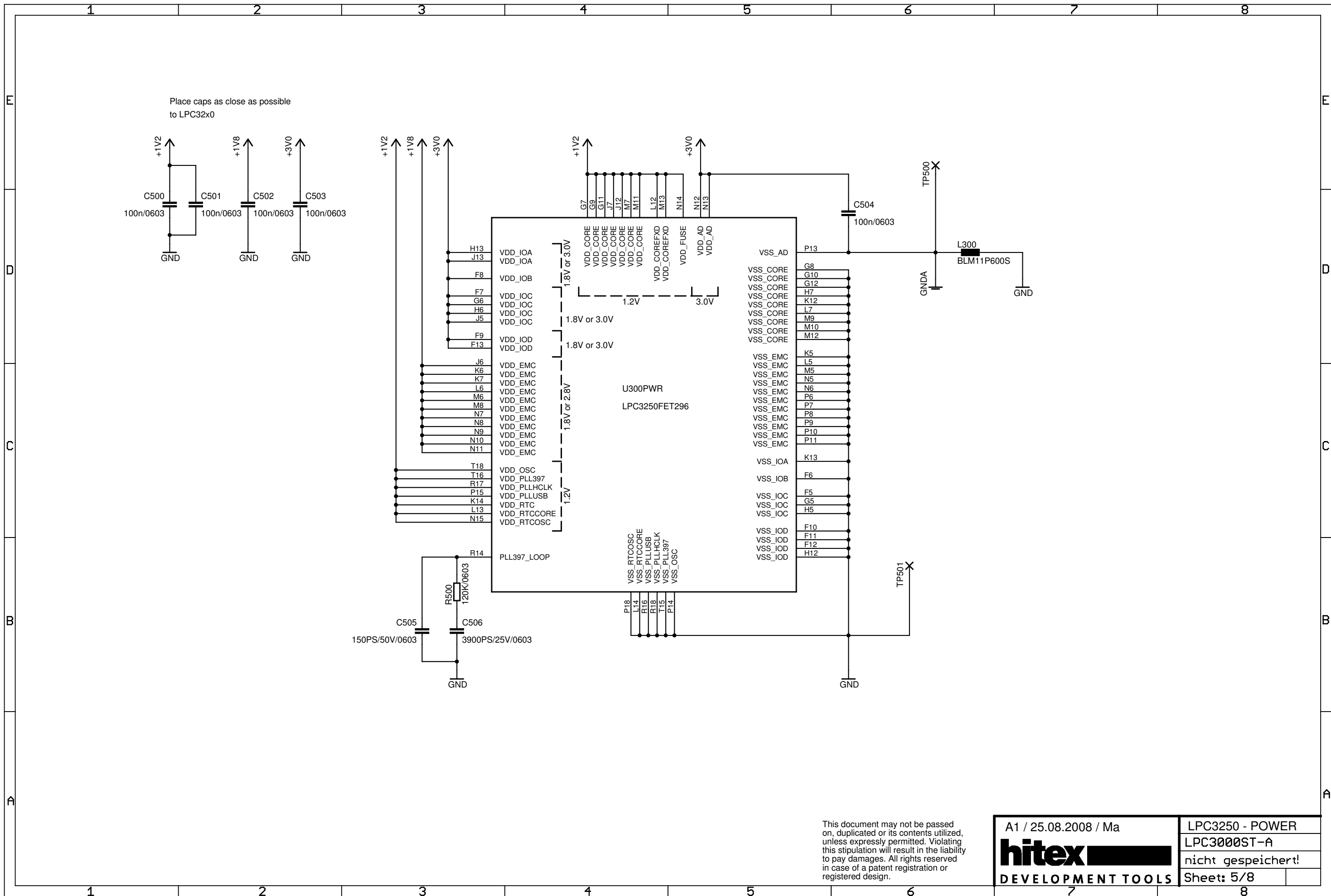
A1 / 25.08.2008 / Ma	CONTENTS
<b>hitex</b>	LPC3000ST-A
DEVELOPMENT TOOLS	nicht gespeichert!
	Sheet: 1/8



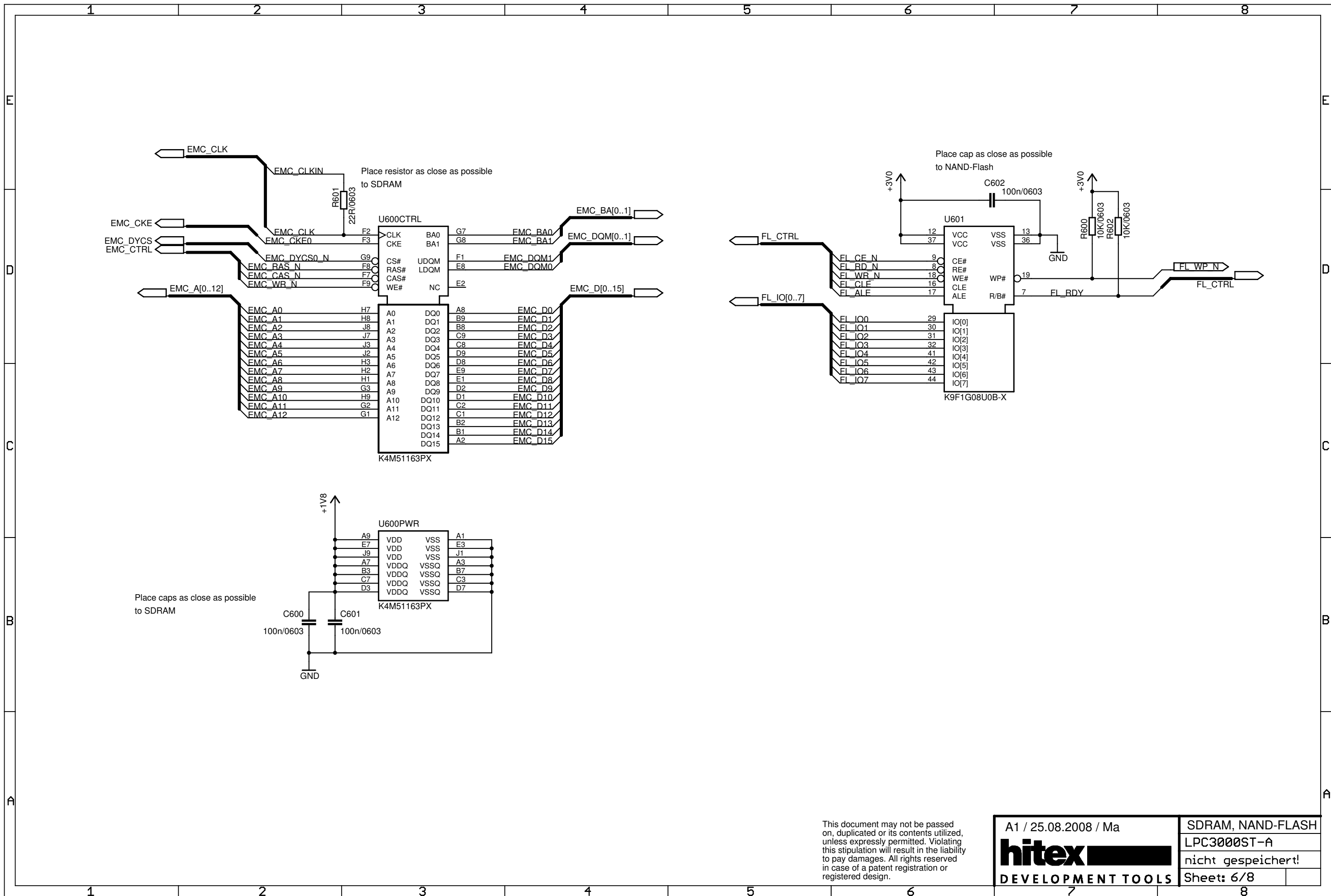
This document may not be passed on, duplicated or its contents utilized, unless expressly permitted. Violating this stipulation will result in the liability to pay damages. All rights reserved in case of a patent registration or registered design.



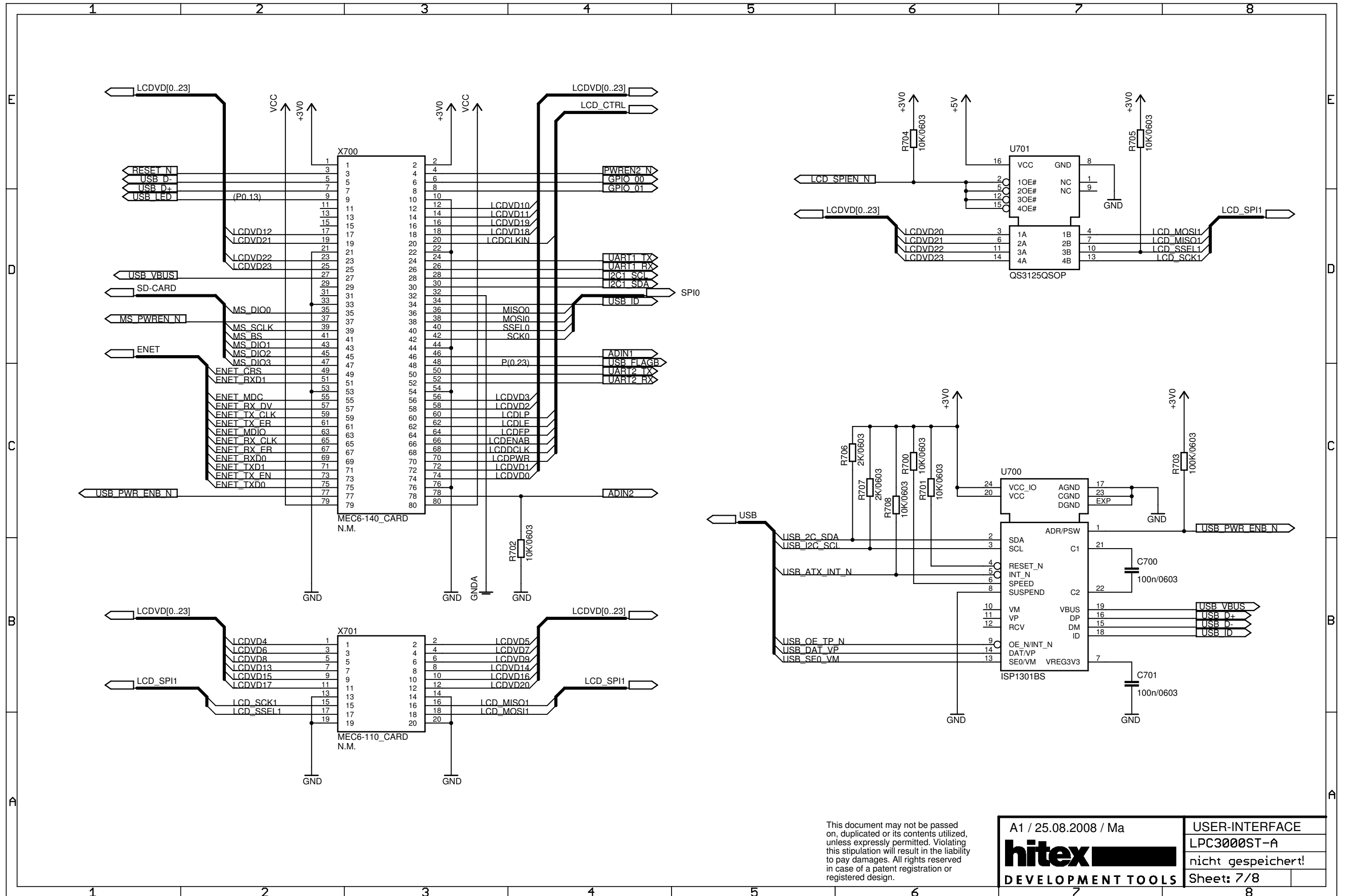
This document may not be passed on, duplicated or its contents utilized, unless expressly permitted. Violating this stipulation will result in the liability to pay damages. All rights reserved in case of a patent registration or registered design.



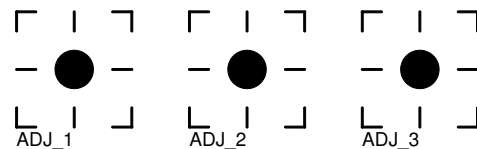
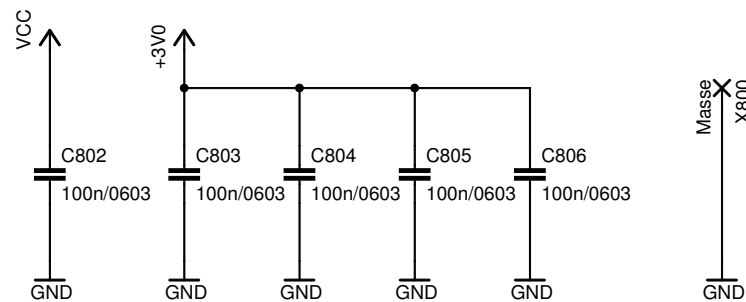
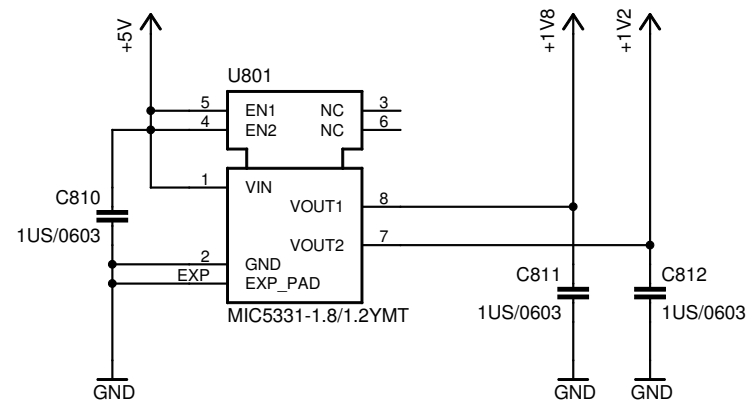
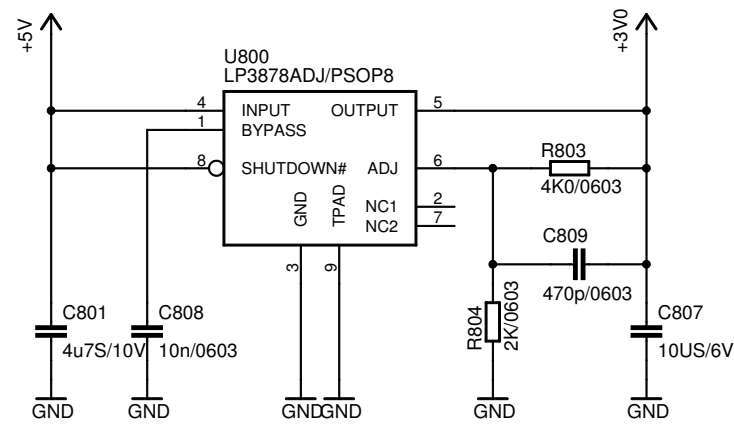
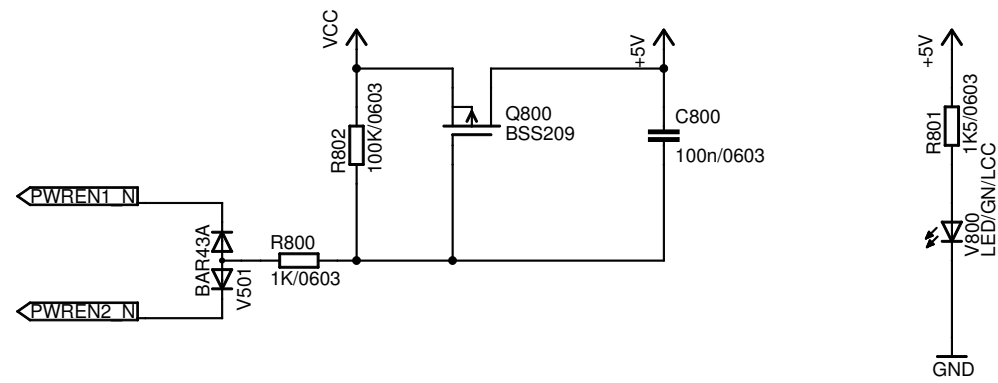
This document may not be passed on, duplicated or its contents utilized, unless expressly permitted. Violating this stipulation will result in the liability to pay damages. All rights reserved in case of a patent registration or registered design.



This document may not be passed on, duplicated or its contents utilized, unless expressly permitted. Violating this stipulation will result in the liability to pay damages. All rights reserved in case of a patent registration or registered design.



This document may not be passed on, duplicated or its contents utilized, unless expressly permitted. Violating this stipulation will result in the liability to pay damages. All rights reserved in case of a patent registration or registered design.



This document may not be passed on, duplicated or its contents utilized, unless expressly permitted. Violating this stipulation will result in the liability to pay damages. All rights reserved in case of a patent registration or registered design.

A1 / 25.08.2008 / Ma	POWER
<b>hitex</b>	LPC3000ST-A
DEVELOPMENT TOOLS	nicht gespeichert!
	Sheet: 8/8