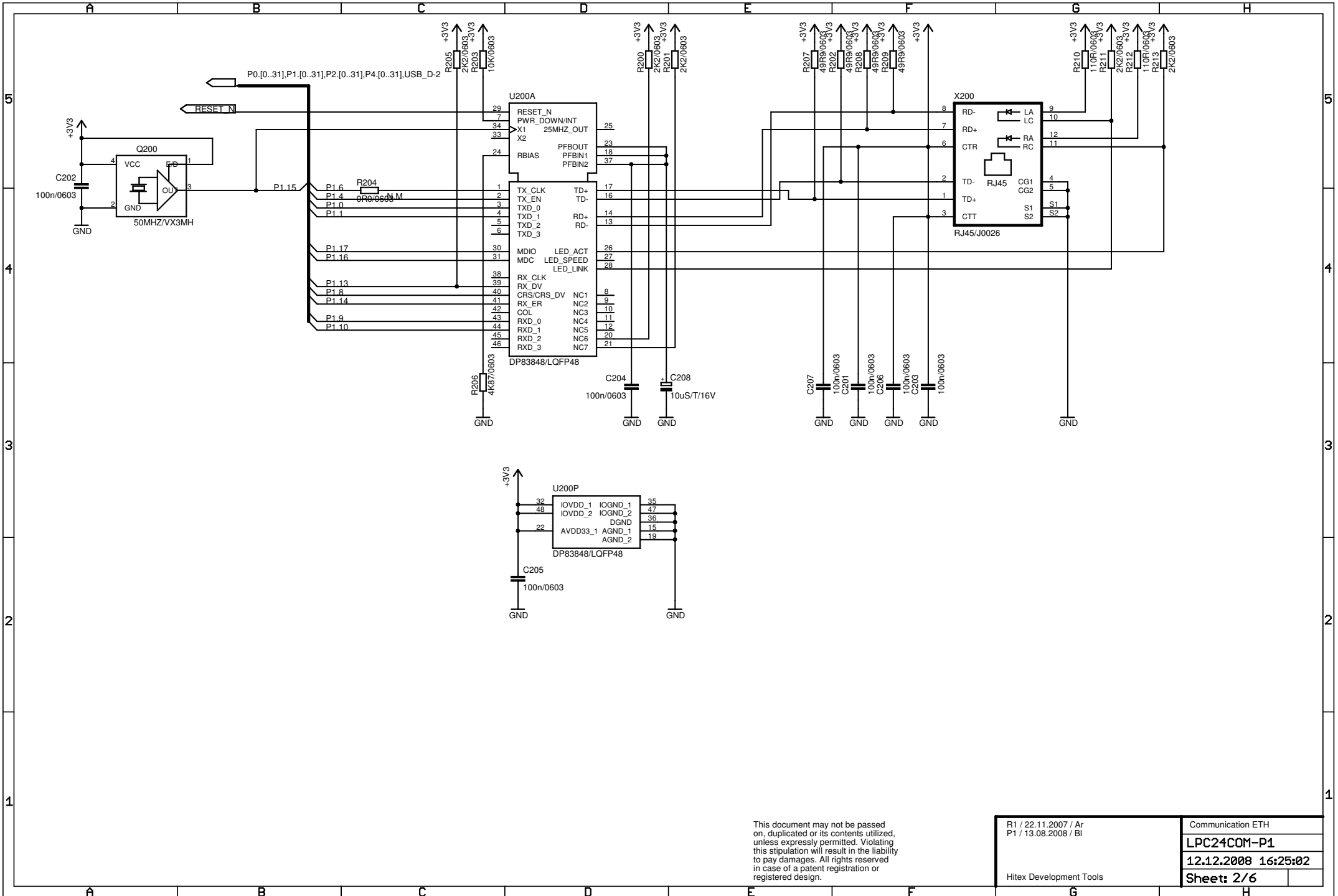


LPC24COM-P1

- [1] Contents
- [2] Communication ETH
- [3] Communication USB
- [4] Communication RS232/CAN
- [5] Connectors
- [6] Power

This document may not be passed on, duplicated or its contents utilized, unless expressly permitted. Violating this stipulation will result in the liability to pay damages. All rights reserved in case of a patent registration or registered design.

P1 / 13.08.2008 / BI	Contents
hitex	LPC24COM-P1
DEVELOPMENT TOOLS	12.12.2008 16:25:02
	Sheet: 1/6



This document may not be passed on, duplicated or its contents utilized, unless expressly permitted. Violating this stipulation will result in the liability to pay damages. All rights reserved in case of a patent registration or registered design.

R1 / 22.11.2007 / Ar
P1 / 13.08.2008 / Bi

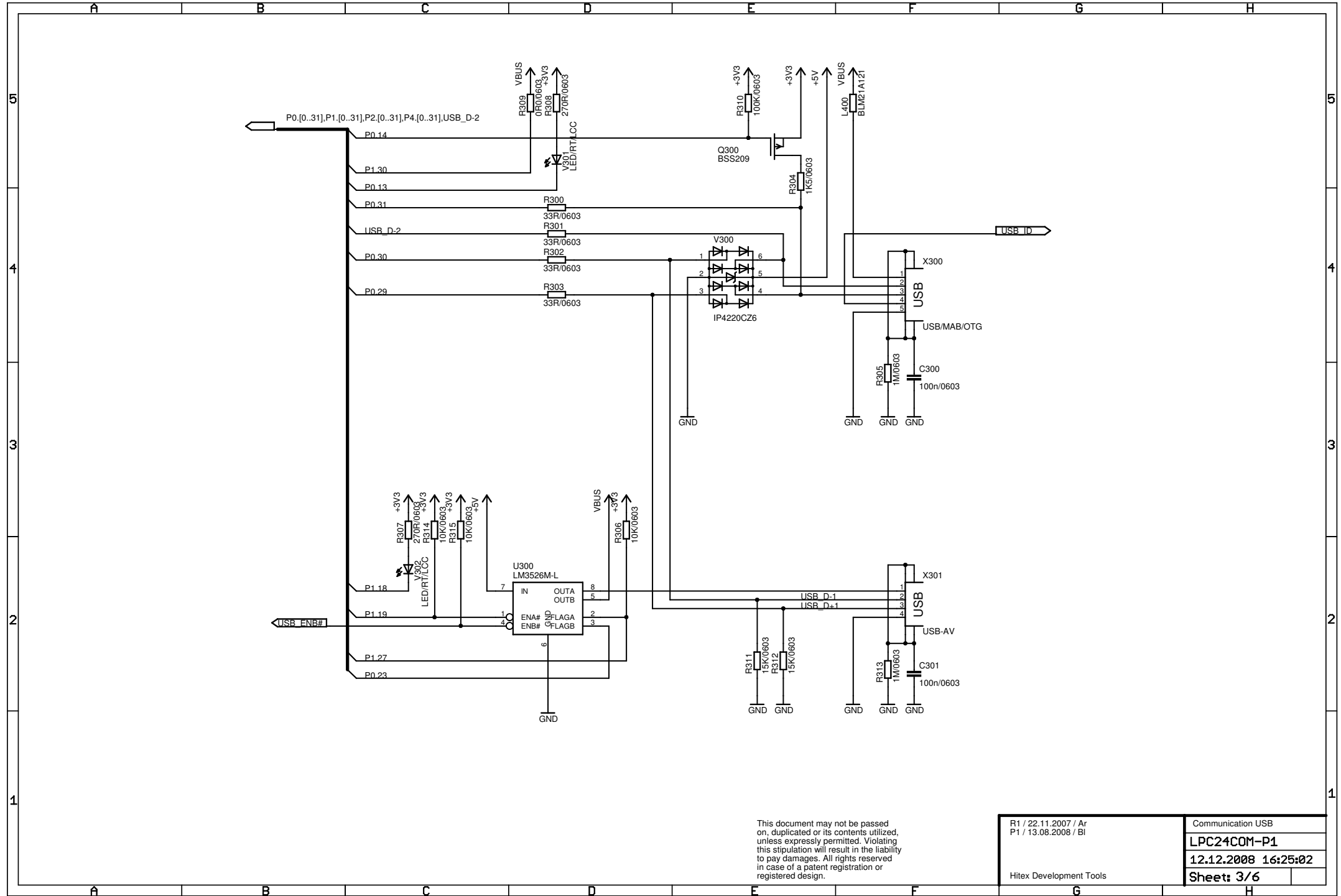
Communication ETH

LPC24COM-P1

12.12.2008 16:25:02

Hiltek Development Tools

Sheet: 2/6



This document may not be passed on, duplicated or its contents utilized, unless expressly permitted. Violating this stipulation will result in the liability to pay damages. All rights reserved in case of a patent registration or registered design.

R1 / 22.11.2007 / Ar
P1 / 13.08.2008 / BI

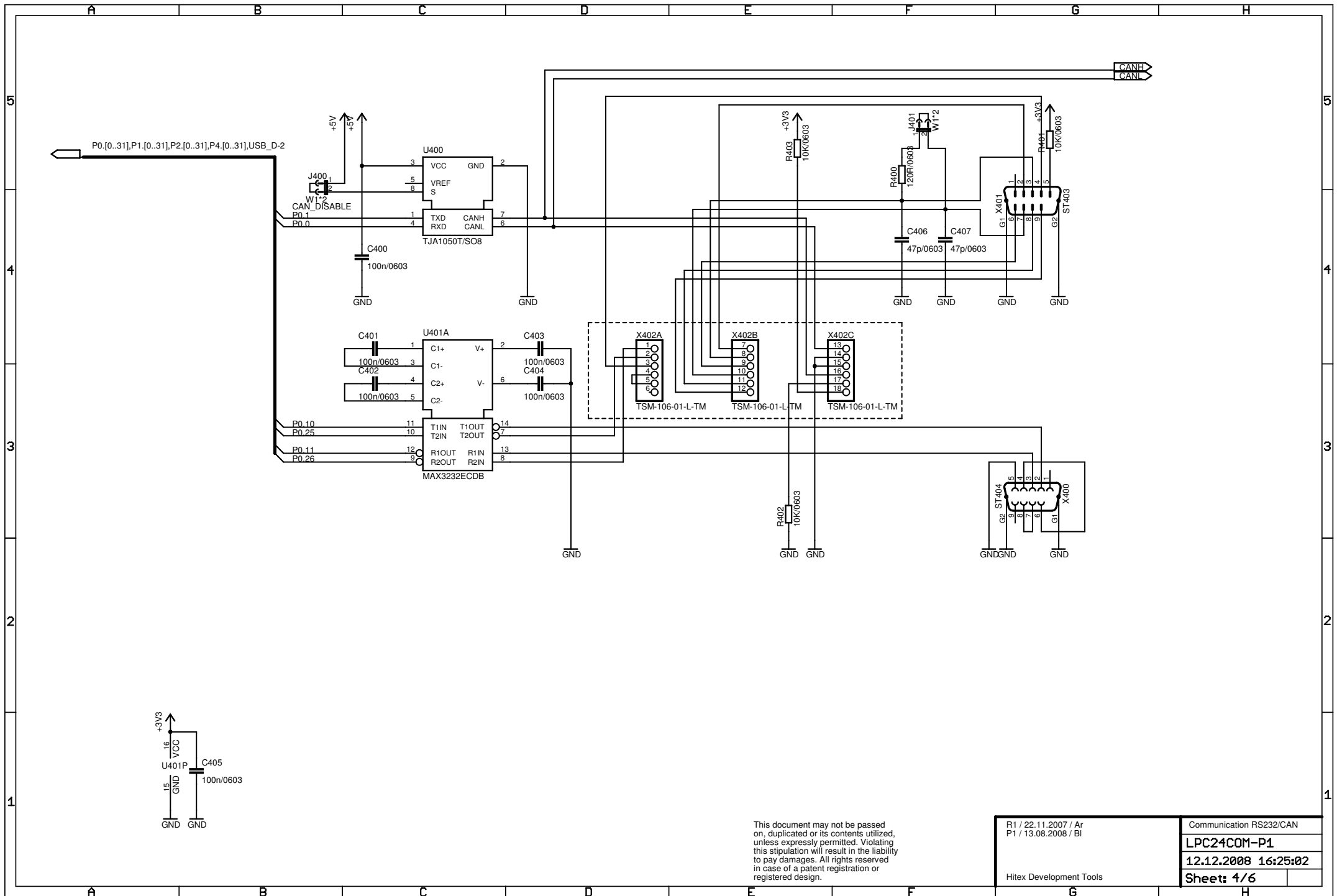
Communication USB

LPC24COM-P1

12.12.2008 16:25:02

Hilux Development Tools

Sheet: 3/6



This document may not be passed on, duplicated or its contents utilized, unless expressly permitted. Violating this stipulation will result in the liability to pay damages. All rights reserved in case of a patent registration or registered design.

R1 / 22.11.2007 / Ar
P1 / 13.08.2008 / BI

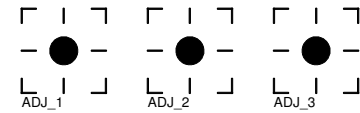
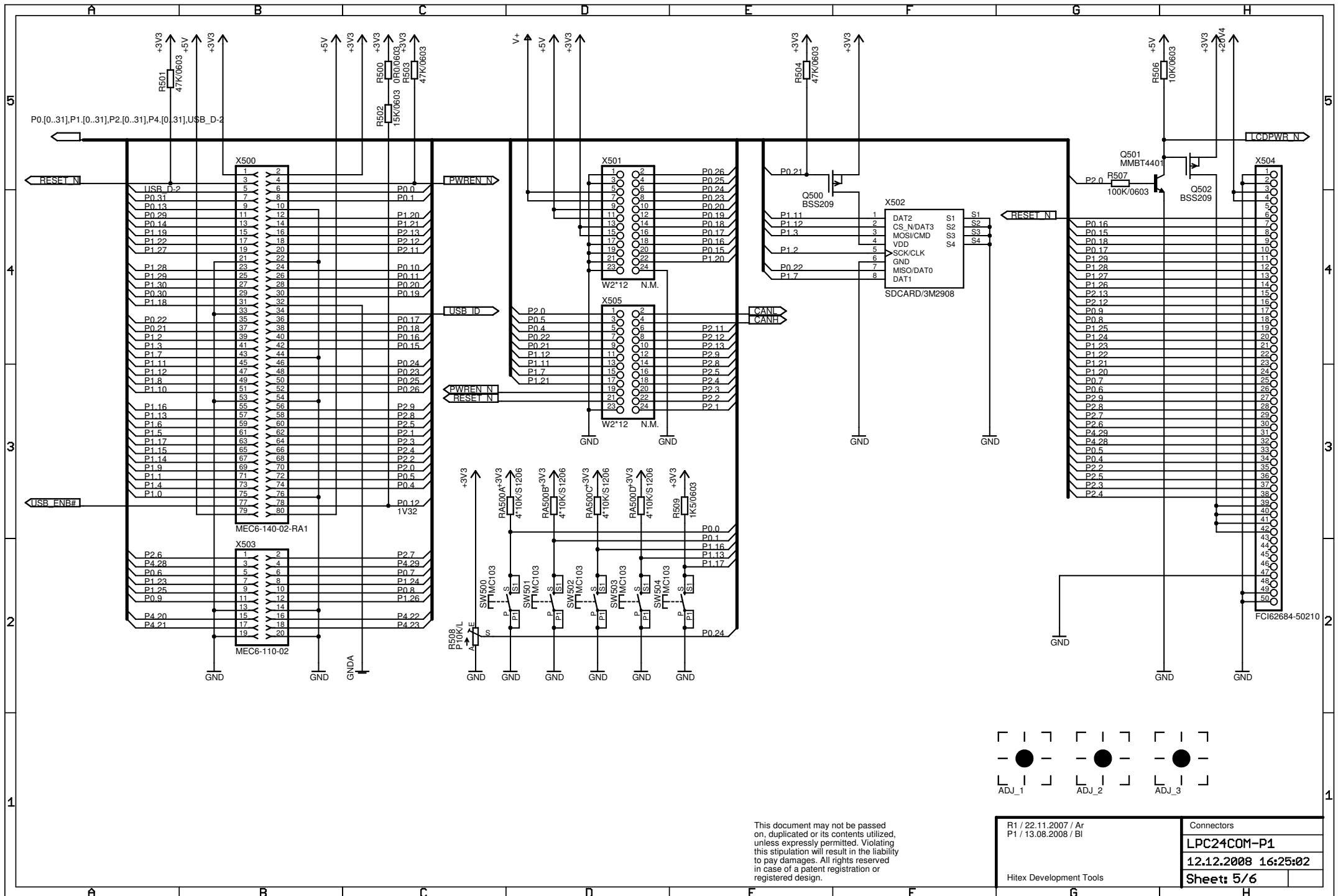
Communication RS232/CAN

LPC24COM-P1

12.12.2008 16:25:02

Hilux Development Tools

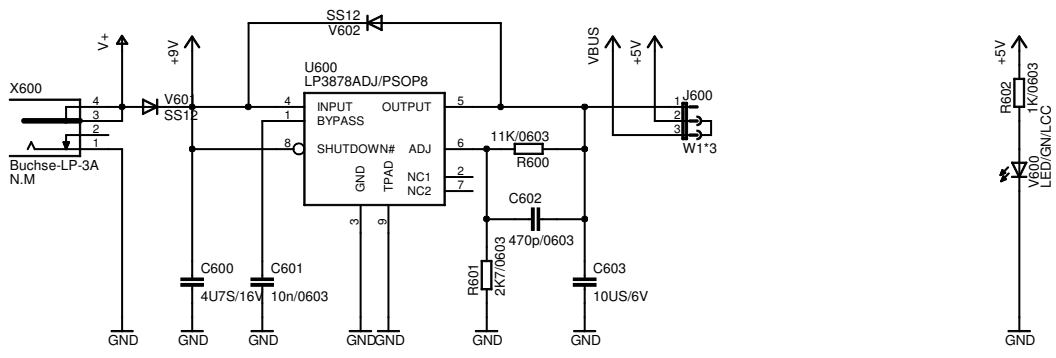
Sheet: 4/6



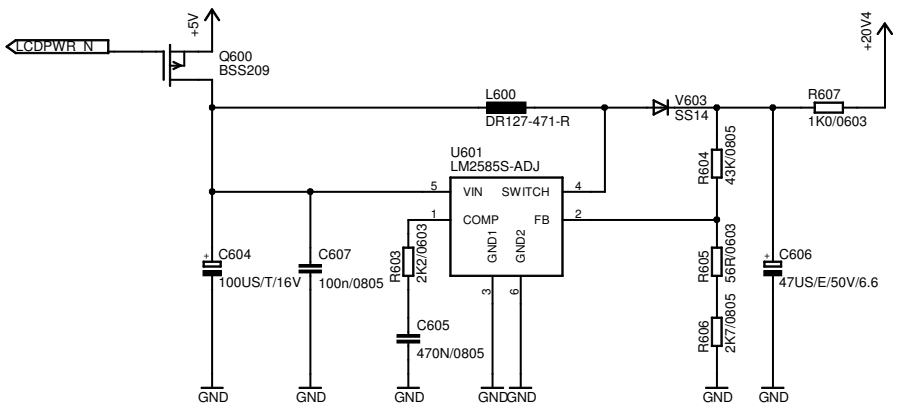
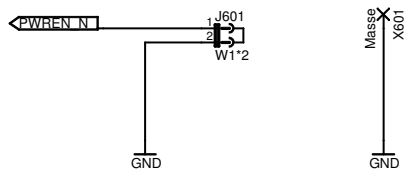
This document may not be passed on, duplicated or its contents utilized, unless expressly permitted. Violating this stipulation will result in the liability to pay damages. All rights reserved in case of a patent registration or registered design.

R1 / 22.11.2007 / Ar
P1 / 13.08.2008 / BI
Hitex Development Tools

Connectors
LPC24COM-P1
12.12.2008 16:25:02
Sheet: 5/6



Betriebsmodi	J600	J601
+9V in	1-2	1-2
VBUS	2-3	1-2
Stick	-	-
+5V in @ X501	-	1-2



This document may not be passed on, duplicated or its contents utilized, unless expressly permitted. Violating this stipulation will result in the liability to pay damages. All rights reserved in case of a patent registration or registered design.

R1 / 22.11.2007 / Ar
P1 / 13.08.2008 / BI

Power
LPC24COM-P1
12.12.2008 16:25:02
Sheet: 6/6

Hilux Development Tools